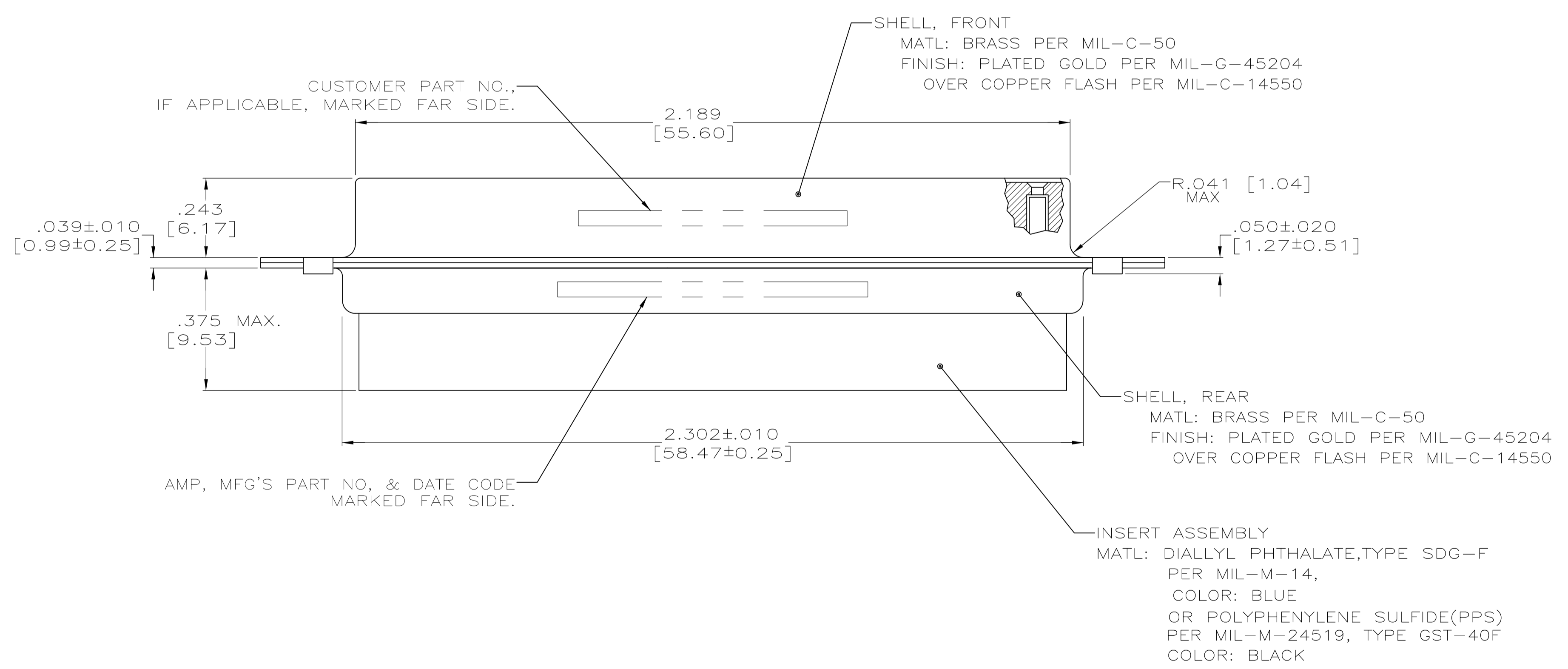
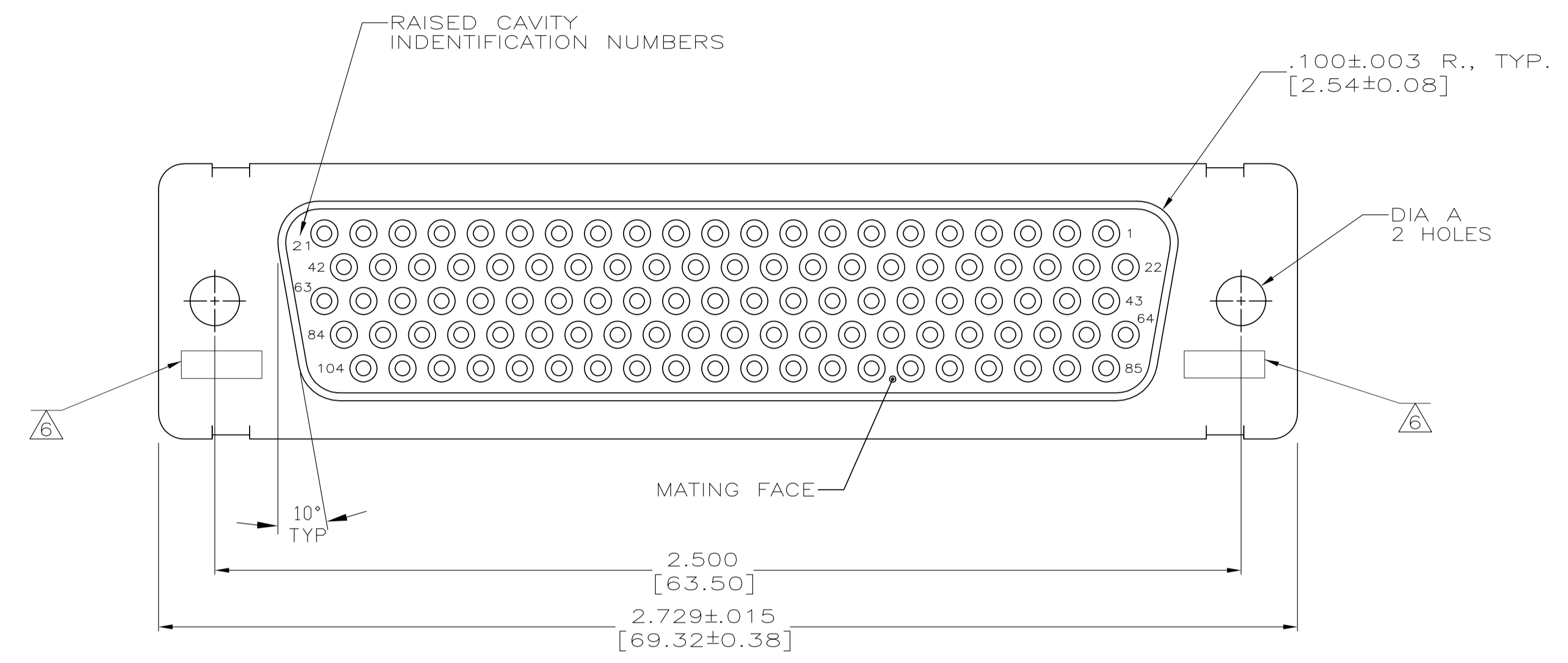
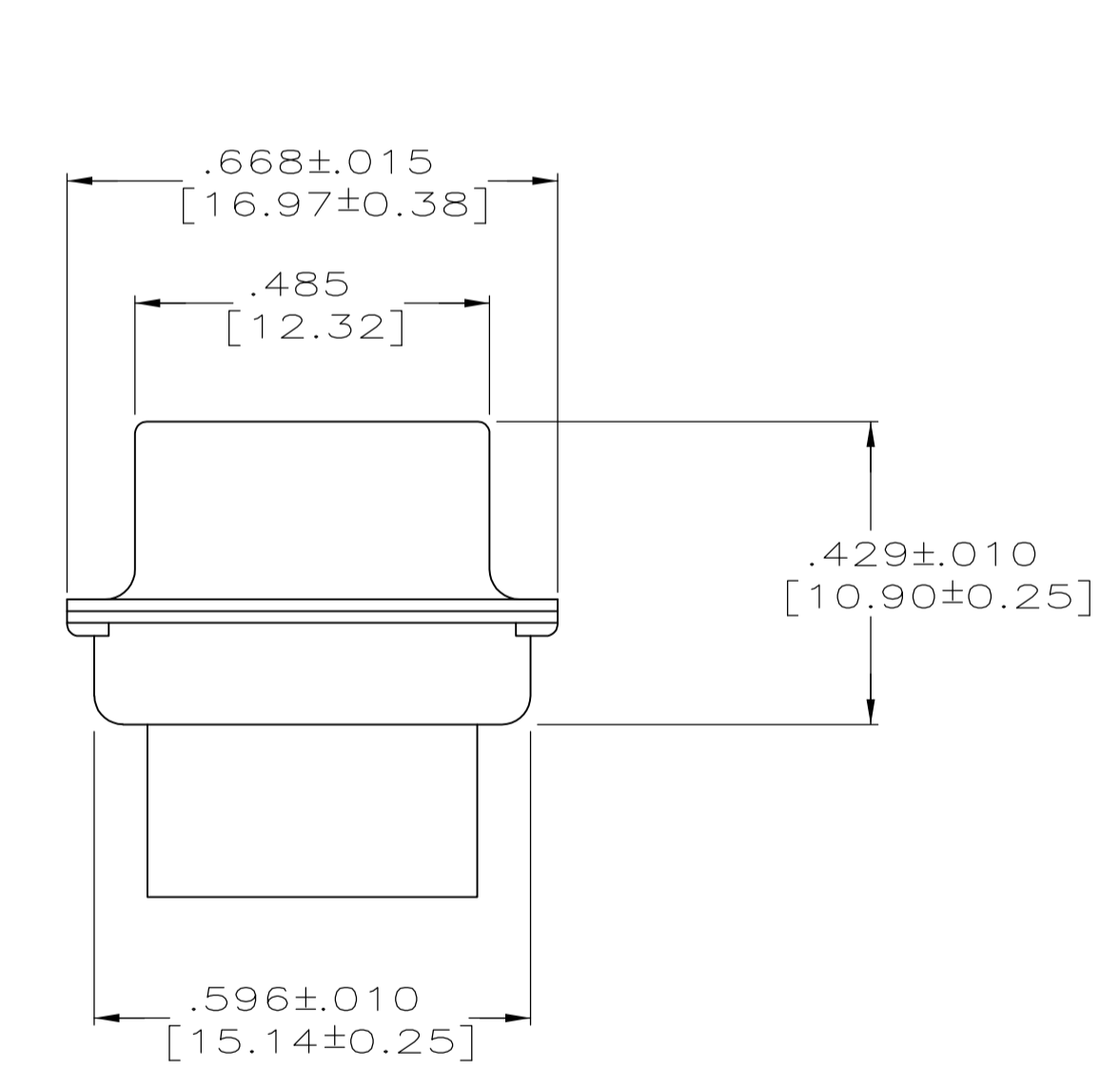


LOC		DIST		REVISIONS			
P	LTR	DESCRIPTION	DATE	DWN	APVD		
T		REV PER ECO 15-016064	11-9-15	CT	CD		



- THIS RECEPTACLE WILL MATE WITH ANY PLUG CONNECTOR WITH THE SAME INSERT ARRANGEMENT AS DEFINED BY MS14004-1.
- MAXIMUM WIRE INSULATION USED WITH THIS RCPT. IS .054 [1.37] DIA.
- Be-Cu RETENTION CLIPS ARE INCLUDED IN INSERTS.
- INSPECTION REQUIREMENTS PER R4383.
- CONNECTOR SUPPLIED WITH 115 CONTACTS, AMP PART NUMBER 206071-1. INSPECTION REQUIREMENTS PER R4383 WITHOUT TESTS FOR HIGH ALTITUDE DIELECTRIC WITHSTANDING VOLTAGE AS CALLED FOR IN TABLE II SCREENING AND TESTING.
- UL/CSA DESIGNATION STAMPED IN THIS AREA, OPTIONAL.
- SPECIAL TESTING PER GE DOCUMENT 20025720. CONNECTOR SUPPLIED WITH 114 CONTACTS, AMP P/N 206071-1.
- RESTRICTED TO CAE ELECTRONICS ONLY.
- THESE CONNECTORS ARE QUALIFIED TO GODDARD SPACE FLIGHT CENTER SPECIFICATION S-311-P-4.



AMP P/N 206071-1
GSFC P/N G-08-S1
(SUPPLIED WITH 206064-6 AND 206064-7 ONLY)

8	.120 [3.05]	570566-6	206065-9	206065-9
9	.120 [3.05]	311P407-6S-B-12	206065-4	206065-8
7	.120 [3.05]	20025720P1104S	206065-7	206065-7
5	.120 [3.05]	R4383P104S	206065-6	206065-6
4	.120 [3.05]	R4383P104S-2	206065-5	206065-5
9	.120 [3.05]	311P407-6S-B-12	206065-4	206065-4
	.154 [3.91]	---	206065-3	206065-3
9	.154 [3.91]	311P407-6S-B-15	206065-2	206065-2
	.120 [3.05]	R9259P104S	206065-1	206065-1

REMARKS	DIA A	CUSTOMER P/N ON CONNECTOR	AMP P/N ON CONNECTOR	PART NO.
THIS DRAWING IS A CONTROLLED DOCUMENT.				
DIMENSIONS: INCHES		TOLERANCES UNLESS OTHERWISE SPECIFIED:		
		0 PLC ± - 1 PLC ± - 2 PLC ± - 3 PLC ± .005 [0.13] 4 PLC ± - # 0.30° ANGLES ± - # 0.30°		
MATERIAL: SEE CALLOUTS		FINISH: SEE CALLOUTS		
THIS DRAWING IS A CONTROLLED DOCUMENT. S. GLATFELTER 11-10-88 C. F. A. McDOUGLE 11-10-88 E. McDOUGLE 11-10-88		TE Connectivity NAME: AMPLIMITE NONMAGNETIC RECEPTACLE ASSEMBLY, SERIES 90, SHELL SIZE 6, 104 POSITION APPLICATION SPEC: --- SIZE: A1 CAGE CODE: 00779 DRAWING NO: 206065 WEIGHT: --- CUSTOMER DRAWING		
SCALE: 4:1		SHEET: 1 OF 1		REV: T

X-ON Electronics

Largest Supplier of Electrical and Electronic Components

Click to view similar products for [D-Sub High Density Connectors](#) category:

Click to view products by [TE Connectivity](#) manufacturer:

Other Similar products are found below :

[1484349-1](#) [163A16769X](#) [163A16809X](#) [163A17089X](#) [164A17199X](#) [164A17209X](#) [164A17479X](#) [164A18209X](#) [17BH-044S-AA110](#) [K86X-AD-26S](#) [KF66X-E15P-N](#) [241A17320X](#) [242A25680X](#) [242A25740X](#) [L717HDB44POL2R210](#) [L717HDCH62POL2RM5](#) [L717HDEH15POL2L777HDE15P](#) [L77HDC62S](#) [163A16599X](#) [163A16779X](#) [163A16839X](#) [163A17079X](#) [164A17309X](#) [164A17329X](#) [164A18219X](#) [241A16440X](#) [241A16550X](#) [241A16680X](#) [241A17390X](#) [241A20810X](#) [241A25740X](#) [CT25-44P](#) [K66X-E15S-N30](#) [K86X-BA-44S](#) [K86X-ED-15S-BR15](#) [K86X-ED-15SK](#) [L177HDE15SOL2RM23](#) [L177HRC62S](#) [L177HRC62SVFM](#) [L177HRCG62S](#) [L717HDBH44POL2RM5](#) [L717HDEG15POL2RM5](#) [L77HDA26SVF](#) [L77HDE15SD1CO](#) [L77HDEH15SOL2RM832](#) [443895-3](#) [106698-1](#) [5529599](#) [280-012K2C](#)