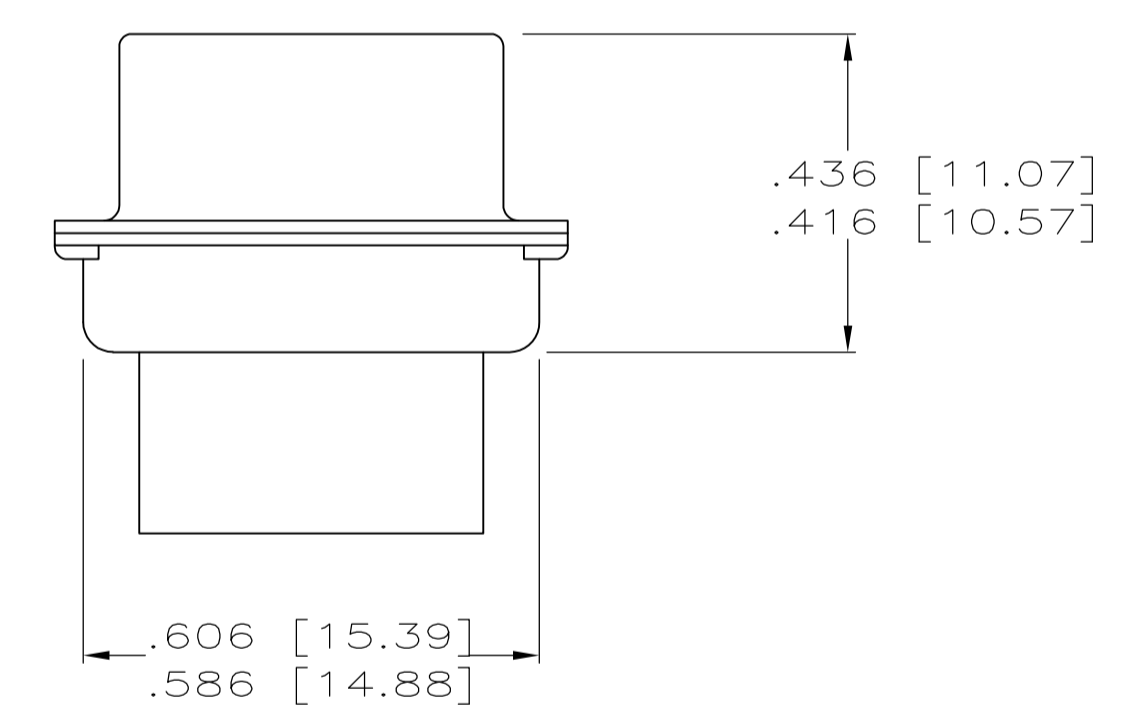
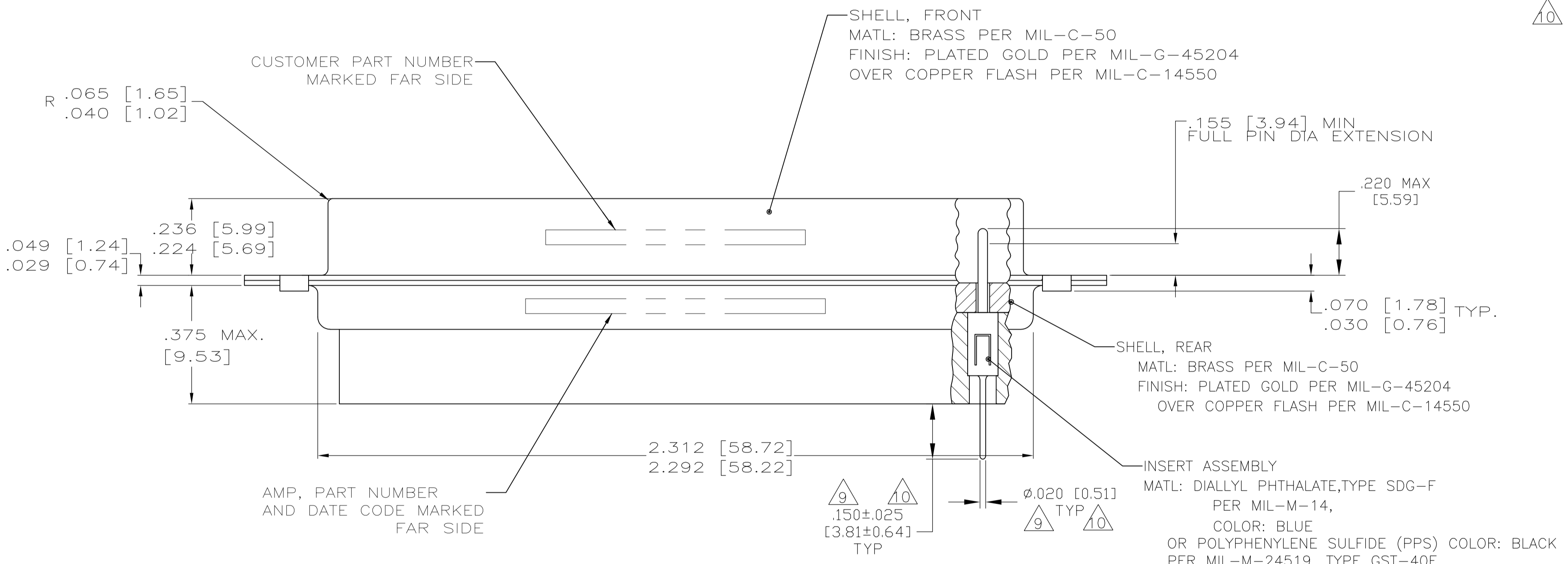


- THIS PLUG WILL MATE WITH ANY RECEPTACLE CONNECTOR WITH THE SAME INSERT ARRANGEMENT AS DEFINED BY MS14004-1.
 - MAXIMUM WIRE INSULATION USED WITH THIS PLUG IS .054 DIA.
 - Be-Cu RETENTION CLIPS ARE INCLUDED IN INSERTS.
- △4 THESE CONNECTORS ARE QUALIFIED TO GODDARD SPACE FLIGHT CENTER SPECIFICATION S-311-P-4.
 - △5 INSPECTION REQUIREMENTS PER R4383.
 - △6 CONNECTOR SUPPLIED WITH 115 CONTACTS, PART NUMBER 204370-8. INSPECTION REQUIREMENTS PER R4383 WITHOUT TESTS FOR HIGH ALTITUDE DIELECTRIC WITHSTANDING VOLTAGE AS CALLED FOR IN TABLE II SCREENING AND TESTING.
 - △7 UL/CSA DESIGNATION STAMPED IN THIS AREA, OPTIONAL.
 - △8 RESTRICTED TO CAE ELECTRONICS ONLY.
 - △9 CONNECTOR LOADED WITH POSTED CONTACTS, INSPECTION REQUIREMENTS PER GENERAL ELECTRIC DOCUMENT 20025720
 - △10 CONNECTOR LOADED WITH POSTED CONTACTS, INSPECTION REQUIREMENTS PER LOCKHEED MARTIN DOCUMENT 20131204.



NUMBER 204370-8
GSFC PART NUMBER G-08-P1
(SUPPLIED WITH 206066-7
AND 1-206066-0 ONLY)

REMARKS	DIA A	MARKED CUSTOMER P/N	MARKED P/N	PART NUMBER
△10	.120 [3.05]	20131204P2104P	1-206066-5	1-206066-5
	.120 [3.05]	570566-12	1-206066-4	1-206066-4
△9	.120 [3.05]	20025720P2104P	1-206066-0	1-206066-2
△4/△8	.120 [3.05]	311P407-6P-B-12	206066-4	1-206066-1
	.120 [3.05]	20025720P1104P	1-206066-0	1-206066-0
	.120 [3.05]	1622251-001	206066-9	206066-9
	.120 [3.05]	7636-11	206066-8	206066-8
△6	.120 [3.05]	R4383P104P	206066-7	206066-7
△5	.120 [3.05]	R4383P104P-2	206066-6	206066-6
	.120 [3.05]	SC81D139-056	206066-5	206066-5
△4	.120 [3.05]	311P407-6P-B-12	206066-4	206066-4
	.154 [3.91]		206066-3	206066-3
△4	.154 [3.91]	311P407-6P-B-15	206066-2	206066-2
	.120 [3.05]	R9259P104P	206066-1	206066-1

THIS DRAWING IS A CONTROLLED DOCUMENT.

DMN: S. GLATFELTER 1-29-88
CHK: F.C. BALLEW III 2-1-88

APVD: F. BALLEW III 2-1-88

NAME: PLUG, PIN CONTACTS
HI-DENSITY HDD SERIES
HI-DENSITY HDD SERIES

SIZE: A1
SCALE: 4:1
SHEET: 1 OF 1
REV: AA

CUSTOMER DRAWING

X-ON Electronics

Largest Supplier of Electrical and Electronic Components

Click to view similar products for [D-Sub High Density Connectors](#) category:

Click to view products by [TE Connectivity](#) manufacturer:

Other Similar products are found below :

[1484349-1](#) [163A16769X](#) [163A16809X](#) [163A17089X](#) [164A17199X](#) [164A17209X](#) [164A17479X](#) [164A18209X](#) [17BH-044S-AA110](#) [K86X-AD-26S](#) [KF66X-E15P-N](#) [241A17320X](#) [242A25680X](#) [242A25740X](#) [L717HDB44POL2R210](#) [L717HDCH62POL2RM5](#) [L717HDEH15POL2L777HDE15P](#) [L77HDC62S](#) [163A16599X](#) [163A16779X](#) [163A16839X](#) [163A17079X](#) [164A17309X](#) [164A17329X](#) [164A18219X](#) [241A16440X](#) [241A16550X](#) [241A16680X](#) [241A17390X](#) [241A20810X](#) [241A25740X](#) [CT25-44P](#) [K66X-E15S-N30](#) [K86X-BA-44S](#) [K86X-ED-15S-BR15](#) [K86X-ED-15SK](#) [L177HDE15SOL2RM23](#) [L177HRC62S](#) [L177HRC62SVFM](#) [L177HRCG62S](#) [L717HDBH44POL2RM5](#) [L717HDEG15POL2RM5](#) [L77HDA26SVF](#) [L77HDE15SD1CO](#) [L77HDEH15SOL2RM832](#) [443895-3](#) [106698-1](#) [5529599](#) [280-012K2C](#)