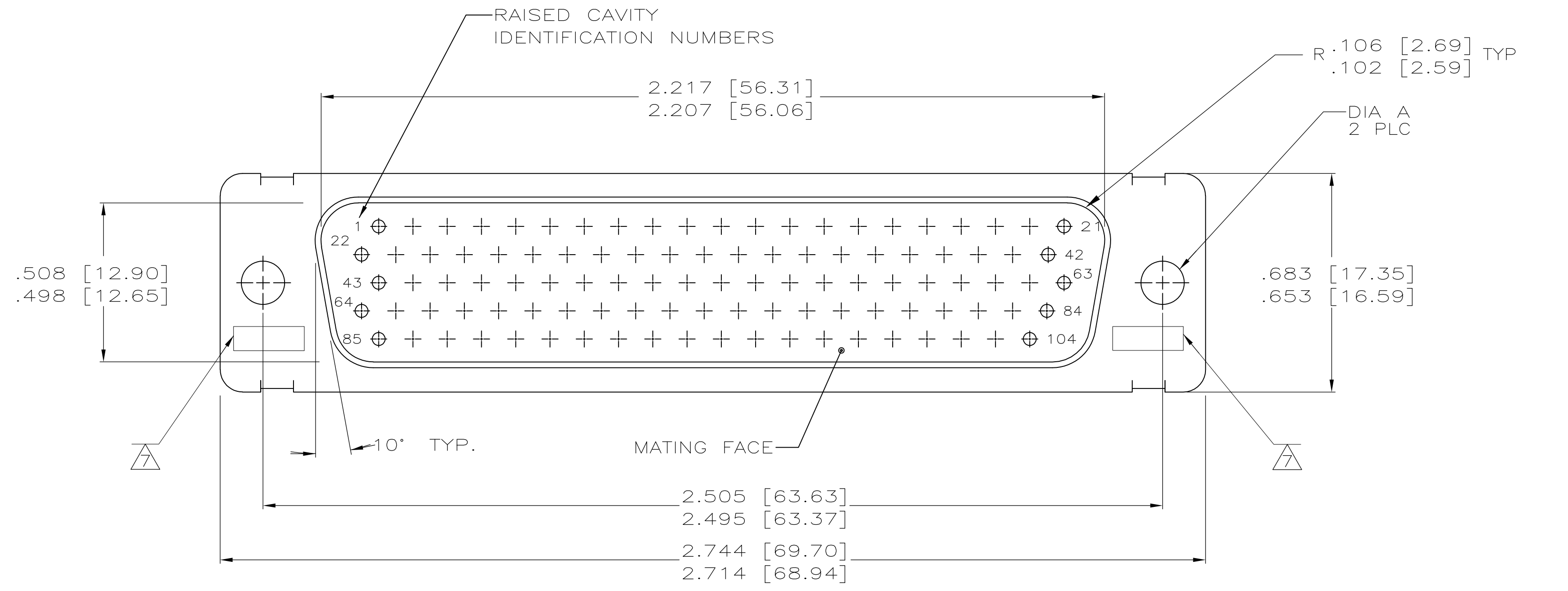
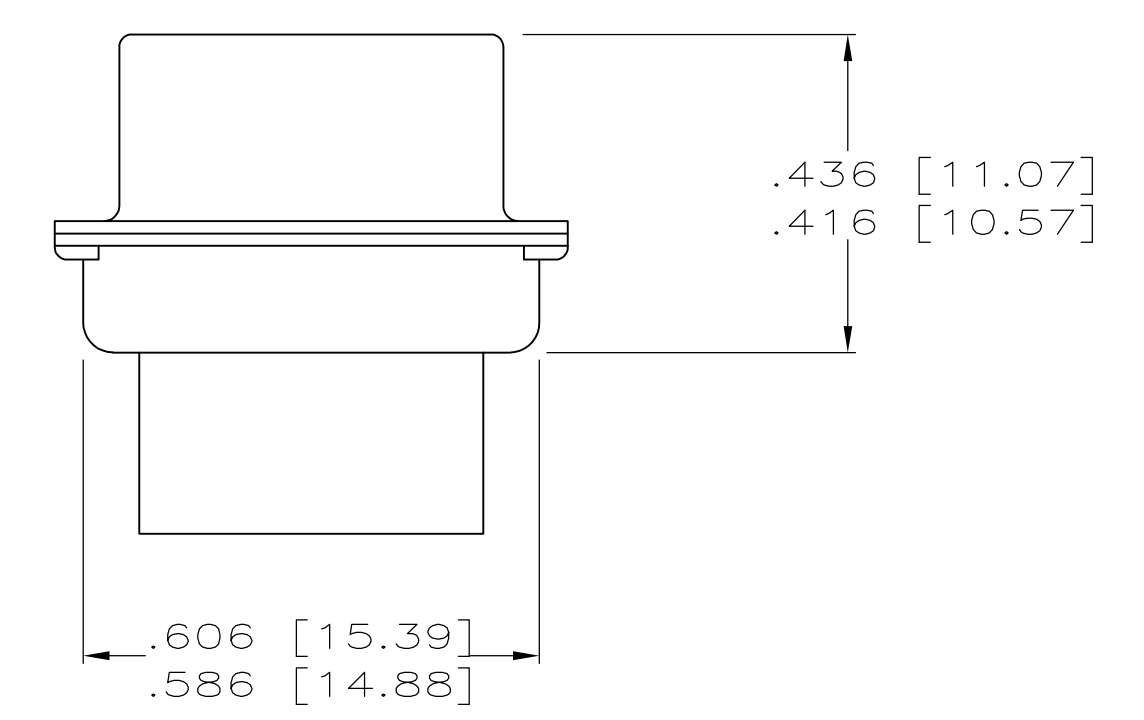
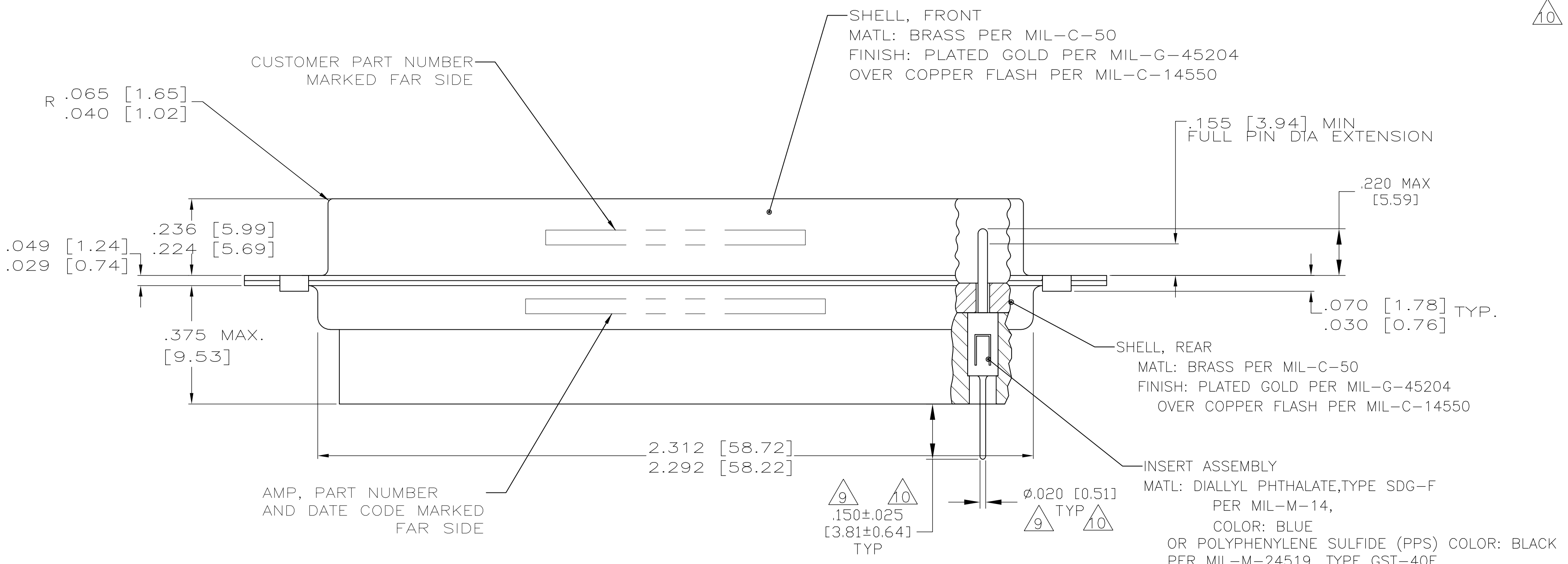


LOC		DIST		REVISIONS			
P	LTR	DESCRIPTION	DATE	DN	APVD	CT	CD
AA	REV PER ECO	15-016064	11-9-15	CT	CD		



- THIS PLUG WILL MATE WITH ANY RECEPTACLE CONNECTOR WITH THE SAME INSERT ARRANGEMENT AS DEFINED BY MS14004-1.
 - MAXIMUM WIRE INSULATION USED WITH THIS PLUG IS .054 DIA.
 - Be-Cu RETENTION CLIPS ARE INCLUDED IN INSERTS.
- ④ THESE CONNECTORS ARE QUALIFIED TO GODDARD SPACE FLIGHT CENTER SPECIFICATION S-311-P-4.
 - ⑤ INSPECTION REQUIREMENTS PER R4383.
 - ⑥ CONNECTOR SUPPLIED WITH 115 CONTACTS, PART NUMBER 204370-8. INSPECTION REQUIREMENTS PER R4383 WITHOUT TESTS FOR HIGH ALTITUDE DIELECTRIC WITHSTANDING VOLTAGE AS CALLED FOR IN TABLE II SCREENING AND TESTING.
 - ⑦ UL/CSA DESIGNATION STAMPED IN THIS AREA, OPTIONAL.
 - ⑧ RESTRICTED TO CAE ELECTRONICS ONLY.
 - ⑨ CONNECTOR LOADED WITH POSTED CONTACTS, INSPECTION REQUIREMENTS PER GENERAL ELECTRIC DOCUMENT 20025720
 - ⑩ CONNECTOR LOADED WITH POSTED CONTACTS, INSPECTION REQUIREMENTS PER LOCKHEED MARTIN DOCUMENT 20131204.



REMARKS	DIA A	MARKED CUSTOMER P/N	MARKED P/N	PART NUMBER
⑩	.120 [3.05]	20131204P2104P	1-206066-5	1-206066-5
	.120 [3.05]	570566-12	1-206066-4	1-206066-4
⑨	.120 [3.05]	20025720P2104P	1-206066-0	1-206066-2
④/⑧	.120 [3.05]	311P407-6P-B-12	206066-4	1-206066-1
	.120 [3.05]	20025720P1104P	1-206066-0	1-206066-0
	.120 [3.05]	1622251-001	206066-9	206066-9
	.120 [3.05]	7636-11	206066-8	206066-8
⑥	.120 [3.05]	R4383P104P	206066-7	206066-7
⑤	.120 [3.05]	R4383P104P-2	206066-6	206066-6
	.120 [3.05]	SC81D139-056	206066-5	206066-5
④	.120 [3.05]	311P407-6P-B-12	206066-4	206066-4
	.154 [3.91]		206066-3	206066-3
④	.154 [3.91]	311P407-6P-B-15	206066-2	206066-2
	.120 [3.05]	R9259P104P	206066-1	206066-1

NUMBER 204370-8
GSFC PART NUMBER G-08-P1
(SUPPLIED WITH 206066-7
AND 1-206066-0 ONLY)

THIS DRAWING IS A CONTROLLED DOCUMENT.

STE Connectivity

TE Connectivity

PLUG, PIN CONTACTS
HI-DENSITY HDD SERIES
HI-DENSITY HDD SERIES

SCALE 4:1 SHEET 1 OF 1 REV AA

X-ON Electronics

Largest Supplier of Electrical and Electronic Components

Click to view similar products for [D-Sub MIL Spec Connectors](#) category:

Click to view products by [TE Connectivity](#) manufacturer:

Other Similar products are found below :

[M85049/50-5F](#) [D38999/24WG11PB-LC](#) [MDM-9SH006A](#) [1218697-4](#) [D38999/26WJ61PC L/C](#) [1484349-1](#) [17D25HV](#) [1996840-1](#) [243082-15](#)
[1757682-1](#) [17D-E51218-1](#) [17SDA15S](#) [1883533-1](#) [1883886-1](#) [1883889-1](#) [192900-0377](#) [M24308/8-347](#) [M83513/03-E09C](#) [443961-3](#) [5-](#)
[1218949-1](#) [550-031NF1R6K](#) [3-1236089-2](#) [550E001NF1R3J0L](#) [550T001NF1R6K0L](#) [557T283NF5B08](#) [DB121073-56](#) [DC121073157](#)
[443869-3](#) [443869-4](#) [443869-5](#) [550S004NF1R1B0F03](#) [557E283NF1A06](#) [527-019NF0303R2K1F](#) [5-446405-1](#) [550-031NF1R2E](#)
[550E003M2R9J0F04](#) [550E003M3R9J0F05](#) [550E024M104R9J0](#) [550E024NF102R3J0B](#) [550E039NF1R3J1-02](#) [550S003M3R9B0F05](#)
[550S004M4R7M0F04](#) [550S004NF1R1B1F02](#) [550S008M3F0K0F04](#) [550S086M5R3J0L](#) [550S100NF3F0E](#) [550T001M2R7E0L](#)
[550T001NF1F0B1L](#) [550T001NF1R1K0G](#) [550T001NF1R3K0G](#)