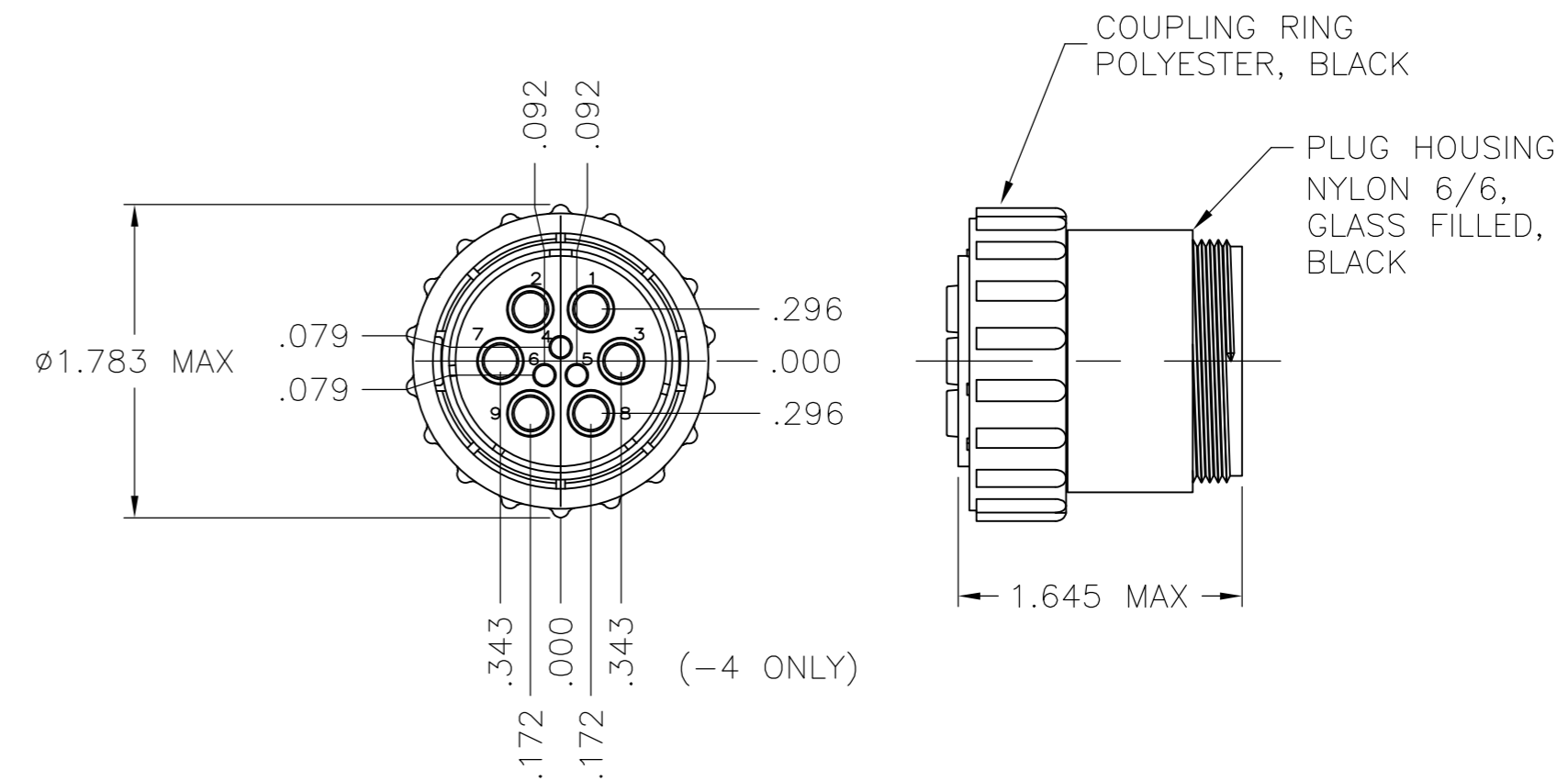
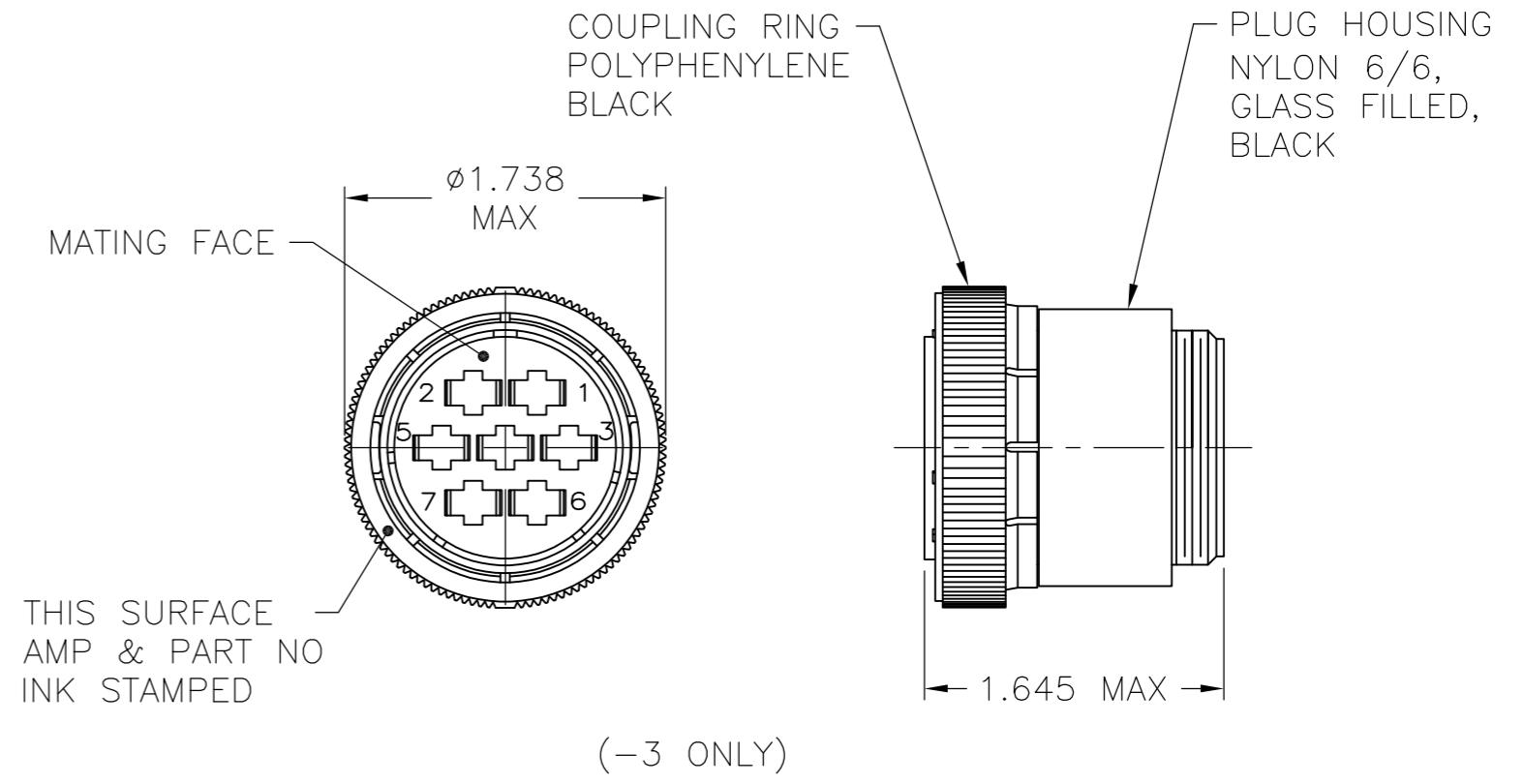
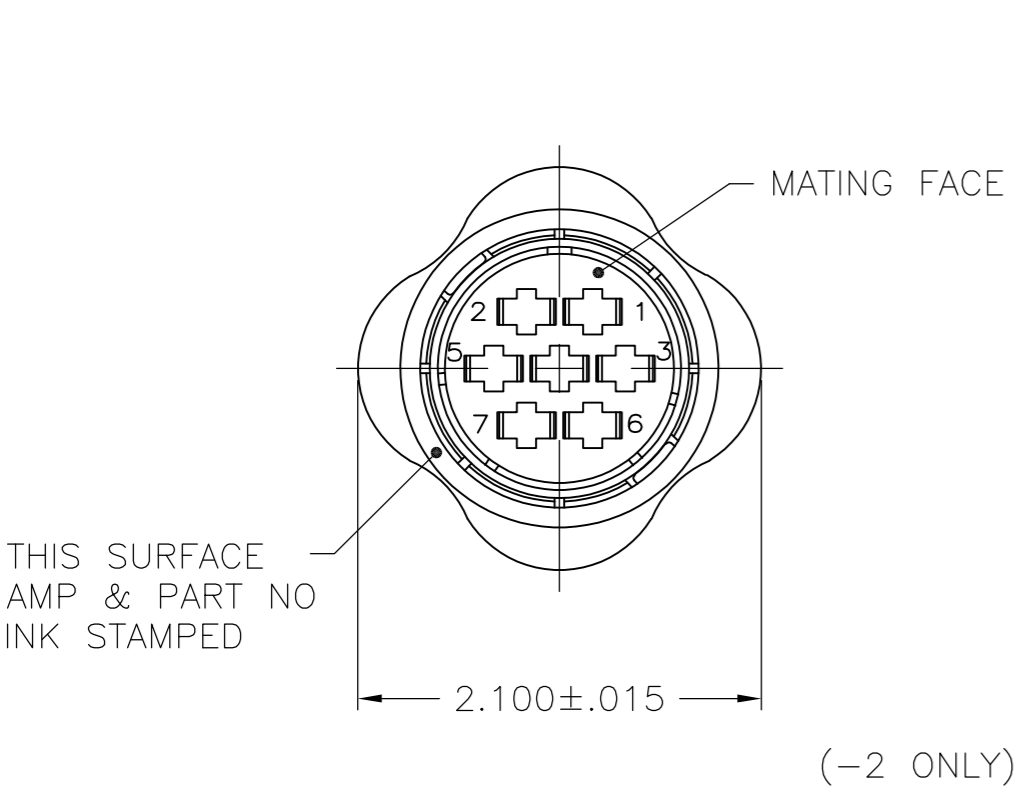
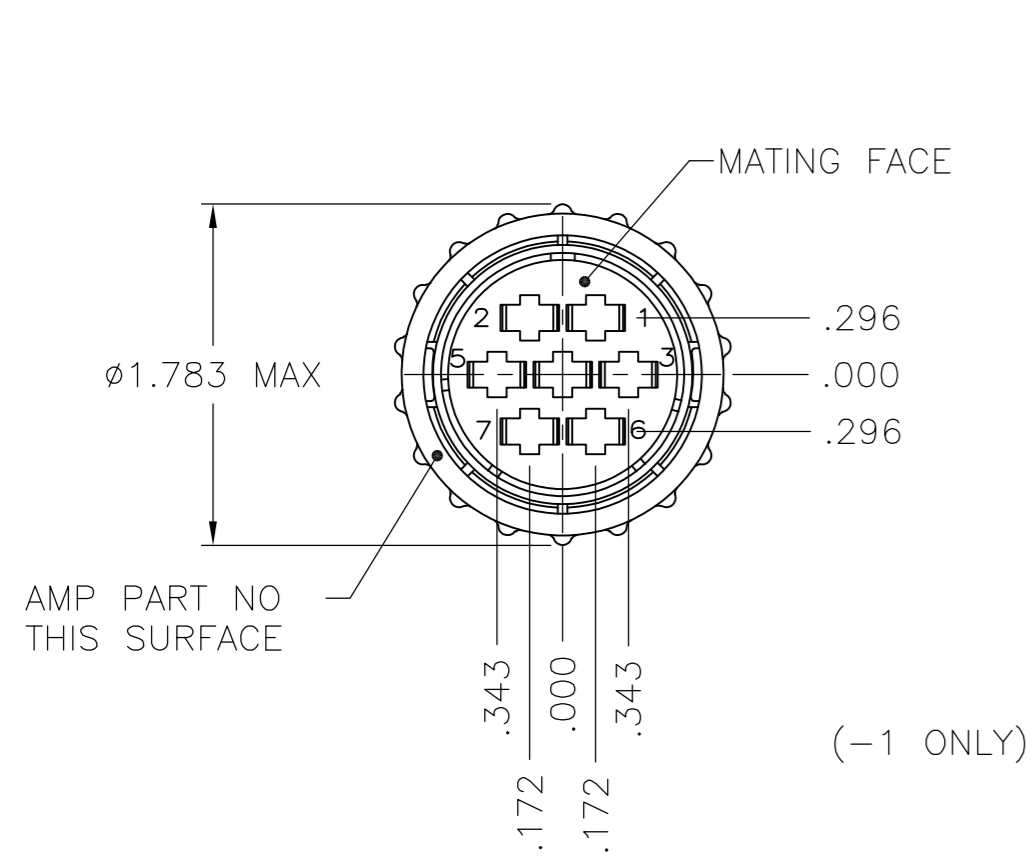


THIS DRAWING IS UNPUBLISHED. RELEASED FOR PUBLICATION
 © COPYRIGHT - By - ALL RIGHTS RESERVED.

| LOC | | DIST | | REVISIONS | | | |
|-----|-----|---------------------------|--|-----------|-----|------|--|
| P | LTR | DESCRIPTION | | DATE | DWN | APVD | |
| | J2 | REVISED PER ECO-15-016153 | | 10FEB2016 | NK | MZ | |



1 CONTACT CAVITIES IDENTIFIED BY CHARACTERS ON FRONT AND REAR FACE OF CONNECTOR.

-1, -2 AND -3 CONNECTORS WILL ACCEPT SEVEN (7) TYPE XII SOCKET CONTACTS.

-4 CONNECTOR WILL ACCEPT SIX (6) POWER BAND SOCKET CONTACTS AND THREE (3) TYPE III+ SIGNAL SOCKET CONTACTS.

| | | |
|---|----------|----------|
| 3 | OBSOLETE | 206136-4 |
| 2 | | 206136-3 |
| 2 | OBSOLETE | 206136-2 |
| 2 | | 206136-1 |

PART NUMBER

| | | | | | | |
|--|--|------------------|--------------|-----------|-----------------|--|
| THIS DRAWING IS A CONTROLLED DOCUMENT. | | DWN | S.RIDGLEY BG | 7/30/90 | TE Connectivity | |
| DIMENSIONS: INCHES | | CHK | R.STONE | 04/26/91 | NAME | |
| TOLERANCES UNLESS OTHERWISE SPECIFIED: | | APVD | - | - | PRODUCT SPEC | |
| 0 PLC ± - | | APPLICATION SPEC | | 108-10024 | | |
| 1 PLC ± - | | WEIGHT | | SIZE | | |
| 2 PLC ± .02 | | CUSTOMER DRAWING | | A2 00779 | | |
| 3 PLC ± .010 | | SCALE | | NTS | | |
| 4 PLC ± - | | SHEET | | 1 of 1 | | |
| ANGLES ± - | | REV | | J2 | | |
| FINISH | | RESTRICTED TO | | - | | |
| SEE CALLOUT | | DRAWING NO | | C=206136 | | |

X-ON Electronics

Largest Supplier of Electrical and Electronic Components

Click to view similar products for [Standard Circular Connector](#) category:

Click to view products by [TE Connectivity](#) manufacturer:

Other Similar products are found below :

[C015](#) [10F006](#) [001](#) [1](#) [5M2530B10P](#) [600247N007](#) [600259N006](#) [600273N007](#) [600432N009](#) [6280-2PG-519](#) [6280-3PG-311](#) [6280-3SG-311](#)
[6280-7SG-3DC](#) [6280-7SG-522](#) [6282-5PG-311](#) [6282-6PG-519](#) [6282-8SG-311](#) [6283-11](#) [6283-15](#) [6290](#) [6293](#) [6382-2PG-311](#) [6382-2PG-3DC](#)
[6382-2SG-321](#) [6382-2SG-3DC](#) [6382-4SG-516](#) [67-03E20-37P](#) [681-PMG](#) [CXS3102A14S2P](#) [CXS3102A181S](#) [CXS3106A14S6S](#) [MB12P-1](#)
[MB12R-6](#) [7251-2PG-300](#) [7251-2SG-300](#) [7251-4PG-300](#) [7251-4SG-300](#) [7251-5PG-300](#) [7251-5SG-300](#) [7251-6SG-300](#) [7251-7PG-300](#) [7251-](#)
[8PG-300](#) [7271-6SG-300](#) [7282-3PG-300-CH3](#) [73000005663](#) [75-190011-03P](#) [75-190216-08S](#) [75-190218-10P](#) [75-214636-52P](#) [75-474118-10P](#)
[75-474211-03P](#) [75-474218-19S](#) [75-474618-01S](#)