

THIS DRAWING IS UNPUBLISHED.

RELEASED FOR PUBLICATION

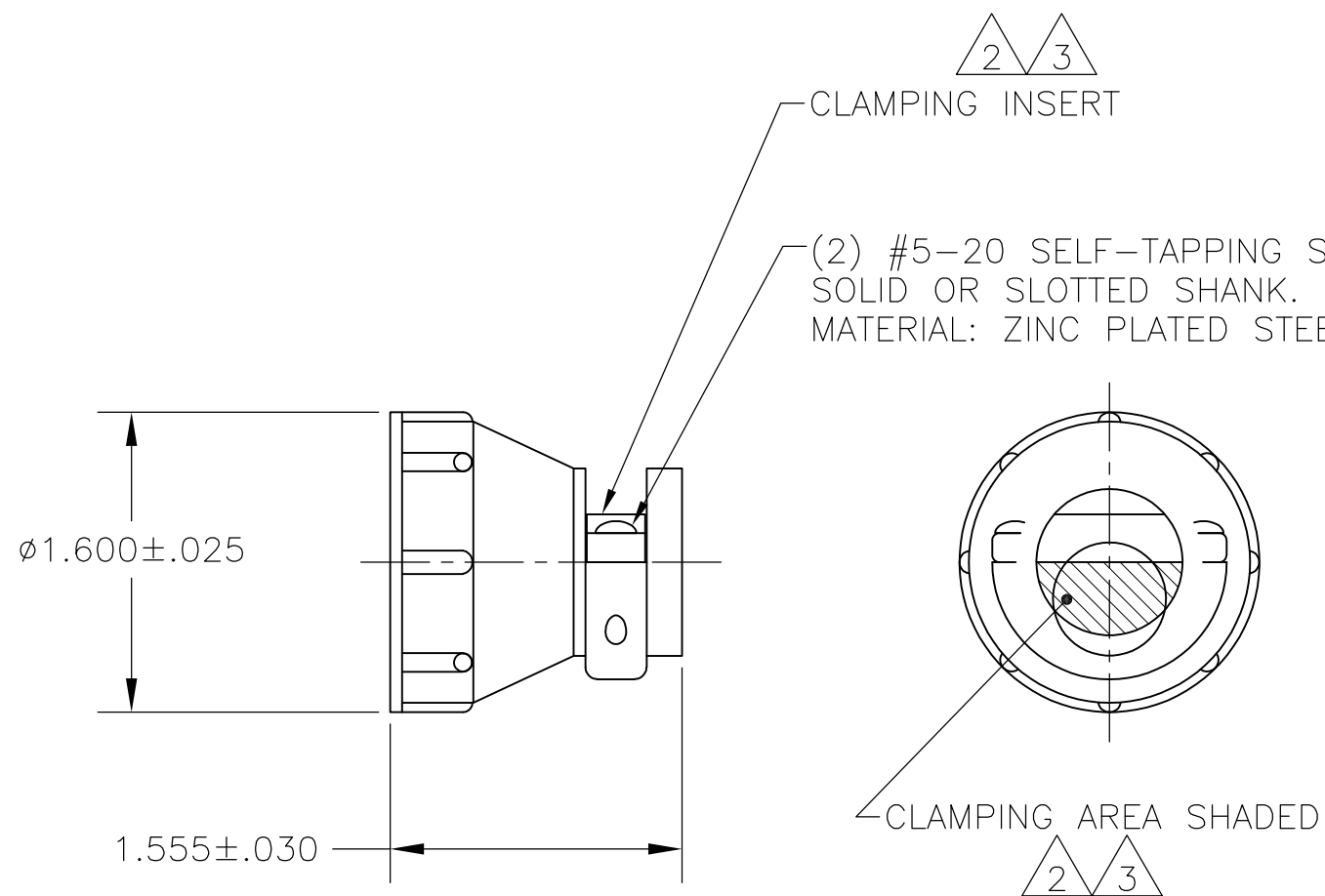
REVISIONS

ALL RIGHTS RESERVED.

© COPYRIGHT - By -

P	LTR	DESCRIPTION	DATE	DWN	APVD
	S5	REVISED PER ECO-16-004800	12SEP2016	NK	MZ
	T	REVISED PER ECR-16-016563	07DEC2016	RS	MZ

- 1 PARTS PACKAGED UNASSEMBLED.
- △2 CABLE CLAMPING AREA ADJUSTABLE FROM .100 TO .410 SQ IN BY REVERSING CLAMPING INSERTS. (2 INSERTS SUPPLIED)
- △3 CABLE CLAMPING AREA ADJUSTABLE FROM .100 TO .410 SQ IN BY CHANGING CLAMPING INSERTS. (4 INSERTS SUPPLIED, -3 ONLY)
- 4 .703 MAXIMUM CABLE OUTSIDE DIAMETER.
- △5 BULK PACKAGED KITS TO BE ORDERED IN MULTIPLES OF 100 ONLY.
- △6 SCREW FINISH ZINC WITH NON-HEXAVALENT CHROMATE.
- △7 OBSOLETE PARTS: OBSOLETE CIS STREAMLINING PER D.RENAUD/D.SINISI



REV	DESCRIPTION	SCREW LENGTH	PACKAGING	PART NUMBER
△2	OBSOLETE	.75 ^{+0.00} / _{-.05}	INDIVIDUAL	1-206138-2
△2	OBSOLETE	.75 ^{+0.00} / _{-.05} / .62 ^{+0.00} / _{-.05}	INDIVIDUAL	1-206138-1
		.62 ^{+0.00} / _{-.05}	△5 BULK	1-206138-0
△2	△7 OBSOLETE	.62 ^{+0.00} / _{-.05}	SMALL PACK	-206138-9
		.62 ^{+0.00} / _{-.05}	INDIVIDUAL	206138-8
△2	△7 SUPERSEDED BY 1-206138-1	.75 ^{+0.00} / _{-.05} / .62 ^{+0.00} / _{-.05}	INDIVIDUAL	-206138-7
△7	OBSOLETE	.62 ^{+0.00} / _{-.05}	SMALL PACK	-206138-6
	OBSOLETE	-	△5 BULK	-206138-3
△2	SUPERSEDED BY 1-206138-0	.62 ^{+0.00} / _{-.05}	△5 BULK	-206138-2
△2	SUPERSEDED BY 206138-8	.62 ^{+0.00} / _{-.05}	INDIVIDUAL	-206138-1

THIS DRAWING IS A CONTROLLED DOCUMENT.		DWN A GRAFF 4/23/91	TE Connectivity				
DIMENSIONS: INCHES		CHK W.G.LENKER 7-22-92					
TOLERANCES UNLESS OTHERWISE SPECIFIED:		APVD -	NAME				
0 PLC ± -		PRODUCT SPEC	CABLE CLAMP KIT, STANDARD, SHELL SIZE 23, CPC				
1 PLC ± -		108-10024					
2 PLC ± -		APPLICATION SPEC	SIZE	CAGE CODE	DRAWING NO	RESTRICTED TO	
3 PLC ± -			A3	00779	C-206138	-	
4 PLC ± -			CUSTOMER DRAWING		SCALE	SHEET	REV
ANGLES ± -		WEIGHT	NTS		1 OF 1	T	
MATERIAL THERMOPLASTIC		FINISH -					

X-ON Electronics

Largest Supplier of Electrical and Electronic Components

Click to view similar products for [Standard Circular Connector](#) category:

Click to view products by [TE Connectivity](#) manufacturer:

Other Similar products are found below :

[5M2530B10P](#) [600259N006](#) [600273N007](#) [6134-336-13149](#) [6134-337-11149](#) [6134-337-2390](#) [6134-341-17149](#) [6280-4SG-516](#) [6280-7SG-3DC](#)
[6290](#) [6291A](#) [66200A-10](#) [680-SMG](#) [681-PMG](#) [CXS3102A14S2P](#) [CXS3102A181S](#) [7271-6SG-300](#) [7282-3PG-300-CH3](#) [75-474014-05S](#) [75-](#)
[474618-01S](#) [75-474618-04P](#) [75-474618-04S](#) [799539-000](#) [MI8-SE](#) [805-005-07NF11-19PC](#) [805-005-07NF15-7PA](#) [8280-4PG-516](#) [8280-7PG-](#)
[519](#) [8282-5PG-519](#) [836783-1](#) [MP-4102-25P-C](#) [862256-1](#) [864019-2](#) [866857-1](#) [867865-1](#) [PT01SP-14-18P](#) [PT08P-14-5S](#) [120-1833-000](#)
[QCM019PC2DC012B](#) [1-2069279-1](#) [121583-0217](#) [121667-0020](#) [129591AU](#) [1000B BULK](#) [RD10A16-19-P6CS051/1](#) [RD10A20-31-](#)
[P8CS051/1](#) [RD16A14-12-S6CS051/2](#) [1301240290](#) [1301240347](#) [1301860202](#) [1301240268](#)