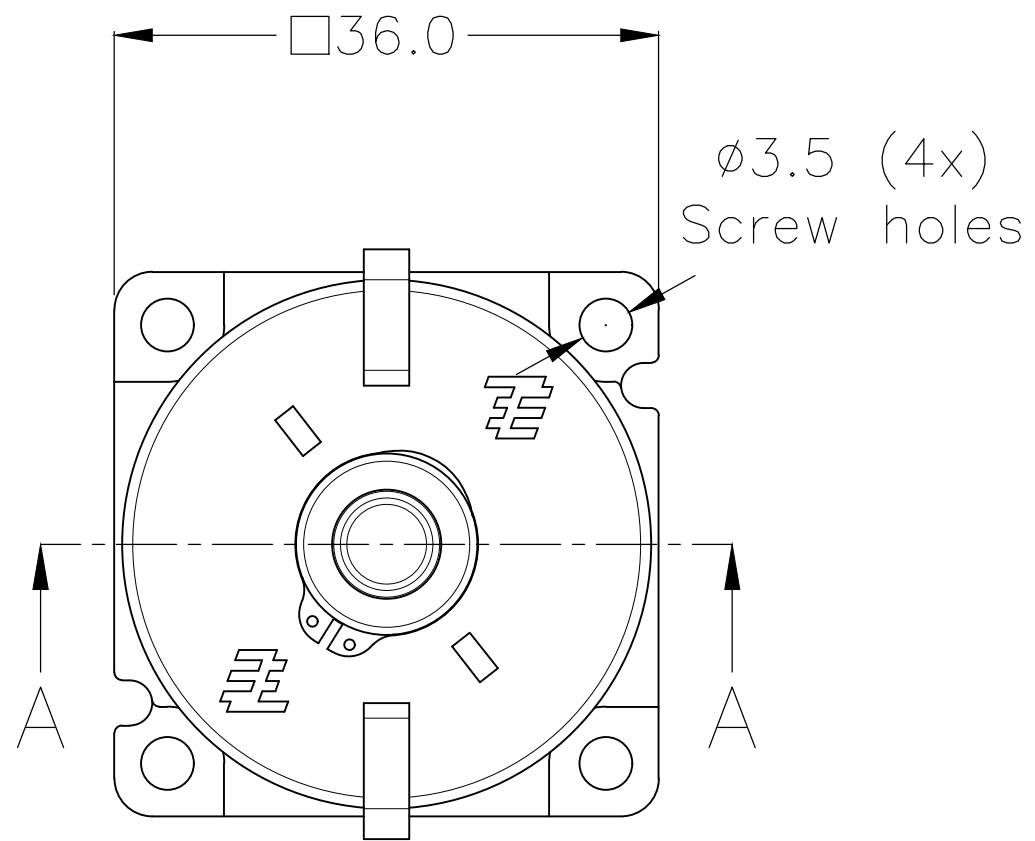
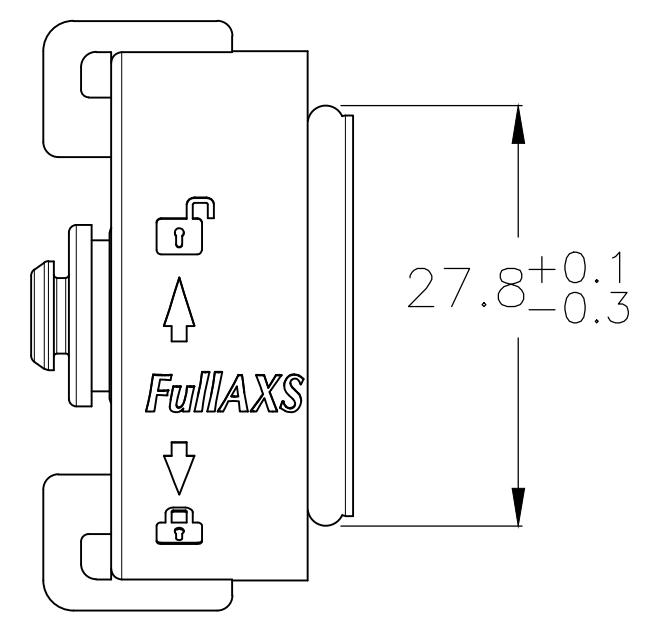
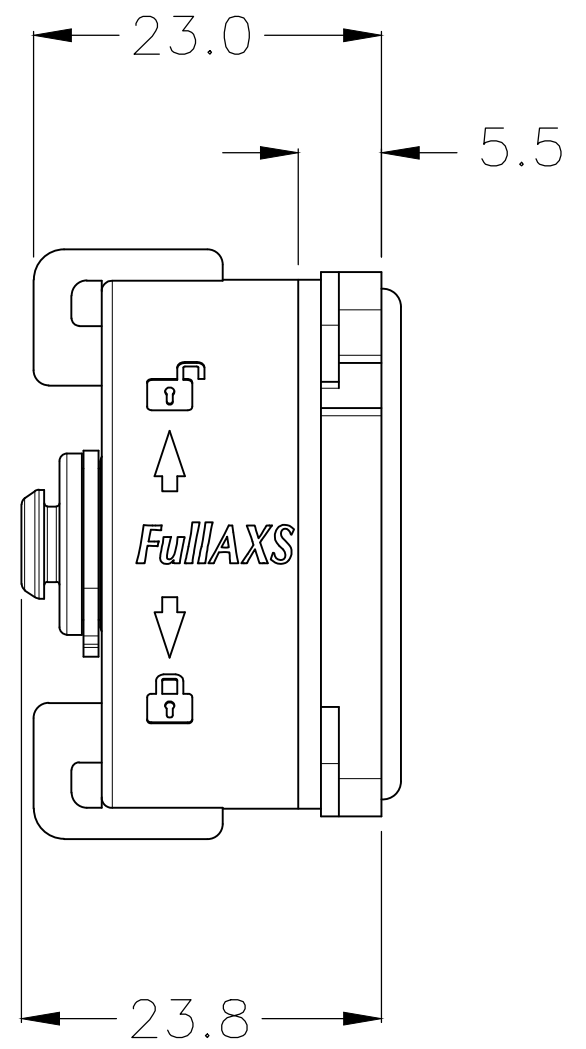


THIS DRAWING IS UNPUBLISHED. RELEASED FOR PUBLICATION  
 © COPYRIGHT - By - ALL RIGHTS RESERVED.

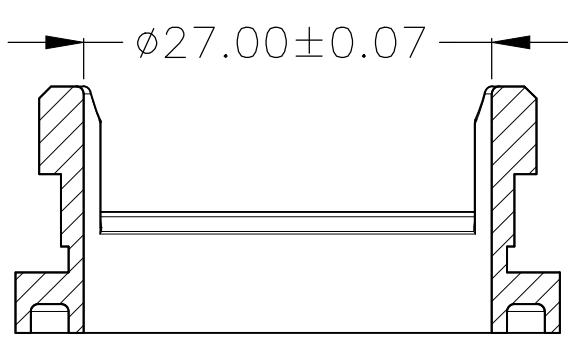
REVISIONS				
P	LTR	DESCRIPTION	DATE	APVD
C		ECR-17-014058	05FEB2018	HZ RS



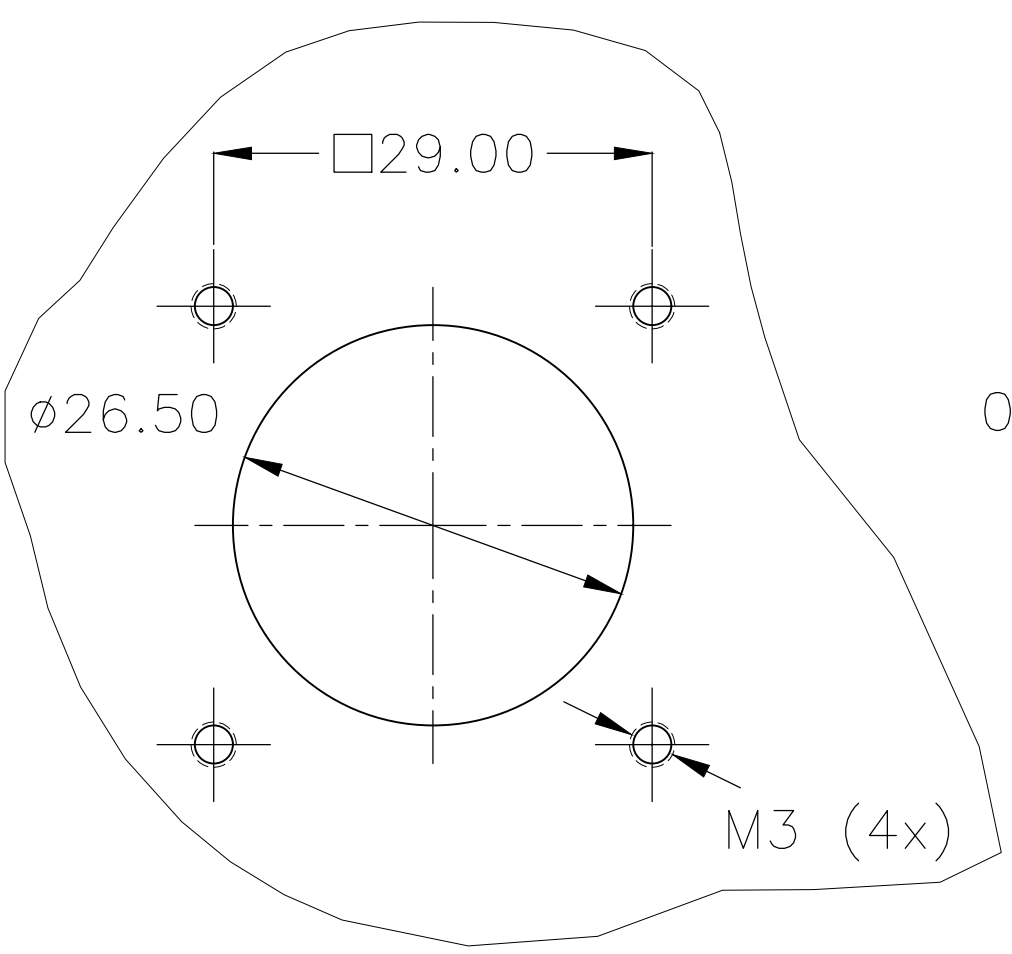
ASSEMBLED 2061433-1  
(cord not shown)



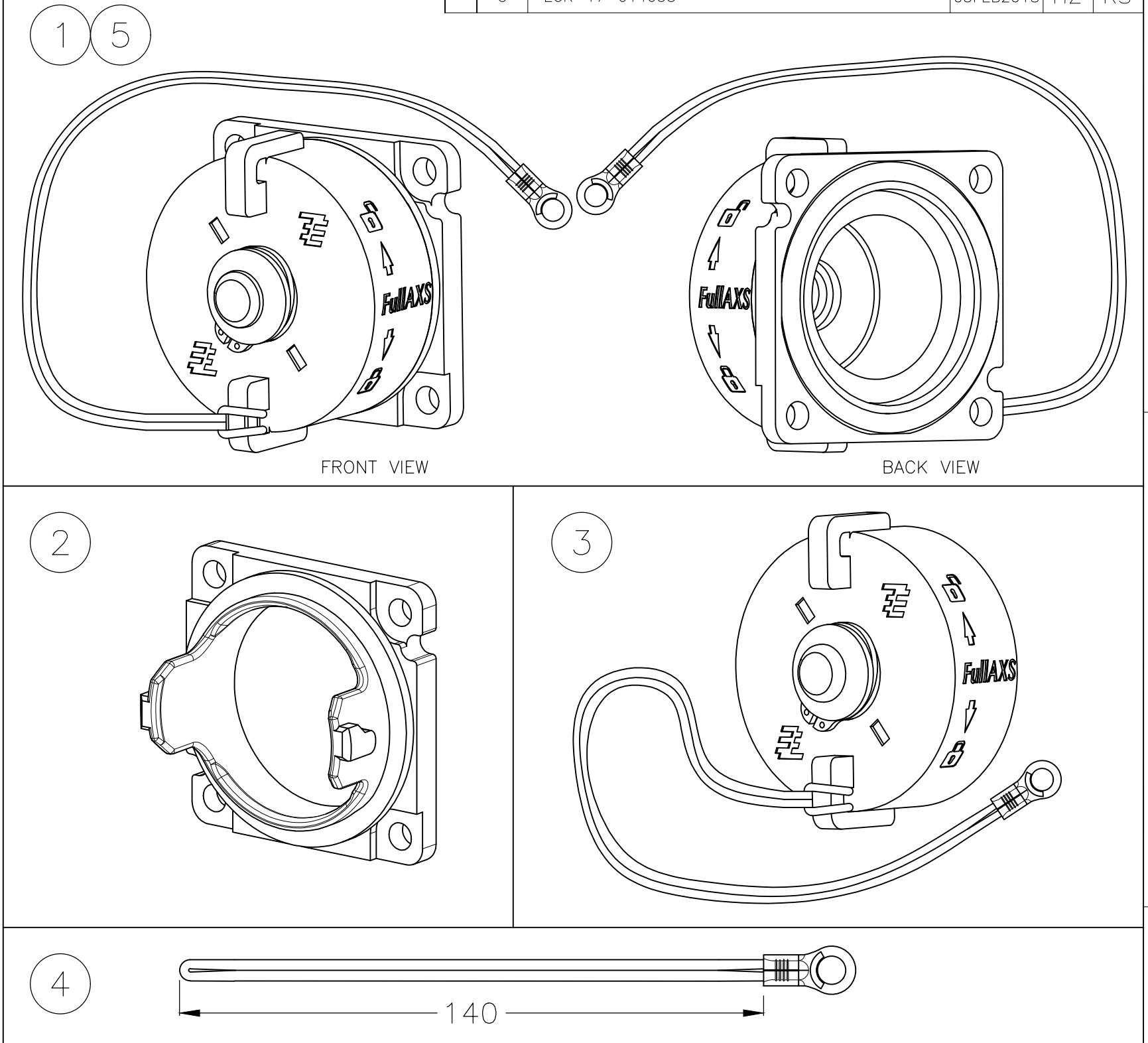
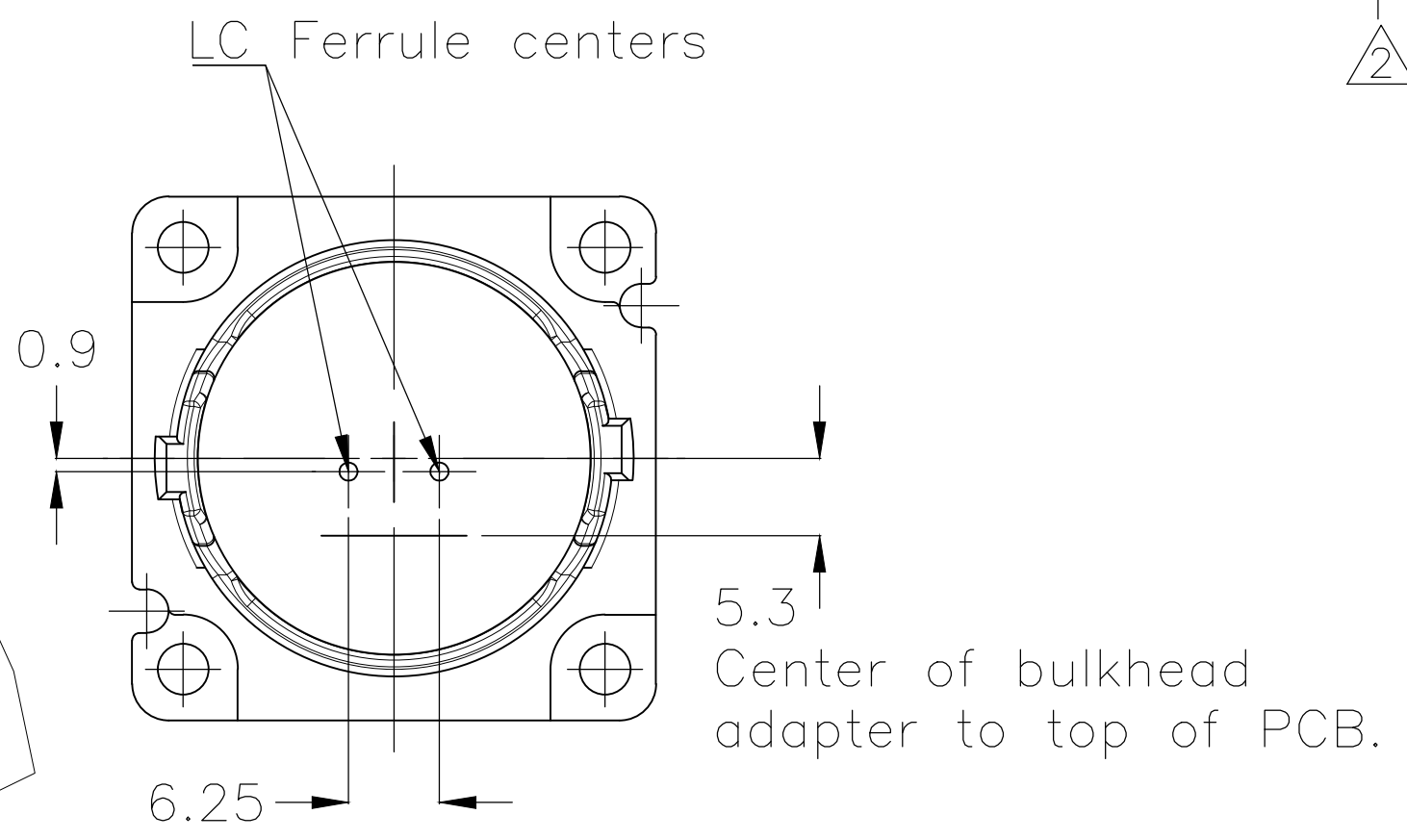
FULLAXS BULKHEAD CAP  
(Housing not shown)



SECTION A-A  
(Cap not shown)



Recommended panel cutout  
for the assembly and housing



NOTE:

- 1 SHOWN DIMENSIONS ARE FOR REFERENCE ONLY
- 2 THE CLIP ON CAP CAN PASS 24DAYS CORROSION TEST (INCLUDE 14 DAYS SALT SPRAY AND 10DAYS MOIST SO<sub>2</sub> EXPOSURE)

ITEM	TE PART NUMBER	DESCRIPTION
1	2061433-1	FOKIT FULLAXS BULKHEAD ASSEMBLY
2	2061433-2	FOAC FULLAXS BULKHEAD HOUSING
3	2061433-3	FOAC FULLAXS BULKHEAD CAP
4	2061433-4	FOAC FULLAXS BULKHEAD CAP STRAP
5	2061433-5	FOKIT FULLAXS BULKHEAD ASSEMBLY

THIS DRAWING IS A CONTROLLED DOCUMENT.		DWN R. COOLEN 10JUN2010		
DIMENSIONS: mm		CHK M. SCHOLTEN 17MAY2013		
TOLERANCES UNLESS OTHERWISE SPECIFIED:		APVD A. HENGELMOLEN 17MAY2013	NAME	
0 PLC ± -		PRODUCT SPEC	FOKIT FULLAXS BULKHEAD ASSEMBLY	
1 PLC ± -		APPLICATION SPEC	SIZE	CAGE CODE
2 PLC ± -		WEIGHT	A2	00779
3 PLC ± -		CUSTOMER DRAWING	C=2061433	
4 PLC ± -		SCALE	NTS	SHEET 1 OF 1
FINISH		RESTRICTED TO	REV C	

## X-ON Electronics

Largest Supplier of Electrical and Electronic Components

*Click to view similar products for [Fibre Optic Cable Assemblies](#) category:*

*Click to view products by [TE Connectivity](#) manufacturer:*

Other Similar products are found below :

[7-21002-9](#) [760-1518](#) [FA04390-50-M-72-LC-N](#) [MLB 501 V RED](#) [MLB 501 V YELLOW](#) [1-3636-600-5208](#) [2061529-7](#) [1-6693182-0](#)  
[1754898-1](#) [21055-6](#) [FXBSCSCE2LM002](#) [3000005](#) [3-21053-2](#) [MLB 2001 V RED](#) [MLB 2001 V YELLOW](#) [MLB 501 V BLACK](#) [5492011-6](#)  
[106284-7000](#) [5492011-5](#) [5492011-8](#) [5492011-9](#) [8-21007-5](#) [2123524-2](#) [2123524-1](#) [106386-4447](#) [DFSM-SCSC-2M](#) [2123909-4](#) [2123909-8](#)  
[106273-0629](#) [2125046-1](#) [2821236-3](#) [2821310-2](#) [2821310-3](#) [2821313-4](#) [FX2ERLNLNSNM0.5](#) [CF-980062-074](#) [CF-901200-394](#) [CF-980062-](#)  
[073](#) [CF-980062-071](#) [CF-980062-075](#) [CF-980062-072](#) [17-300310-100](#) [2821236-2](#) [2821313-1](#) [G-FC-FC-S-002.0-DX-A-18-Y](#) [G-E2A-E2A-S-](#)  
[003.0-SX-A-18-Y](#) [956-322-502214](#) [FA04474](#) [1083665](#) [1111540](#)