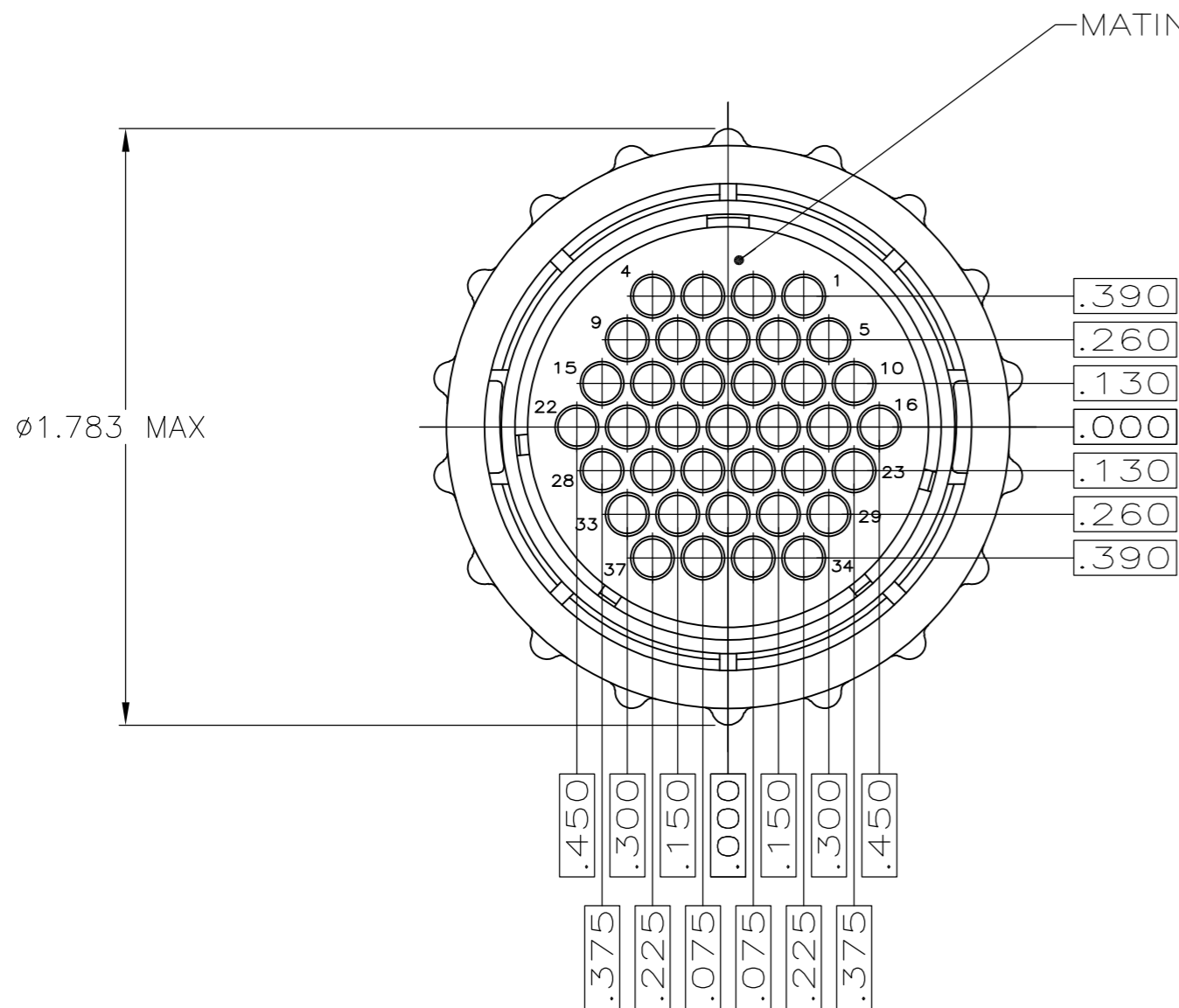
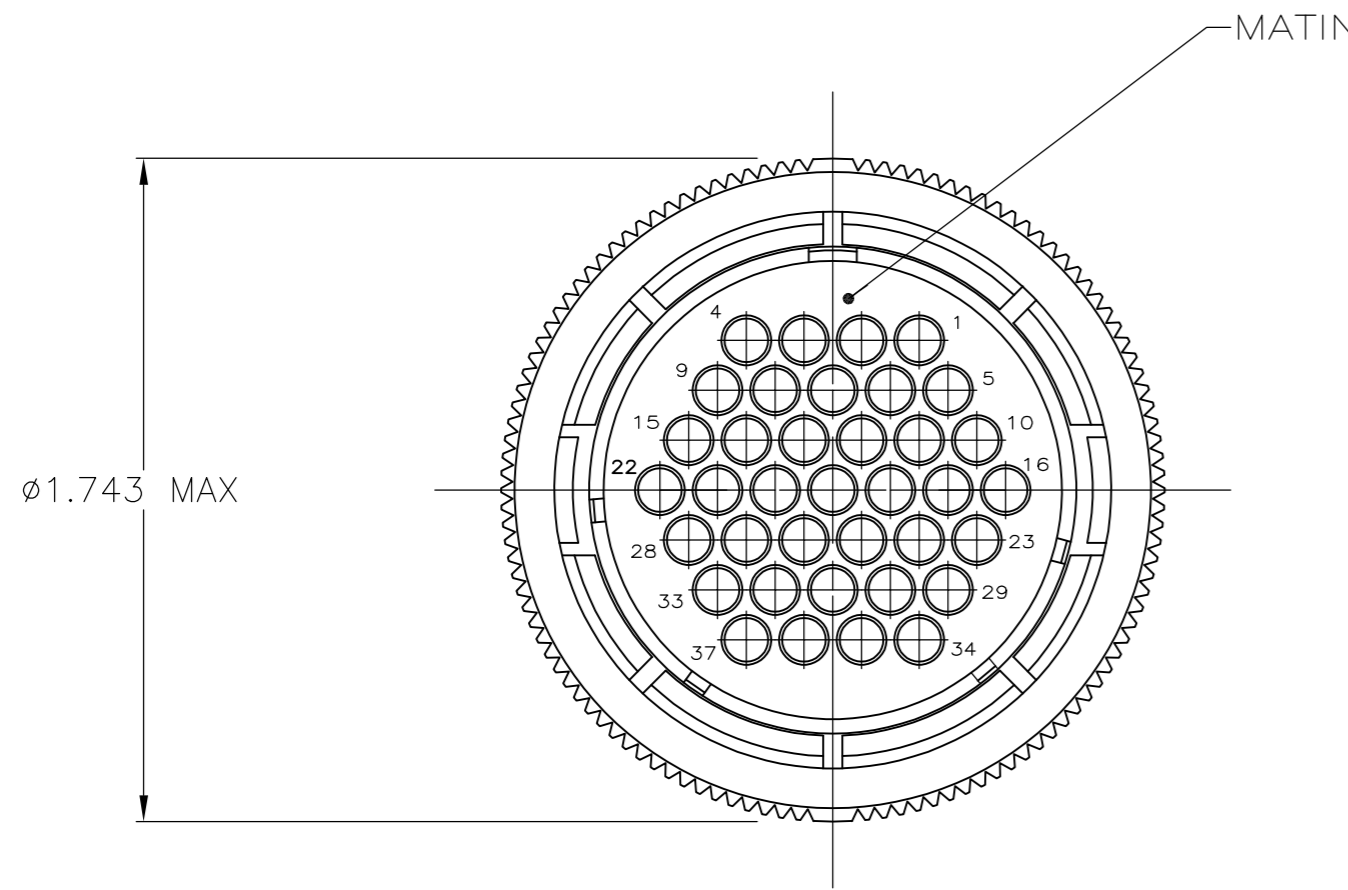
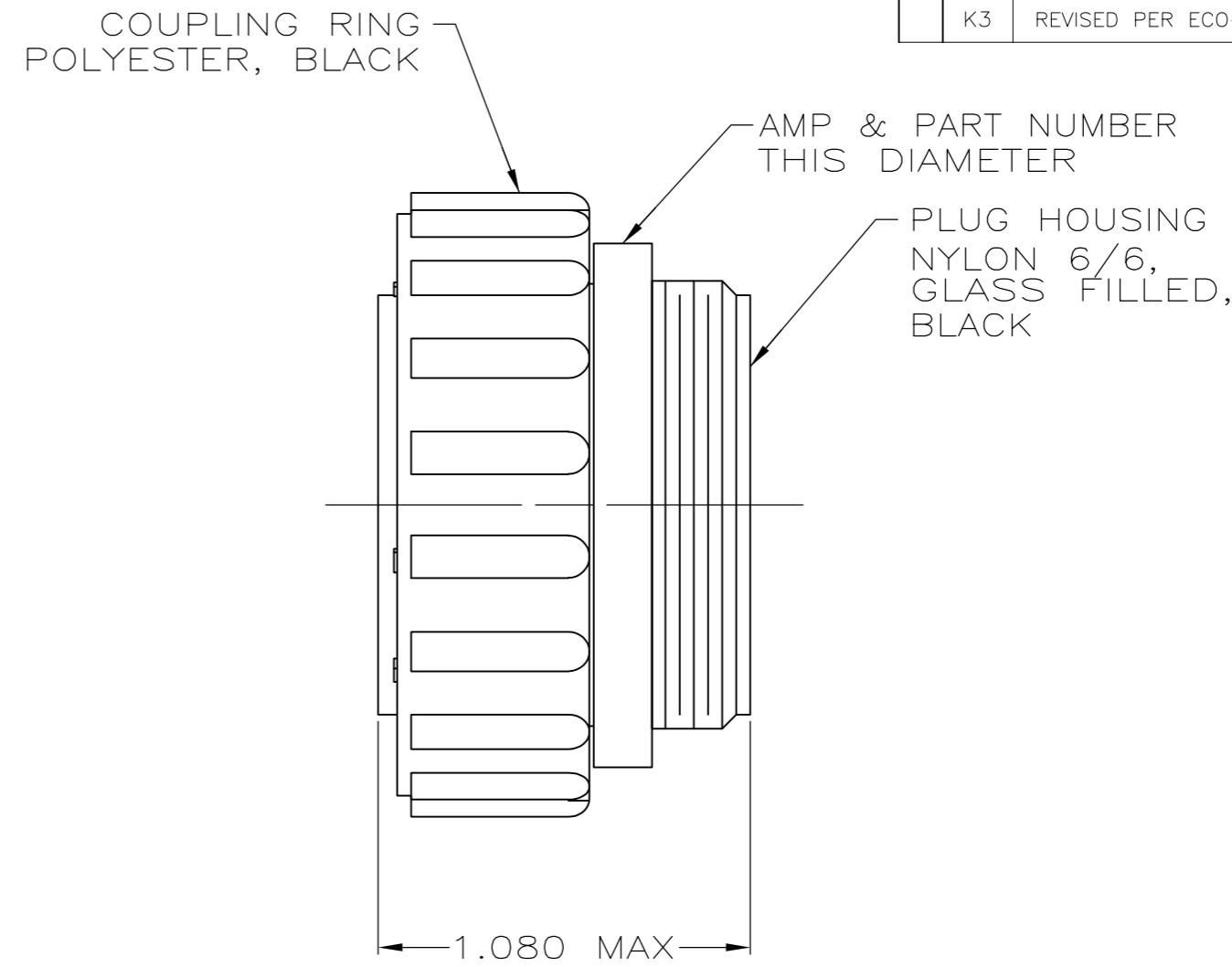


THIS DRAWING IS UNPUBLISHED. RELEASED FOR PUBLICATION
 © COPYRIGHT - By - ALL RIGHTS RESERVED.

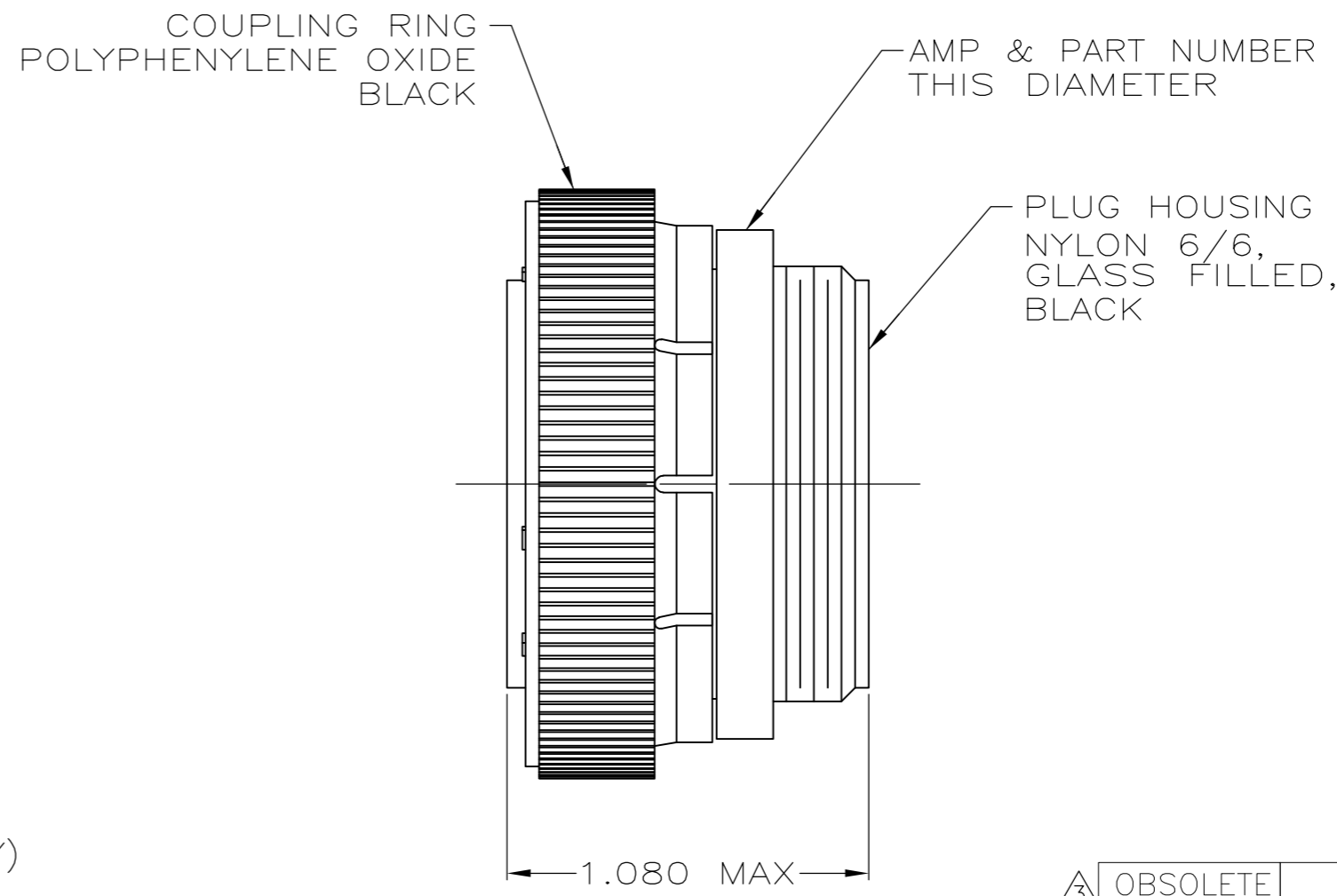
REVISIONS					
P	LTR	DESCRIPTION	DATE	DWN	APVD
K3		REVISED PER ECO-16-004800	12SEP2016	NK	MZ



(206150-1, -2 & -6 ONLY)



(206150-3 ONLY)



- 1 CONTACT CAVITIES IDENTIFIED BY CHARACTERS ON FRONT AND REAR FACES OF CONNECTOR.
- 2 THIS CONNECTOR WILL ACCEPT (37) MULTIMATE SOCKET CONTACTS.
- 3 WHITE DOT NEAR POSITION 1 ON WIRE ENTRY FACE.

OBSOLETE	STANDARD	-206150-6-
	STANDARD	206150-3
	SMALL PACK	206150-2
	STANDARD	206150-1
PACKAGING	PART NUMBER	

THIS DRAWING IS A CONTROLLED DOCUMENT.		DWN S.RIDGLEY BG 8/2/90		
DIMENSIONS: INCHES		CHK R.STONE 4-26-91		
TOLERANCES UNLESS OTHERWISE SPECIFIED:		APVD -	NAME	
0 PLC ± -		PRODUCT SPEC -	PLUG ASSEMBLY, SHELL SIZE 23, STANDARD SEX, SERIES 1, CPC	
1 PLC ± -		APPLICATION SPEC -	SIZE	CAGE CODE
2 PLC ± -		WEIGHT 0	A2	00779
3 PLC ± -		CUSTOMER DRAWING	C=206150	
4 PLC ± -		SCALE 2:1	SHEET 1 of 1	REV K3
ANGLES ± -				
FINISH -				
MATERIAL SEE CALLOUT				

X-ON Electronics

Largest Supplier of Electrical and Electronic Components

Click to view similar products for [Standard Circular Connector](#) category:

Click to view products by [TE Connectivity](#) manufacturer:

Other Similar products are found below :

[5M2530B10P](#) [600259N006](#) [600273N007](#) [6134-336-13149](#) [6134-337-11149](#) [6134-337-2390](#) [6134-341-17149](#) [6280-4SG-516](#) [6280-7SG-3DC](#)
[6290](#) [6291A](#) [66200A-10](#) [680-SMG](#) [681-PMG](#) [CXS3102A14S2P](#) [CXS3102A181S](#) [7271-6SG-300](#) [7282-3PG-300-CH3](#) [75-474014-05S](#) [75-](#)
[474618-01S](#) [75-474618-04P](#) [75-474618-04S](#) [799539-000](#) [MI8-SE](#) [805-005-07NF11-19PC](#) [805-005-07NF15-7PA](#) [8280-4PG-516](#) [8280-7PG-](#)
[519](#) [8282-5PG-519](#) [836783-1](#) [MP-4102-25P-C](#) [862256-1](#) [864019-2](#) [866857-1](#) [867865-1](#) [PT01SP-14-18P](#) [PT08P-14-5S](#) [120-1833-000](#)
[QCM019PC2DC012B](#) [1-2069279-1](#) [121583-0217](#) [121667-0020](#) [129591AU 1000B BULK](#) [RD10A16-19-P6CS051/1](#) [RD10A20-31-](#)
[P8CS051/1](#) [RD16A14-12-S6CS051/2](#) [1301240290](#) [1301240347](#) [1301860202](#) [1301240268](#)