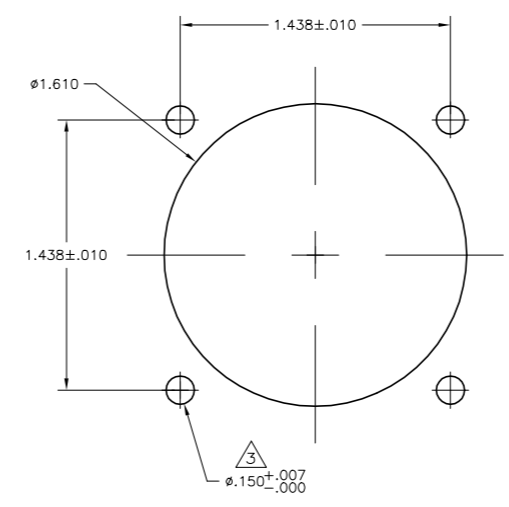
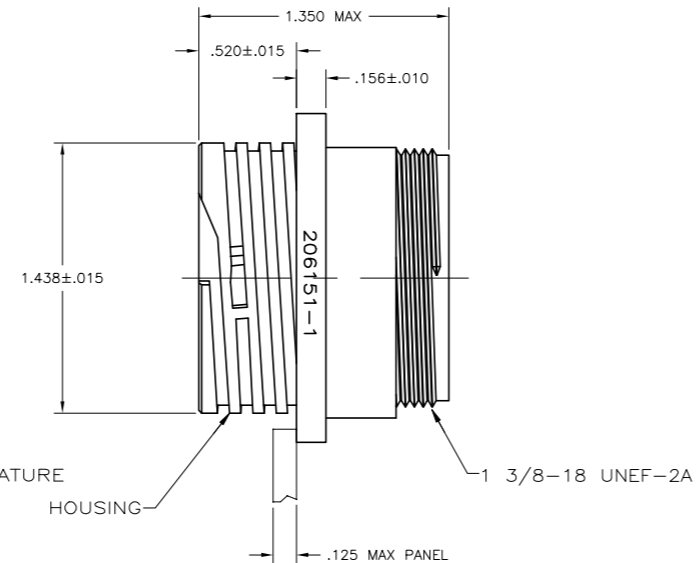
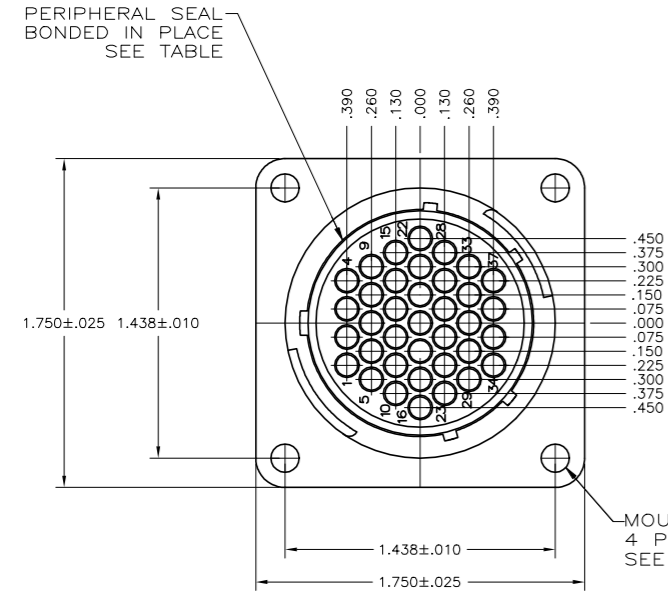


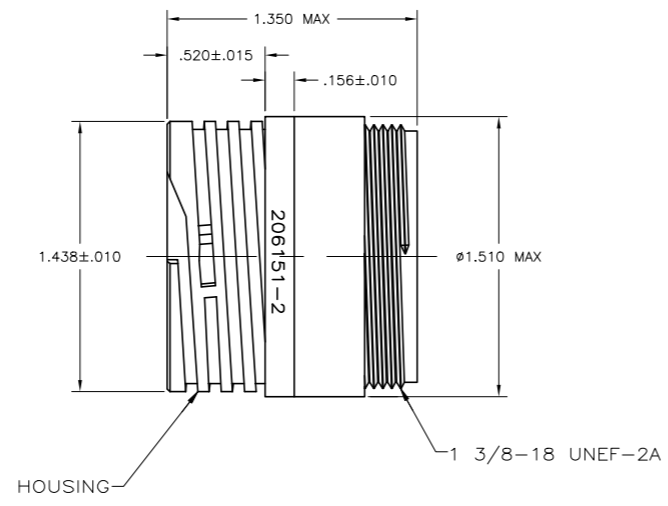
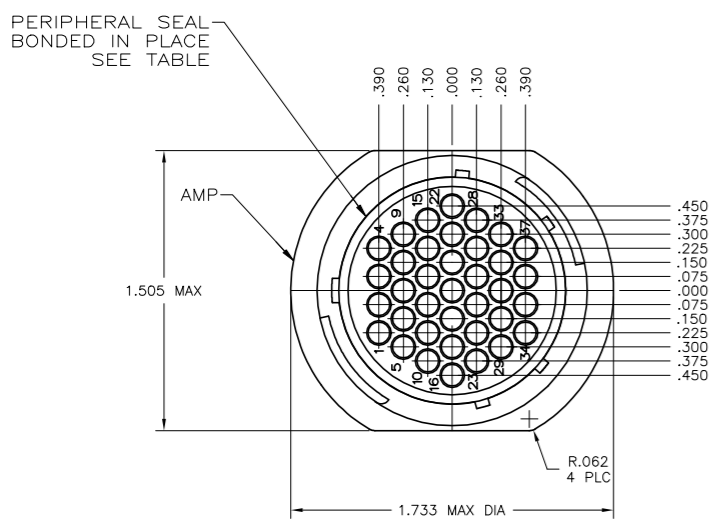
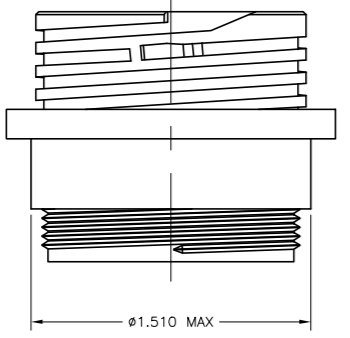
THIS DRAWING IS UNPUBLISHED. RELEASED FOR PUBLICATION  
 © COPYRIGHT - By - ALL RIGHTS RESERVED.

REVISIONS				
#	LTR	DESCRIPTION	DATE	APP'D
M		REVISED PER ECO-12-015521	28SEP12	KH MZ
N		REVISED PER ECR-16-015135	24NOV2016	RS MZ
P		REVISED PER ECO-19-014836	21OCT2019	RS MZ



RECOMMENDED PANEL CUTOUT

DETAIL A



DETAIL B

- 1 CAVITY IDENTIFICATION ON FRONT AND REAR FACE.
- 2 WILL ACCEPT THIRTY-SEVEN (37) MULTIMATE PIN CONTACTS.
- 3 NO 4 FASTENER RECOMMENDED FOR MOUNTING.
- 4 WHITE DOT NEAR POSITION 1 ON WIRE ENTRY FACE.
- 5 OBSOLETE PARTS: OBSOLETE CIS STREAMLINING PER D.RENAUD/D.SINISI
- 6 MATERIALS:  
 HOUSINGS: PA66, BLACK  
 PERIPHERAL SEAL: NITRILE BUTADIENE RUBBER  
 THREADED INSERT: BRASS

#	DESCRIPTION	STANDARD	NO	A	PART NUMBER
4	#4-40 THREADED INSERT	STANDARD	NO	A	206151-9
4	Ø.150 MOUNTING HOLES	STANDARD	YES	A	206151-8
5	Ø.150 MOUNTING HOLES	STANDARD	NO	A	<del>206151-6</del>
5	Ø.150 MOUNTING HOLES	SMALL PACK	NO	A	<del>206151-5</del>
	NONE	STANDARD	YES	B	206151-4
	Ø.150 MOUNTING HOLES	STANDARD	YES	A	206151-3
	NONE	STANDARD	NO	B	206151-2
	Ø.150 MOUNTING HOLES	STANDARD	NO	A	206151-1
	MOUNTING FEATURE	PACKAGING	PERIPHERAL SEAL	SEE DETAIL	PART NUMBER

THIS DRAWING IS A CONTROLLED DOCUMENT. DWN S SCHLEGEL 06DEC2002  
 CHK A FRANTUM 8/13/83  
 APP'D R STONE 8/13/83 NAME

**STE** TE Connectivity

RECEPTACLE HOUSING, STANDARD  
 SEX, SHELL SIZE 23, CPC

DIMENSIONS: INCHES	TOLERANCES UNLESS OTHERWISE SPECIFIED:	0 PLC ± -	1 PLC ± -	2 PLC ± -	3 PLC ± .005	4 PLC ± ± -	ANGLES ± ± -
MATERIAL: 6	FINISH: -	WEIGHT: -	SIZE: A1	CAGE CODE: 00779	DRAWING NO: C=206151	RESTRICTED TO: -	
CUSTOMER DRAWING		SCALE: 2:1	SHEET: 1 of 1	REV: P			

## X-ON Electronics

Largest Supplier of Electrical and Electronic Components

*Click to view similar products for [Standard Circular Connector](#) category:*

*Click to view products by [TE Connectivity](#) manufacturer:*

Other Similar products are found below :

[5M2530B10P](#) [600259N006](#) [600273N007](#) [6134-336-13149](#) [6134-337-11149](#) [6134-337-2390](#) [6134-341-17149](#) [6280-4SG-516](#) [6280-7SG-3DC](#)  
[6290](#) [6291A](#) [66200A-10](#) [680-SMG](#) [681-PMG](#) [CXS3102A14S2P](#) [CXS3102A181S](#) [7251-5SG-300](#) [7271-6SG-300](#) [7282-3PG-300-CH3](#) [75-](#)  
[474618-01S](#) [75-474618-04P](#) [75-474618-04S](#) [799539-000](#) [MI8-SE](#) [805-005-07NF11-19PC](#) [805-005-07NF15-7PA](#) [8280-4PG-516](#) [8280-7PG-](#)  
[519](#) [8282-5PG-519](#) [836783-1](#) [MP-4102-25P-C](#) [862256-1](#) [864019-2](#) [866857-1](#) [867865-1](#) [PT01SP-14-18P](#) [PT08P-14-5S](#) [PTSF06SE-14-12S](#)  
[120-1833-000](#) [QCM019PC2DC012B](#) [1-2069279-1](#) [121583-0217](#) [121667-0020](#) [129591AU](#) [1000B BULK](#) [RD10A16-19-P6CS051/1](#)  
[RD10A20-31-P8CS051/1](#) [RD16A14-12-S6CS051/2](#) [1301240290](#) [1301240347](#) [1301860202](#)