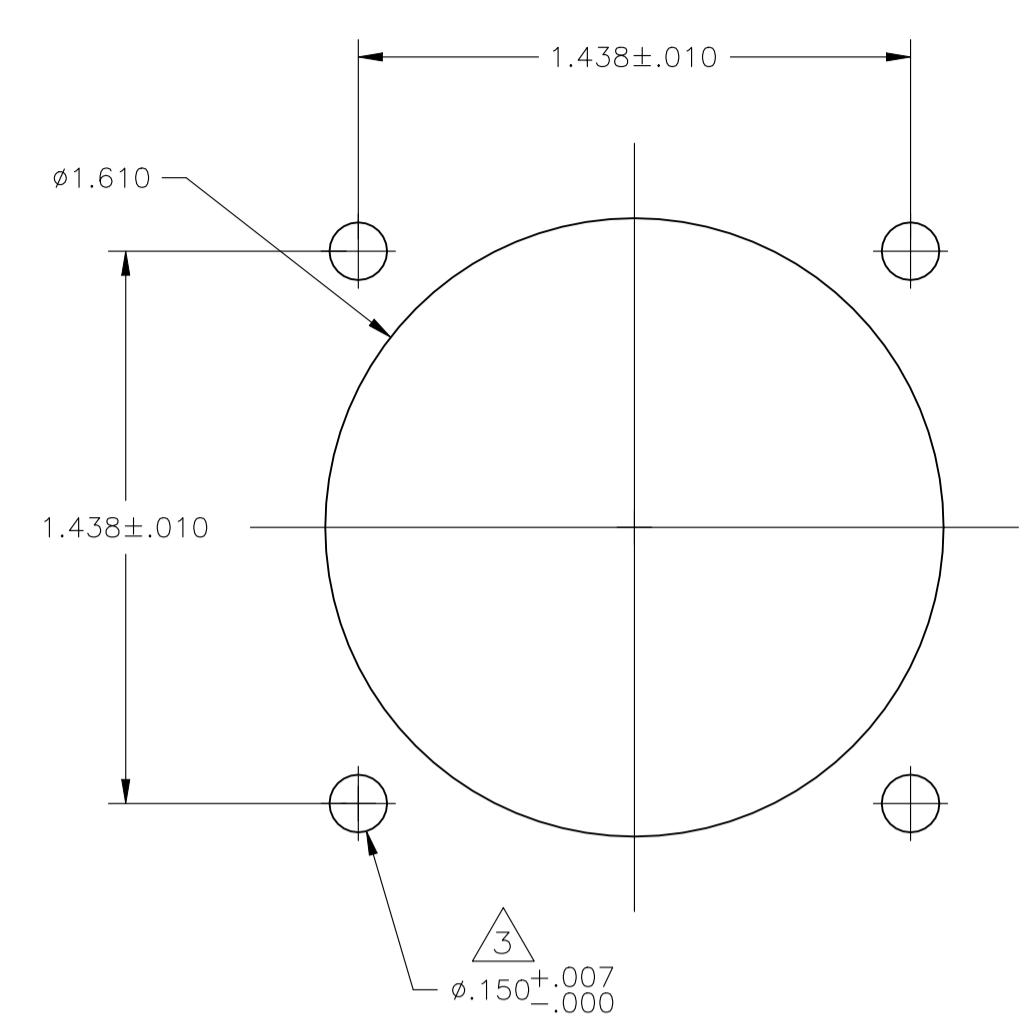
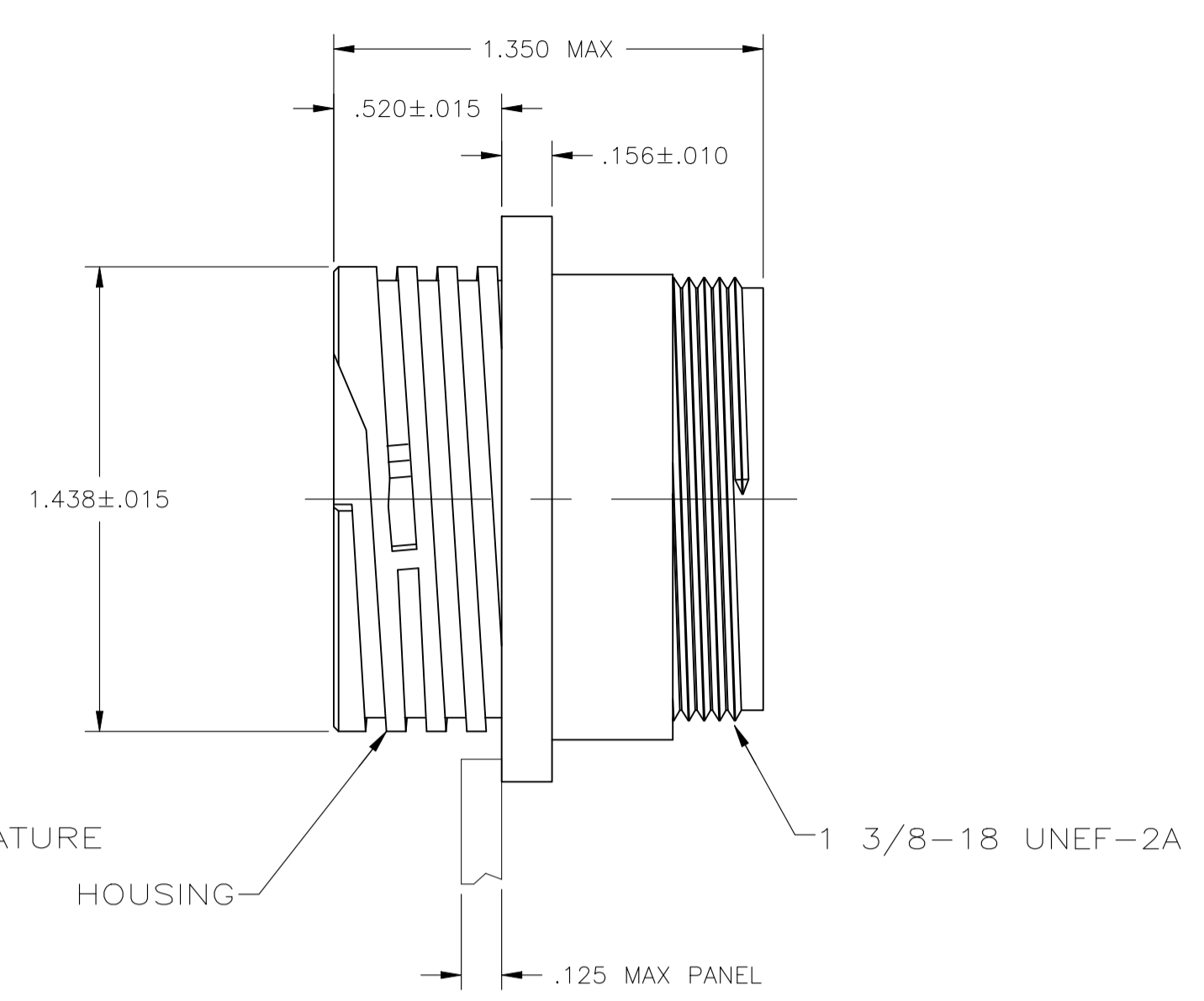
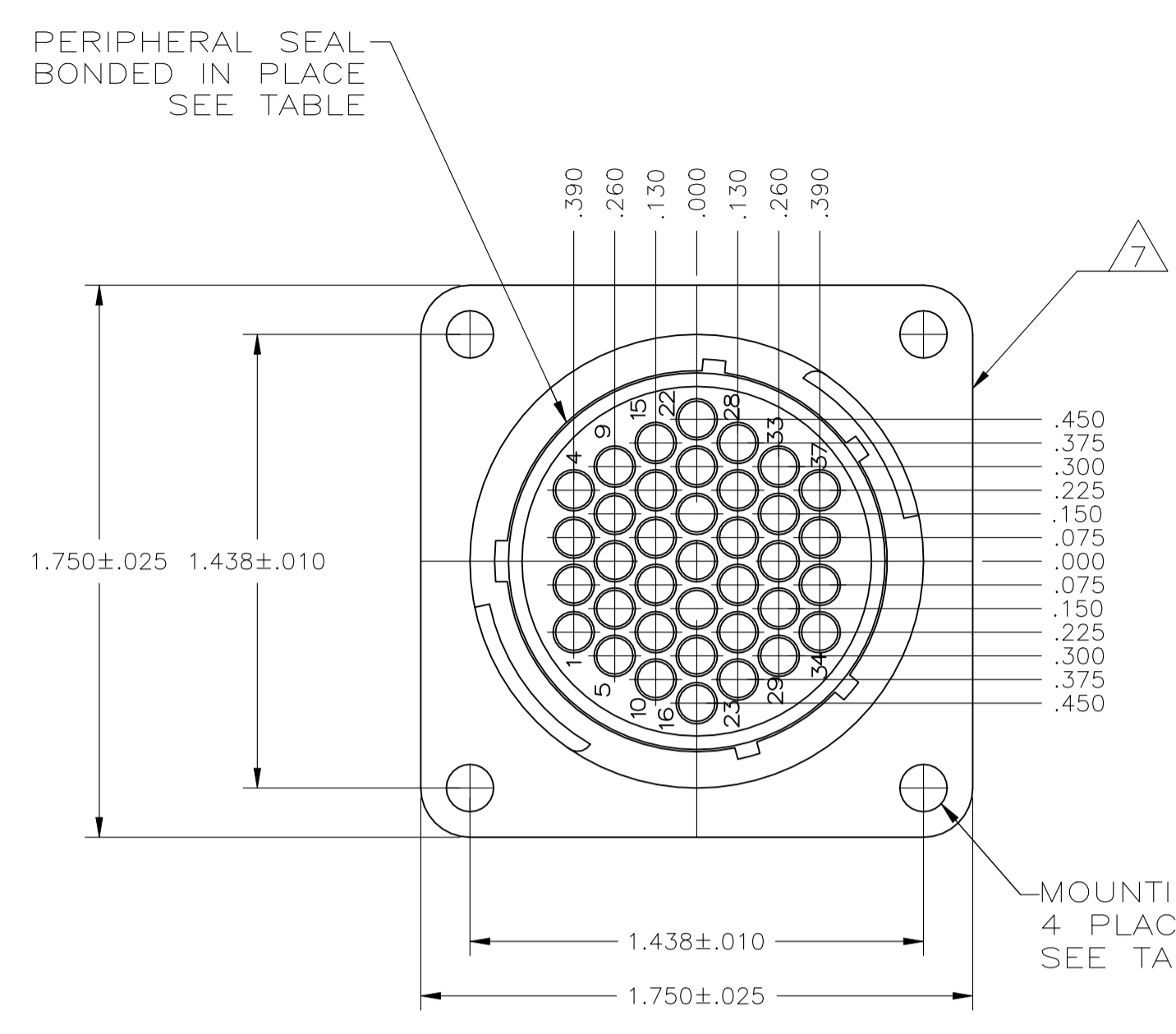
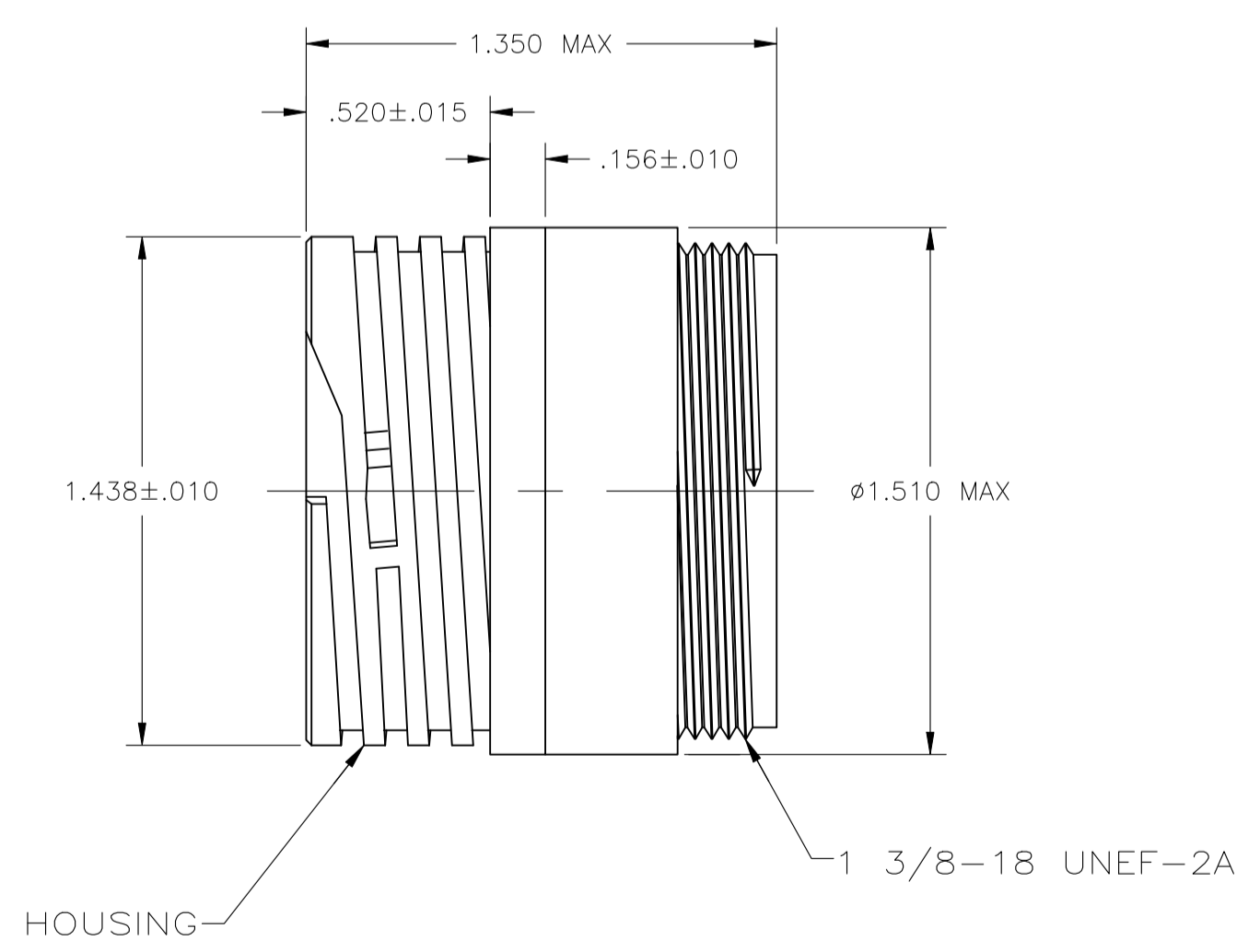
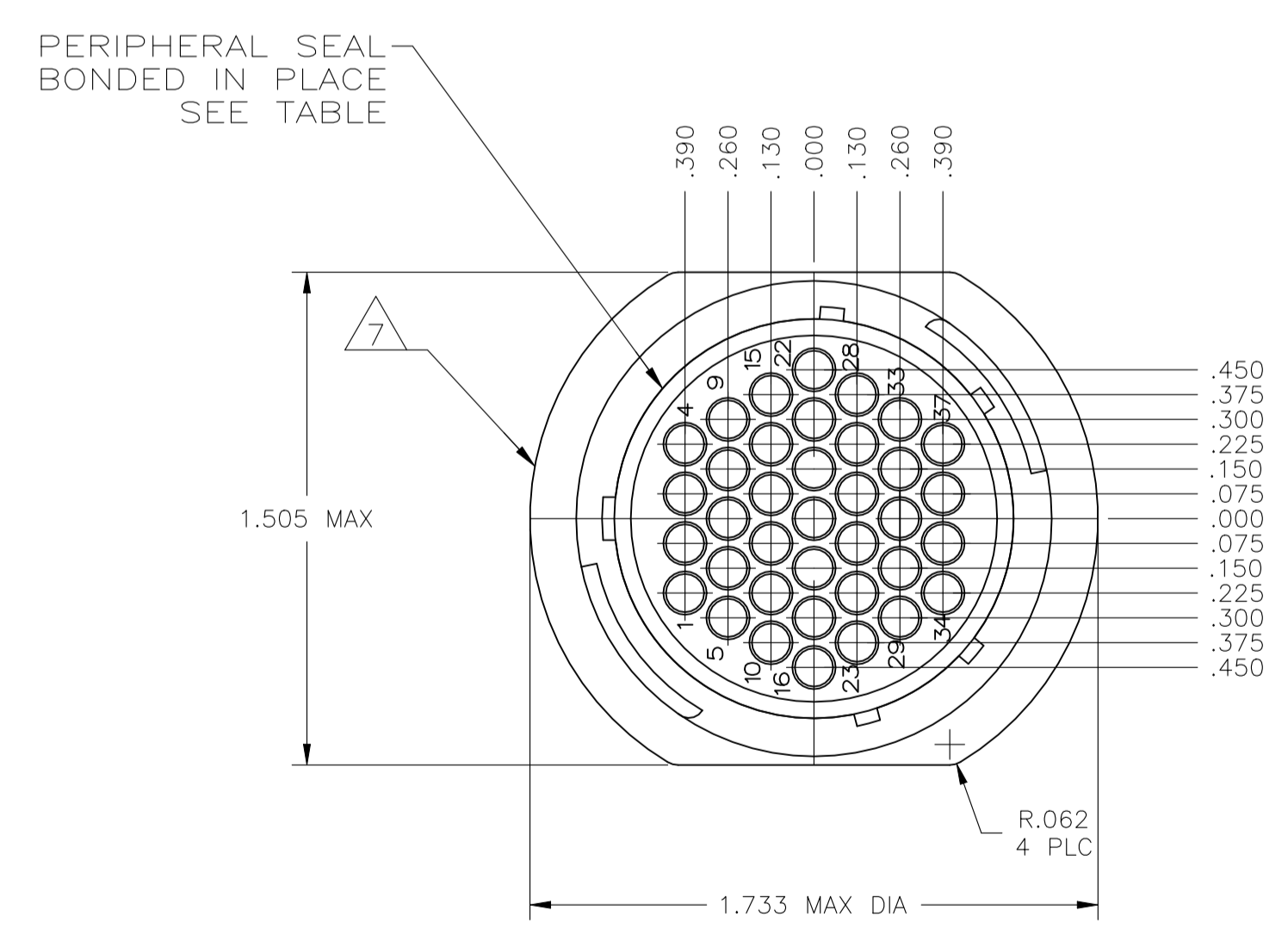
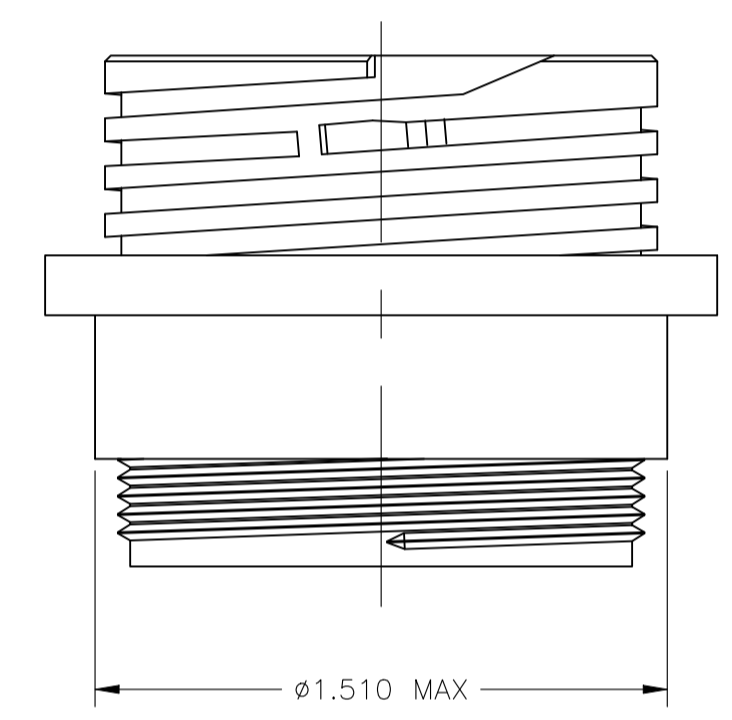


REVISIONS				
P	LTR	DESCRIPTION	DATE	APPROV
R		REVISED PER ECO-21-006945	27OCT2021	RK MZ



DETAIL A

RECOMMENDED PANEL CUTOUT



DETAIL B

- 1 CAVITY IDENTIFICATION ON FRONT AND REAR FACE.
- 2 WILL ACCEPT THIRTY-SEVEN (37) MULTIMATE PIN CONTACTS.
- 3 NO 4 FASTENER RECOMMENDED FOR MOUNTING.
- 4 WHITE DOT NEAR POSITION 1 ON WIRE ENTRY FACE.
- 5 OBSOLETE PARTS: OBSOLETE CIS STREAMLINING PER D.RENAUD/D.SINISI
- 6 MATERIALS:
HOUSINGS: PA66, BLACK
PERIPHERAL SEAL: NITRILE BUTADIENE RUBBER
THREADED INSERT: BRASS
- 7 TE LOGO AND PART NUMBER LOCATED ON ANY FLANGE EDGE

DESCRIPTION	STANDARD	NO	A	206151-9	
#4-40 THREADED INSERT	STANDARD	NO	A	206151-9	
4	0.150 MOUNTING HOLES	STANDARD	YES	A	206151-8
5	0.150 MOUNTING HOLES	STANDARD	NO	A	206151-6
6	0.150 MOUNTING HOLES	SMALL PACK	NO	A	206151-5
	NONE	STANDARD	YES	B	206151-4
	0.150 MOUNTING HOLES	STANDARD	YES	A	206151-3
	NONE	STANDARD	NO	B	206151-2
	0.150 MOUNTING HOLES	STANDARD	NO	A	206151-1
MOUNTING FEATURE	PACKAGING	PERIPHERAL SEAL	SEE DETAIL	PART NUMBER	

THIS DRAWING IS A CONTROLLED DOCUMENT.

DIMENSIONS: INCHES	TOLERANCES UNLESS OTHERWISE SPECIFIED:	DIN S SCHLEGEL 08DEC2002	TE Connectivity
0 PLC ± -	1 PLC ± -	8/13/83	RECEPTACLE HOUSING, STANDARD SEX, SHELL SIZE 23, CPC
2 PLC ± -	3 PLC ± .005	APPROV R STONE 8/13/83	SIZE CAGE CODE DRAWING NO
4 PLC ± -	ANGLES ± -	NAME	RESTRICTED TO
MATERIAL	FINISH	WEIGHT	A1 00779 C=206151
		CUSTOMER DRAWING	SCALE 2:1 SHEET 1 of 1 REV R

X-ON Electronics

Largest Supplier of Electrical and Electronic Components

Click to view similar products for [Standard Circular Connector](#) category:

Click to view products by [TE Connectivity](#) manufacturer:

Other Similar products are found below :

[5M2530B10P](#) [600259N006](#) [600273N007](#) [6134-336-13149](#) [6134-337-11149](#) [6134-337-2390](#) [6134-341-17149](#) [6280-4SG-516](#) [6280-7SG-3DC](#)
[6290](#) [6291A](#) [66200A-10](#) [680-SMG](#) [681-PMG](#) [CXS3102A14S2P](#) [CXS3102A181S](#) [7251-5SG-300](#) [7271-6SG-300](#) [7282-3PG-300-CH3](#) [75-](#)
[474618-01S](#) [75-474618-04P](#) [75-474618-04S](#) [799539-000](#) [MI8-SE](#) [805-005-07NF11-19PC](#) [805-005-07NF15-7PA](#) [8280-4PG-516](#) [8280-7PG-](#)
[519](#) [8282-5PG-519](#) [836783-1](#) [MP-4102-25P-C](#) [862256-1](#) [864019-2](#) [866857-1](#) [867865-1](#) [PT01SP-14-18P](#) [PT08P-14-5S](#) [PTSF06SE-14-12S](#)
[120-1833-000](#) [QCM019PC2DC012B](#) [1-2069279-1](#) [121583-0217](#) [121667-0020](#) [129591AU](#) [1000B BULK](#) [RD10A16-19-P6CS051/1](#)
[RD10A20-31-P8CS051/1](#) [RD16A14-12-S6CS051/2](#) [1301240290](#) [1301240347](#) [1301860202](#)