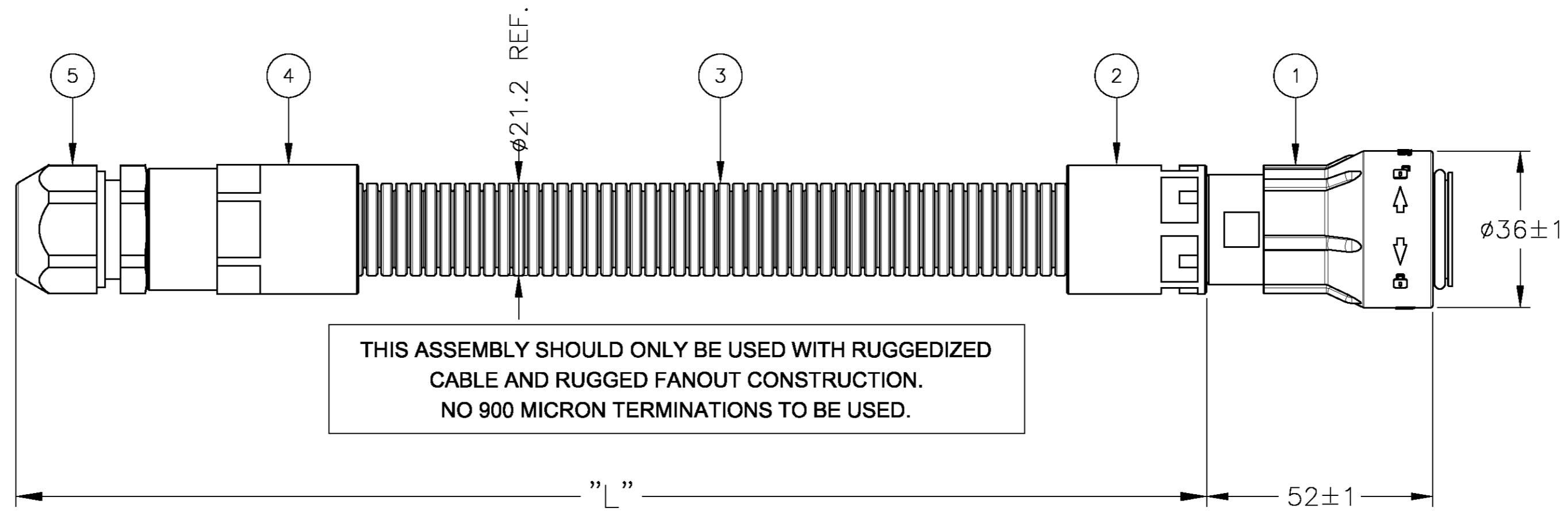
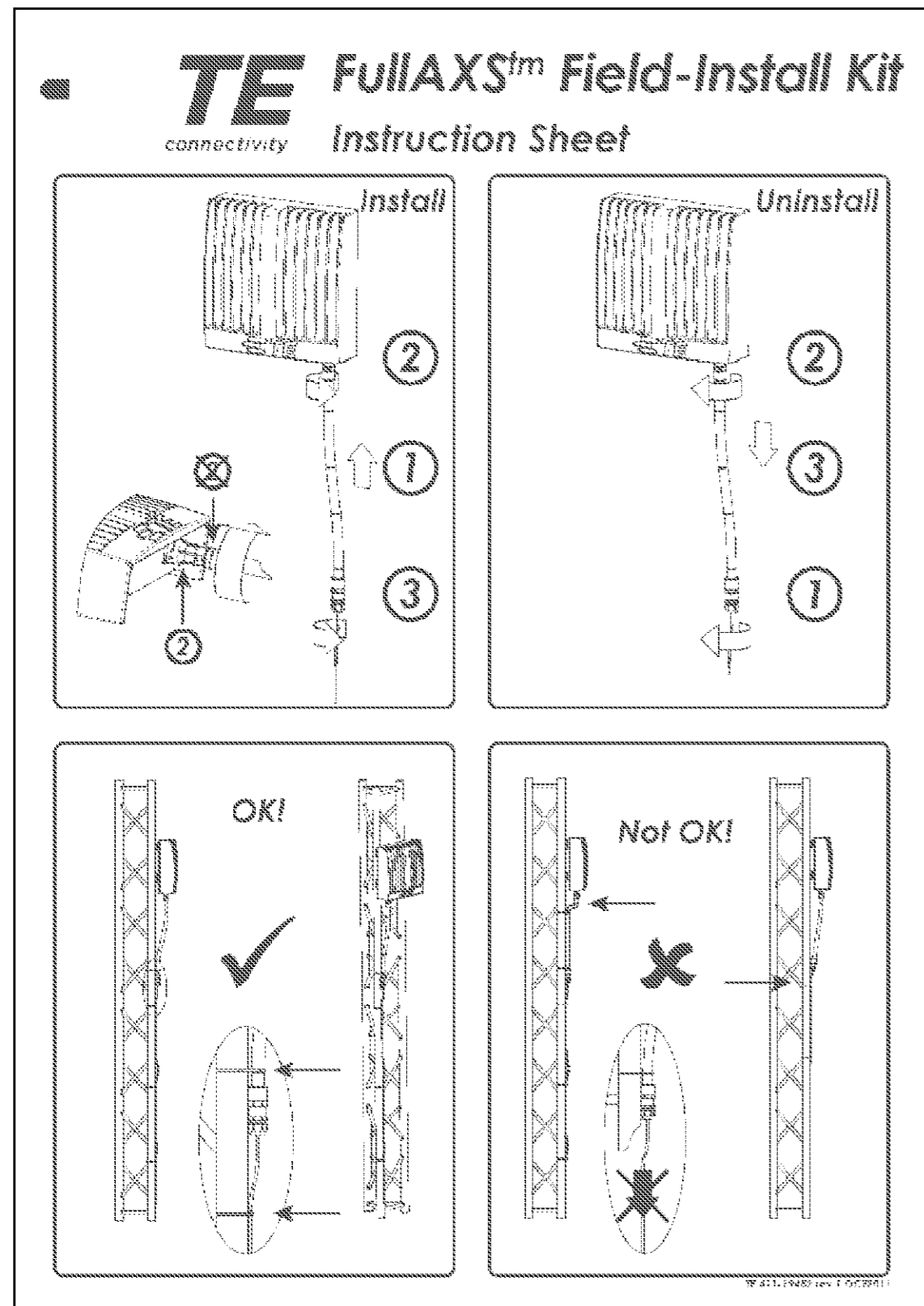


THIS DRAWING IS UNPUBLISHED. RELEASED FOR PUBLICATION  
 © COPYRIGHT - By - ALL RIGHTS RESERVED.

LOC		DIST		REVISIONS			
P	LTR	DESCRIPTION	DATE	DWN	APVD		
C1		ECR-13-012380	06AUG2013	RC	SS		



EXAMPLE INSTRUCTION SHEET:



NOTES:

- 1 EACH FULLAXS FIELD-INSTALL KIT IS PACKED IN A PROTECTION SLEEVE WITH THE INSTRUCTION SHEET SHOWN
- 2 PACKED PER 40 ASSEMBLIES IN A BOX

PART NUMBER	"L" (meter)	CABLE DIAMETER
2061664-1	0.5 ±0.02	5.0-9.0 mm
2061664-2	0.3 ±0.02	5.0-9.0 mm
2061664-3	0.5 ±0.02	4.5-6.5 mm
2061664-4	0.3 ±0.02	4.5-6.5 mm
2061664-5	0.14 ±0.02	4.5-6.5 mm
2061664-6	0.35 ±0.01	4.5-6.5 mm
2061664-7	0.40 ±0.02	4.5-6.5 mm

1	FOAC CABLE GLAND PG16	5
1	FOAC CABLE CONDUIT ADAPTER, PG16 INSIDE THREADED, BLACK	4
1	FOAC CABLE CONDUIT, OUTSIDE DIAMETER 21.2 mm, BLACK	3
1	FOAC CABLE CONDUIT ADAPTER, PG16 OUTSIDE THREADED, BLACK	2
1	FOAC FULLAXS™ FIELD INSTALL COUPLING	1
Qty	Description	Item

THIS DRAWING IS A CONTROLLED DOCUMENT.

DWN	R. COOLEN	21MAR2012	 TE Connectivity
CHK	S. BORGAS	22MAR2012	
APVD	A. HENGELMOLEN	22MAR2012	
NAME			
DIMENSIONS: mm TOLERANCES UNLESS OTHERWISE SPECIFIED: 0 PLC ± - 1 PLC ± - 2 PLC ± - 3 PLC ± - 4 PLC ± - ANGLES ± - MATERIAL - FINISH -			PRODUCT SPEC - APPLICATION SPEC - WEIGHT - CUSTOMER DRAWING
FIBER OPTIC FIELD INSTALL ASSEMBLY			SIZE A2 CAGE CODE 00779 DRAWING NO. C-2061664 RESTRICTED TO -
SCALE NTS			SHEET 1 OF 1 REV C1

## X-ON Electronics

Largest Supplier of Electrical and Electronic Components

*Click to view similar products for [Fibre Optic Cable Assemblies](#) category:*

*Click to view products by [TE Connectivity](#) manufacturer:*

Other Similar products are found below :

[7-21002-9](#) [760-1518](#) [FA04390-50-M-72-LC-N](#) [MLB 501 V RED](#) [MLB 501 V YELLOW](#) [1-3636-600-5208](#) [2061529-7](#) [1-6693182-0](#)  
[1754898-1](#) [21055-6](#) [FXBSCSCE2LM002](#) [3000005](#) [3-21053-2](#) [MLB 200/1 V BLACK](#) [MLB 2001 V RED](#) [MLB 2001 V YELLOW](#) [MLB 501](#)  
[V BLACK](#) [5492011-6](#) [106284-7000](#) [5492011-5](#) [5492011-8](#) [5492011-9](#) [8-21007-5](#) [2123524-2](#) [2123524-1](#) [106386-4447](#) [DFSM-SCSC-2M](#)  
[2123909-4](#) [2123909-8](#) [106273-0629](#) [2125046-1](#) [2821236-3](#) [2821310-2](#) [2821310-3](#) [2821313-4](#) [FX2ERLNLNSNM0.5](#) [CF-980062-074](#) [CF-](#)  
[901200-394](#) [CF-980062-073](#) [CF-980062-071](#) [CF-980062-075](#) [CF-980062-072](#) [17-300310-100](#) [2821236-2](#) [2821313-1](#) [G-FC-FC-S-002.0-DX-](#)  
[A-18-Y](#) [G-E2A-E2A-S-003.0-SX-A-18-Y](#) [956-322-502214](#) [FA04474](#) [1083665](#)