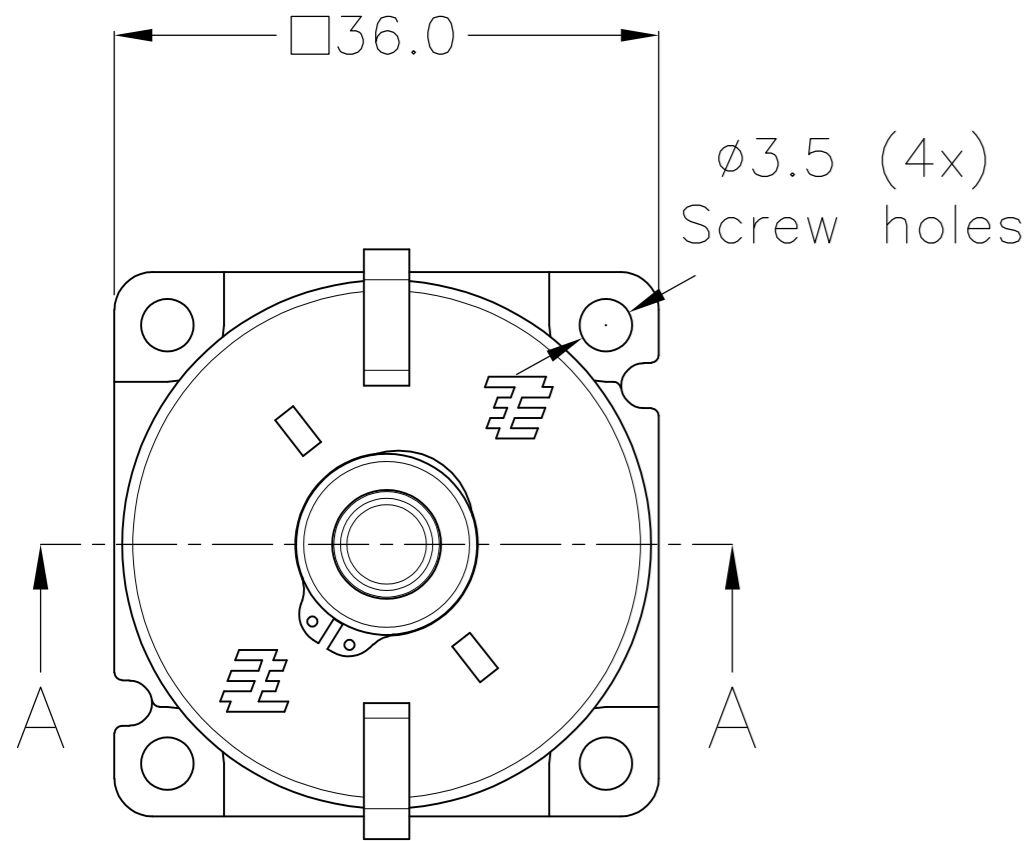
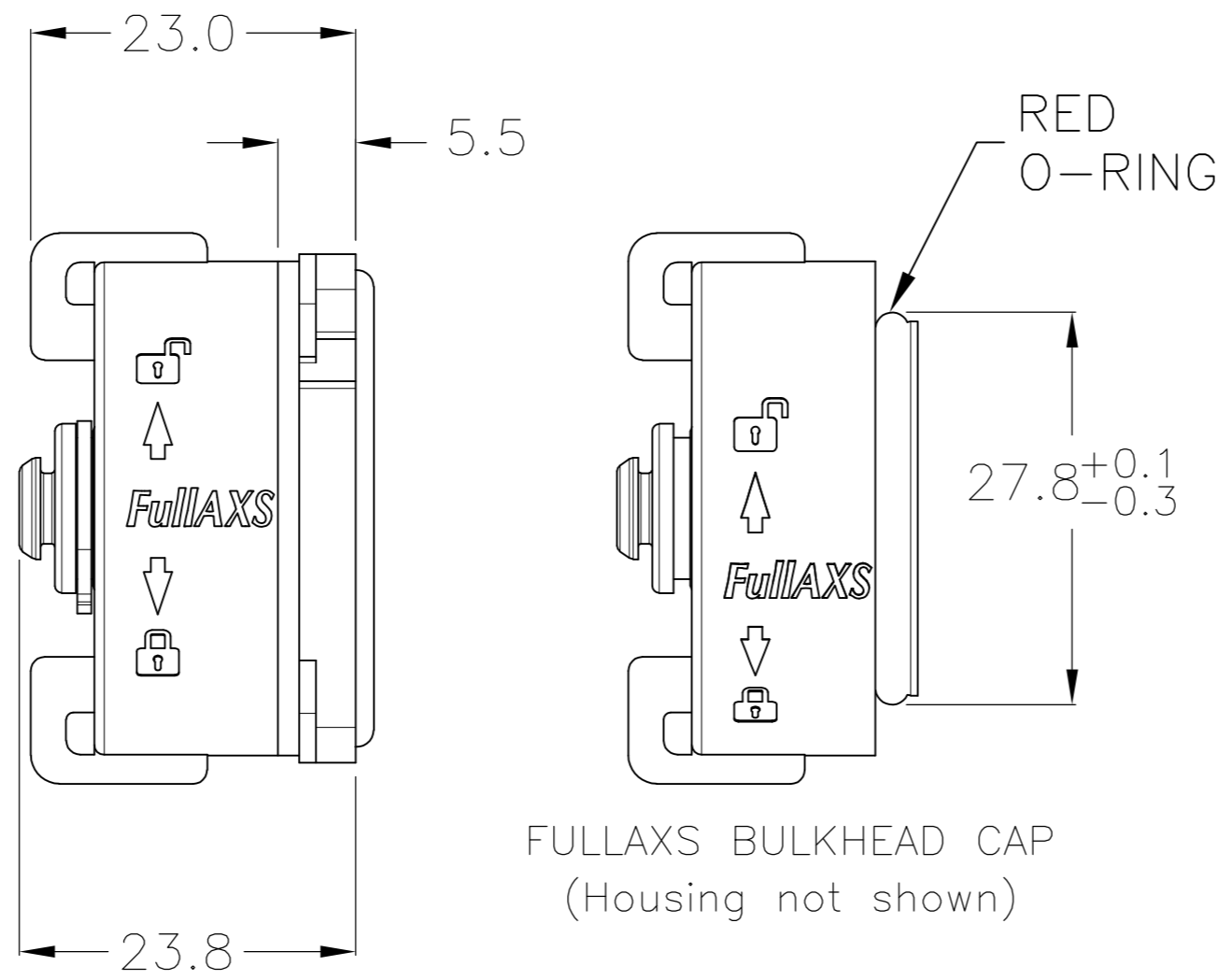


THIS DRAWING IS UNPUBLISHED. RELEASED FOR PUBLICATION  
 © COPYRIGHT - By - ALL RIGHTS RESERVED.

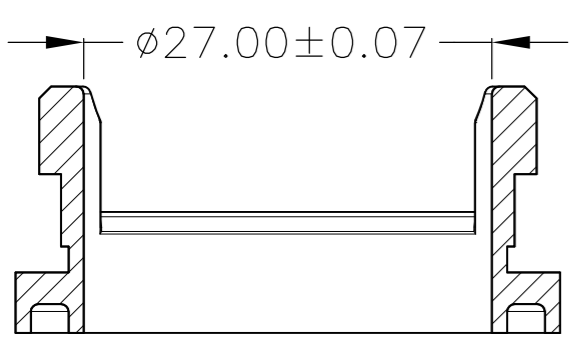
LOC		DIST		REVISIONS			
P	LTR	DESCRIPTION	DATE	DWN	APVD		
H	-	A	INITIAL RELEASE	17DEC2013	RC	EVS	



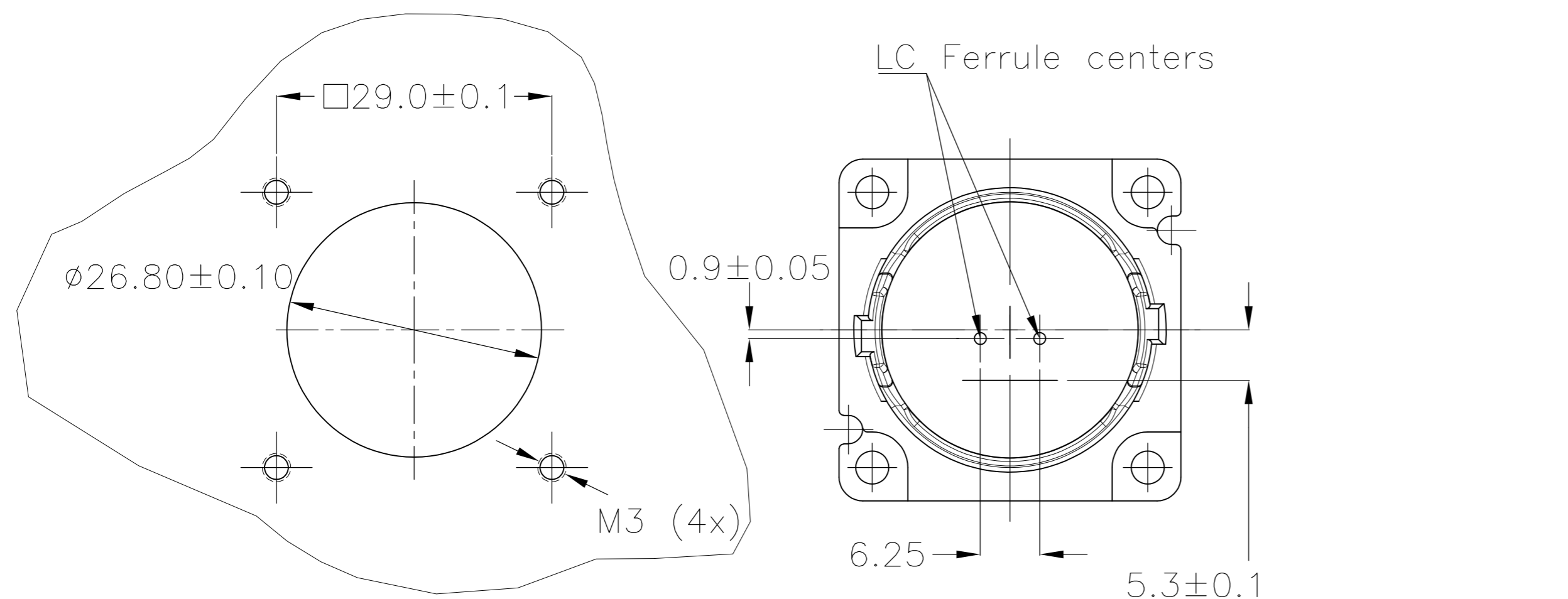
ASSEMBLED 2061843-1  
(cord not shown)



FULLAXS BULKHEAD CAP  
(Housing not shown)

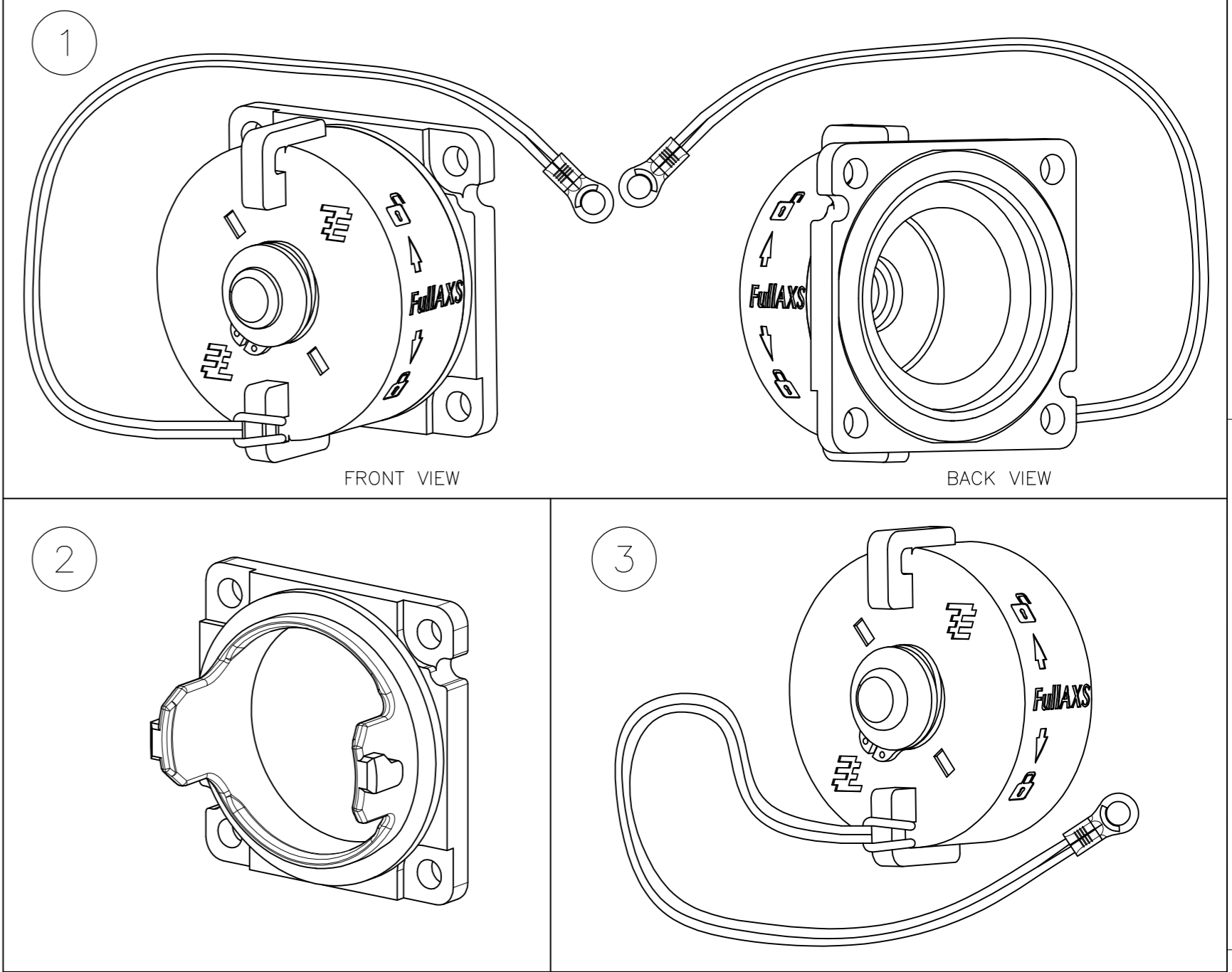


SECTION A-A  
(Cap not shown)



Recommended panel cutout  
for the assembly and housing

Center of bulkhead  
adapter to top of PCB.



NOTE:

SHOWN DIMENSIONS ARE FOR REFERENCE ONLY

ITEM	TE PART NUMBER	DESCRIPTION
1	2061843-1	FOKIT FULLAXS BULKHEAD ASSEMBLY, IP67
2	2061843-2	FOAC FULLAXS BULKHEAD HOUSING
3	2061843-3	FOAC FULLAXS BULKHEAD CAP, IP67

THIS DRAWING IS A CONTROLLED DOCUMENT.		DWN R. COOLEN 17DEC2013		
DIMENSIONS: mm		CHK A. HENGELMOLEN 17DEC2013		
TOLERANCES UNLESS OTHERWISE SPECIFIED:		APVD E. VERVOORT-SERVENS 17DEC2013	NAME	
0 PLC ± -		PRODUCT SPEC	FOKIT FULLAXS BULKHEAD ASSEMBLY, IP67	
1 PLC ± -		APPLICATION SPEC	SIZE A2	CAGE CODE 00779
2 PLC ± -		WEIGHT -	DRAWING NO C=2061843	RESTRICTED TO -
3 PLC ± -		CUSTOMER DRAWING	SCALE NTS	SHEET 1 of 1
4 PLC ± -				REV A
ANGLES ± -				
FINISH -				

## X-ON Electronics

Largest Supplier of Electrical and Electronic Components

*Click to view similar products for [Fibre Optic Cable Assemblies](#) category:*

*Click to view products by [TE Connectivity](#) manufacturer:*

Other Similar products are found below :

[7-21002-9](#) [760-1518](#) [FA04390-50-M-72-LC-N](#) [MLB 501 V RED](#) [MLB 501 V YELLOW](#) [1-3636-600-5208](#) [2061529-7](#) [1-6693182-0](#)  
[1754898-1](#) [21055-6](#) [FXBSCSCE2LM002](#) [3000005](#) [3-21053-2](#) [MLB 200/1 V BLACK](#) [MLB 2001 V RED](#) [MLB 2001 V YELLOW](#) [MLB 501](#)  
[V BLACK](#) [5492011-6](#) [106284-7000](#) [5492011-5](#) [5492011-8](#) [5492011-9](#) [8-21007-5](#) [2123524-2](#) [2123524-1](#) [106386-4447](#) [DFSM-SCSC-2M](#)  
[2123909-4](#) [2123909-8](#) [106273-0629](#) [2125046-1](#) [2821236-3](#) [2821310-2](#) [2821310-3](#) [2821313-4](#) [FX2ERLNLNSNM0.5](#) [CF-980062-074](#) [CF-](#)  
[901200-394](#) [CF-980062-073](#) [CF-980062-071](#) [CF-980062-075](#) [CF-980062-072](#) [17-300310-100](#) [2821236-2](#) [2821313-1](#) [G-FC-FC-S-002.0-DX-](#)  
[A-18-Y](#) [G-E2A-E2A-S-003.0-SX-A-18-Y](#) [956-322-502214](#) [FA04474](#) [1083665](#)