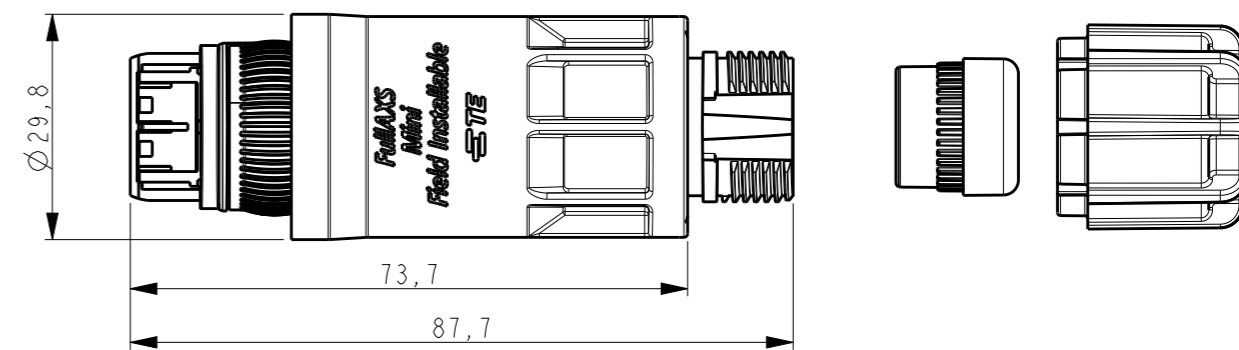
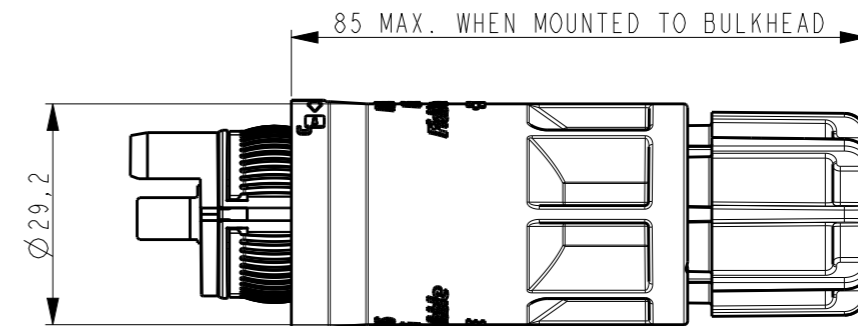
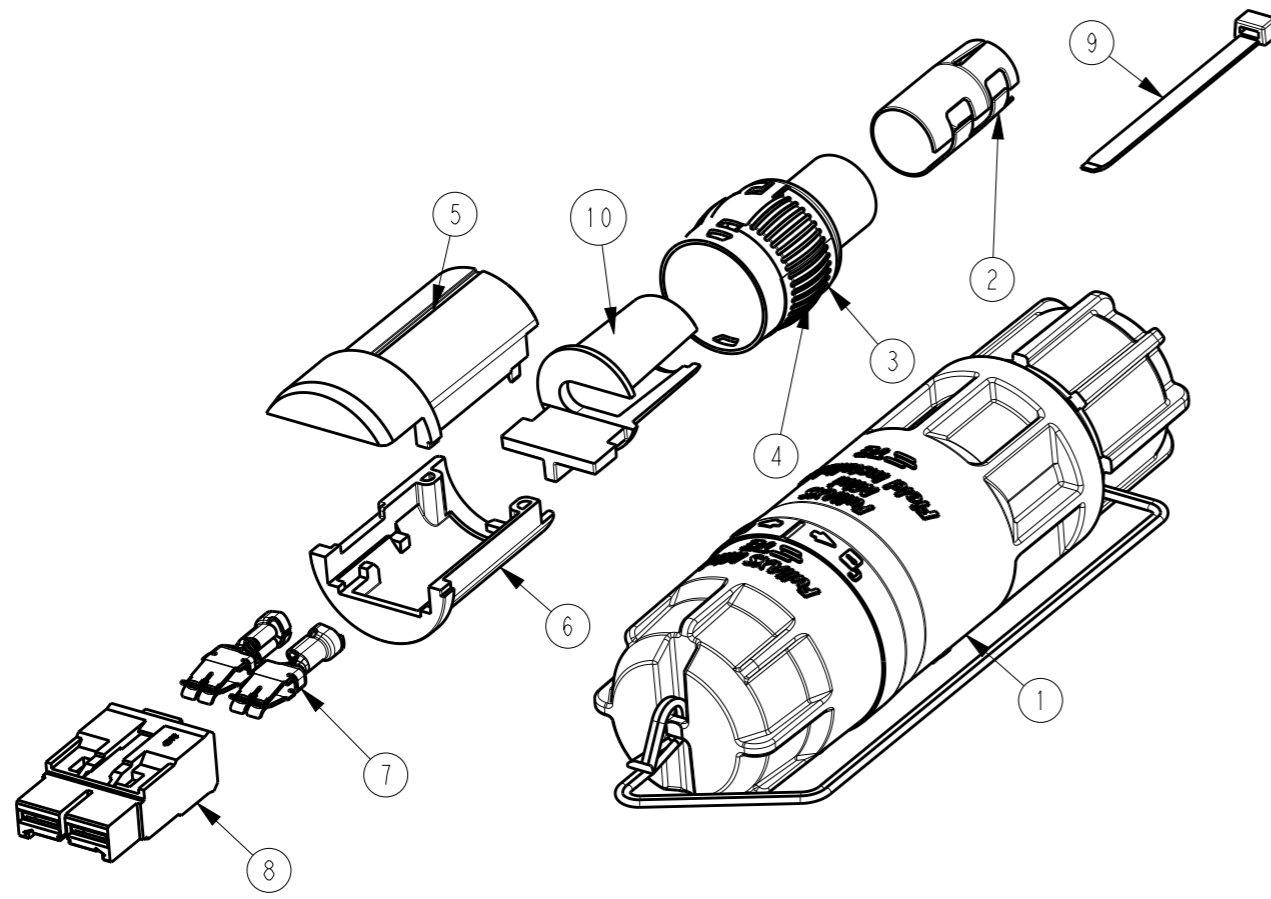


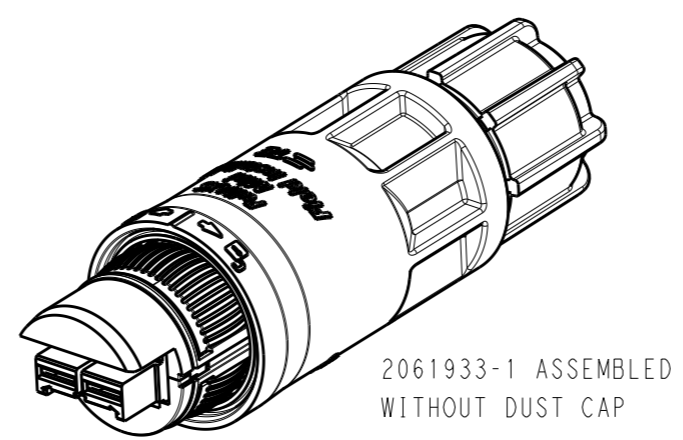
REVISIONS

P	LTR	DESCRIPTION	DATE	DWN	APVD
	A	NEW RELEASE	02NOV2016	KZ	RS
	B	PER ECR-17-011351	05JUN2018	BW	RS



TE Part Number	Cable Diameter
2061933-1	7.3 - 9.0 mm

- NOTES:
1. THIS FullPOWER FIELD INSTALL ASSEMBLY KIT SHOULD BE USED WITH RUGGEDIZED CABLE AND RUGGED FAN-OUT CONSTRUCTION NO 900 MICRON TERMINATIONS TO BE USED
  2. CABLE DIAMETER RANGE: SEE TABLE
  3. THE FLAMMABILITY RATING OF THE MATERIAL IS UL94-V0
  4. THE MATERIAL IS HALOGEN FREE ACCORDING IEC 60754-2
  5. AN INSTRUCTION SHEET IS PACKED WITH EACH FIELD INSTALL KIT



10	Spacer	1
9	Cable Tie	1
8	FullPOWER ET Power Housing	1
7	FullPOWER ET Power Timer Contact	3
6	FullPOWER Alignment Adapter Bottom	1
5	FullPOWER Alignment Adapter Top	1
4	FullPOWER Outer Ferrule	1
3	FullPOWER Ferrule spring	1
2	FullPOWER Inner Ferrule	1
1	FullPOWER MINI Field Install Sub-Assembly	1
Item	Description	Qty

THIS DRAWING IS A CONTROLLED DOCUMENT.		DWN R. COOLEN 09FEB2015		
DIMENSIONS: mm		CHK -		
TOLERANCES UNLESS OTHERWISE SPECIFIED:		APVD S. BORGAS	NAME FullPOWER MINI FIELD INSTALL ASSEMBLY KIT	
0 PLC ±0,2		PRODUCT SPEC -	SIZE A3	CAGE CODE -
1 PLC ±0,1		APPLICATION SPEC -	DRAWING NO C-2061933	RESTRICTED TO -
2 PLC ±0,05		WEIGHT -	SCALE 1:1	SHEET 1 OF 1
3 PLC ±0,025		CUSTOMER DRAWING	REV B	
4 PLC ±0,005				
ANGLES ±2°				
MATERIAL -				
FINISH -				

## X-ON Electronics

Largest Supplier of Electrical and Electronic Components

*Click to view similar products for [Heavy Duty Power Connectors](#) category:*

*Click to view products by [TE Connectivity](#) manufacturer:*

Other Similar products are found below :

[647757-1](#) [6643411-1](#) [6646058-2](#) [6646137-1](#) [6646138-1](#) [6646479-1](#) [6646608-1](#) [6646786-1](#) [6646940-1](#) [6651091-1](#) [6651525-1](#) [6651529-1](#)  
[6651788-1](#) [696475-1](#) [702-32-01109](#) [703-25-02205](#) [73000005059](#) [73000005642](#) [73080255059](#) [73080965046](#) [765-15-0080A](#) [765-16-0080B](#)  
[765-18-0080D](#) [829992-1](#) [902-77-02113](#) [PS00/A0620/6300](#) [PS25/A0420/63](#) [129-1J](#) [1409400](#) [AN0024023](#) [E6374G1](#) [e6389g2](#) [157-43GW8](#)  
[MS3117-14AC](#) [1643543-1](#) [1650540-1](#) [1651811-2](#) [1766260-1](#) [1766282-1](#) [1766966-1](#) [1791340000](#) [NLDFT-3-BL-L-S120-M40A](#) [NLDFT-N-](#)  
[W-L-C240-M40B](#) [NLS-2-R-C240-M40B](#) [NLS-N-W-C240-M40B](#) [NPS-3-BL-T6](#) [1986615-1](#) [2-1589900-8](#) [2199314-1](#) [KA8102](#)