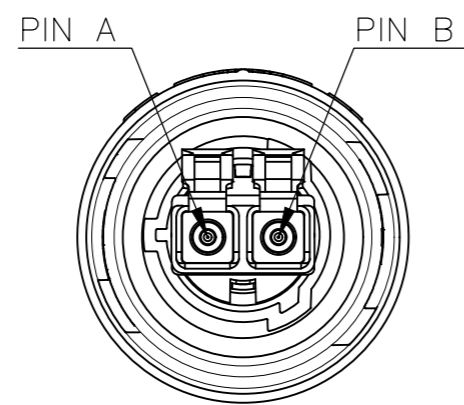
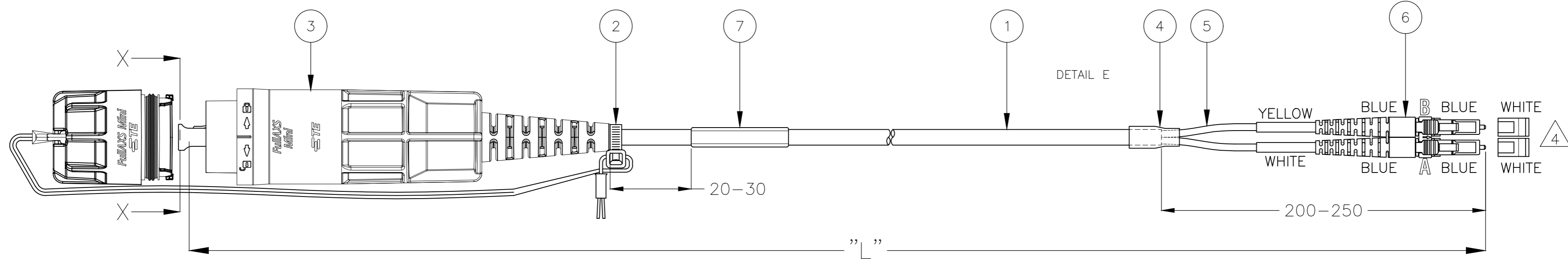


THIS DRAWING IS UNPUBLISHED. RELEASED FOR PUBLICATION  
 © COPYRIGHT - By - ALL RIGHTS RESERVED.

REVISIONS				
P	LTR	DESCRIPTION	DATE	DWN APVD
B		ECR-17-011351	05JUN2018	BW RS



VIEW X-X  
(LC DUST COVERS NOT SHOWN)

FULLAXS MINI	LC CONN.
PIN A	B
PIN B	A

NOTES:

- 1 MAXIMUM CONNECTOR INSERTION LOSS IS 0.3 dB, MEASURED AT 1310nm AND 1550 nm ACCORDING TO IEC 61300-3-4 INSERTION METHOD BB
- 2 MIN. RETURN LOSS 45 dB, IN MATED CONDITION AT 1310 nm AND 1550 nm
- 3 CABLE INFORMATION
  - CORE DIAMETER: 9/125 um (2X)
  - OUTER JACKET DIAMETER: 4.8 mm
  - OUTER JACKET COLOR: BLACK
  - OUTER JACKET MATERIAL: LSZH
  - CABLE ATTENUATION: 0.4 dB/km @ 1310 nm OR 0.25 dB/km @ 1550 nm

STANDARD LENGTHS ACCORDING TO PRODUCT DRAWING 1206850

PART NUMBER	"L" (meter)
X-2061980-Y	XY.0
2061980-1	1.0±0.05
2061980-2	2.0±0.05
2061980-3	3.0±0.05
2061980-5	5.0±0.05
1-2061980-0	10.0±0.1
2-2061980-0	20.0±0.2
3-2061980-0	30.0±0.3
5-2061980-0	50.0 -0/+1.0
7-2061980-0	70.0 -0/+1.0
9-2061980-9	100.0 -0/+3.0
9-2061980-8	150.0 -0/+3.0
9-2061980-7	200.0 -0/+3.0
9-2061980-6	250.0 -0/+3.0
9-2061980-5	300.0 -0/+3.0
9-2061980-4	350.0 -0/+3.0
9-2061980-3	400.0 -0/+3.0
9-2061980-2	450.0 -0/+3.0
9-2061980-1	500.0 -0/+3.0

1	TRACE LABEL	7
1	LC DUPLEX CONNECTOR, SM, BLUE	6
1	PROTECTIVE TUBING	5
1	HEAT SHRINK TUBING, BLACK	4
1	FULLAXS MINI LC DUPLEX PLUG ASSEMBLY, SM	3
1	FULLAXS MINI STOPER, CABLE TIE	2
1	FOCAB Ø4.8 2F GLARO, G657A2, BLACK	1
Qty	Description	Item

THIS DRAWING IS A CONTROLLED DOCUMENT.		DWN R. COOLEN 10DEC2014		
DIMENSIONS: mm		CHK -		
TOLERANCES UNLESS OTHERWISE SPECIFIED:		APVD -	NAME	
0 PLC ± -		PRODUCT SPEC -	FOSM GLARO LEAD 4.8	
1 PLC ± -		APPLICATION SPEC -	FULLAXS MINI LC/DPX - LC/DPX	
2 PLC ± -		WEIGHT 0	SIZE A2	CAGE CODE 00779
3 PLC ± -		MATERIAL -	DRAWING NO C=2061980	RESTRICTED TO -
4 PLC ± -		FINISH -	SCALE NTS	SHEET 1 of 1
ANGLES ± -		CUSTOMER DRAWING	REV B	

## X-ON Electronics

Largest Supplier of Electrical and Electronic Components

*Click to view similar products for [Fibre Optic Cable Assemblies](#) category:*

*Click to view products by [TE Connectivity](#) manufacturer:*

Other Similar products are found below :

[7-21002-9](#) [760-1518](#) [FA04390-50-M-72-LC-N](#) [MLB 501 V RED](#) [MLB 501 V YELLOW](#) [1-3636-600-5208](#) [2061529-7](#) [1-6693182-0](#)  
[1754898-1](#) [21055-6](#) [FXBSCSCE2LM002](#) [3000005](#) [3-21053-2](#) [MLB 200/1 V BLACK](#) [MLB 2001 V RED](#) [MLB 2001 V YELLOW](#) [MLB 501](#)  
[V BLACK](#) [5492011-6](#) [106284-7000](#) [5492011-5](#) [5492011-8](#) [5492011-9](#) [8-21007-5](#) [2123524-2](#) [2123524-1](#) [106386-4447](#) [DFSM-SCSC-2M](#)  
[2123909-4](#) [2123909-8](#) [106273-0629](#) [2125046-1](#) [2821236-3](#) [2821310-2](#) [2821310-3](#) [2821313-4](#) [FX2ERLNLNSNM0.5](#) [CF-980062-074](#) [CF-](#)  
[901200-394](#) [CF-980062-073](#) [CF-980062-071](#) [CF-980062-075](#) [CF-980062-072](#) [17-300310-100](#) [2821236-2](#) [2821313-1](#) [G-FC-FC-S-002.0-DX-](#)  
[A-18-Y](#) [G-E2A-E2A-S-003.0-SX-A-18-Y](#) [956-322-502214](#) [FA04474](#) [1083665](#)