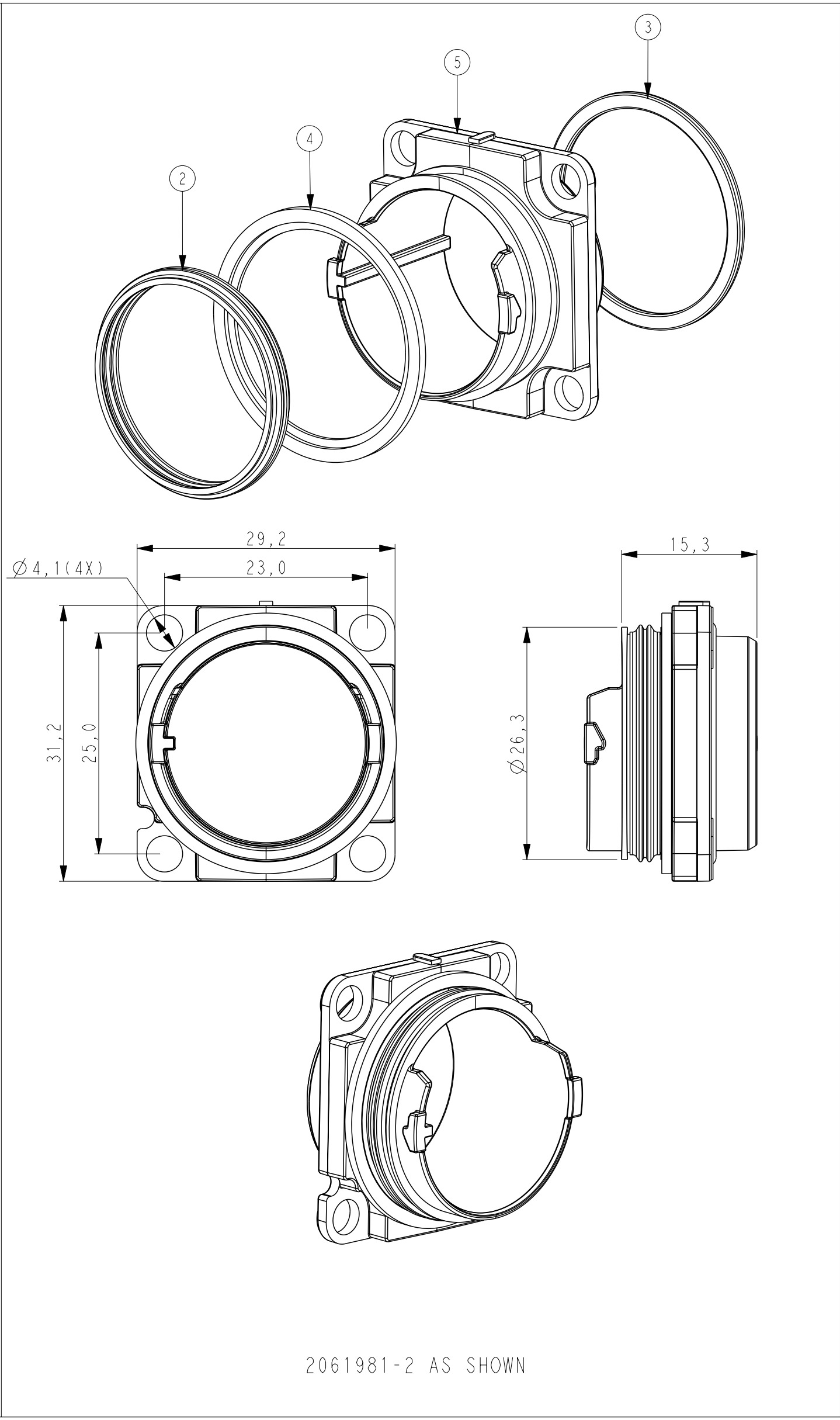
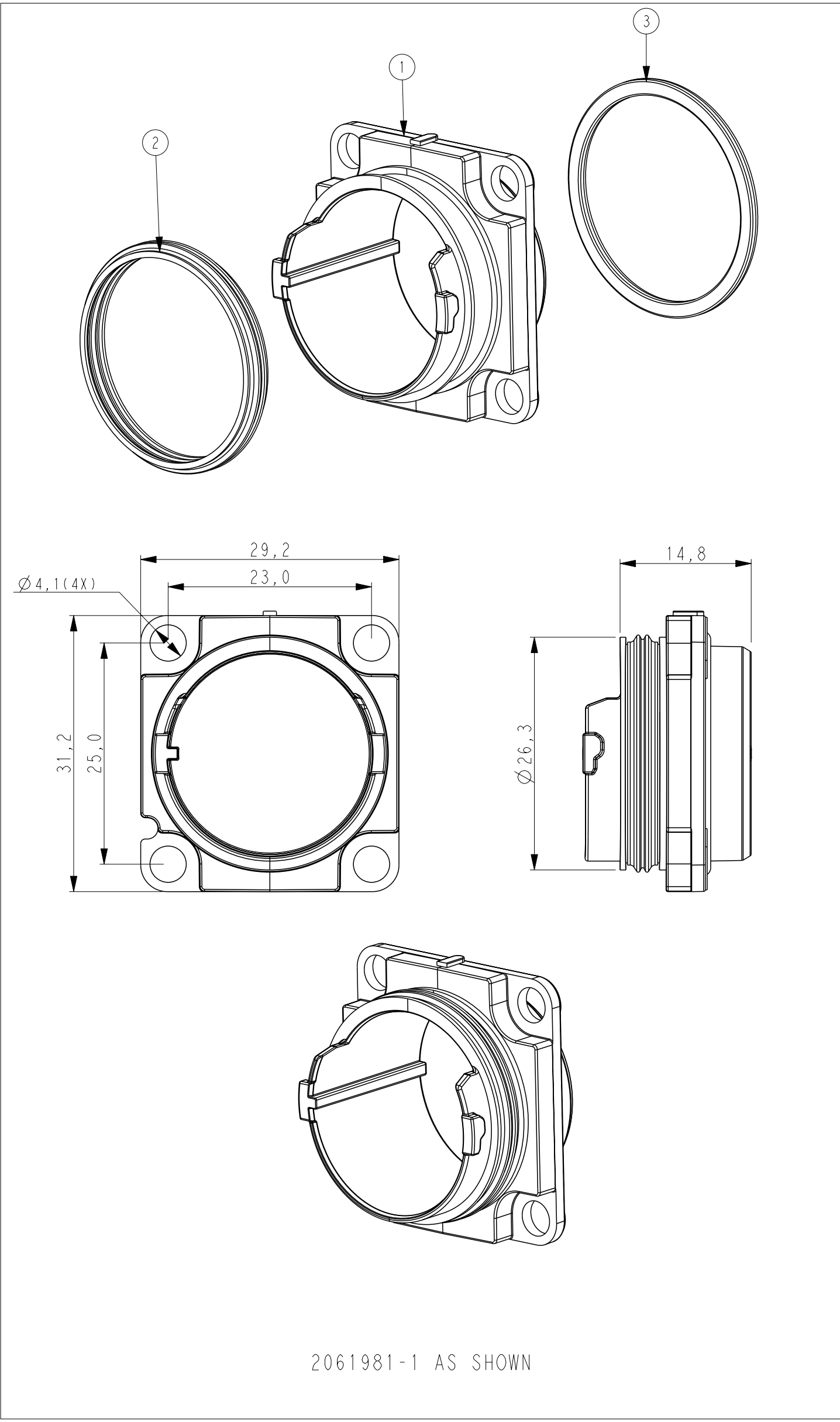
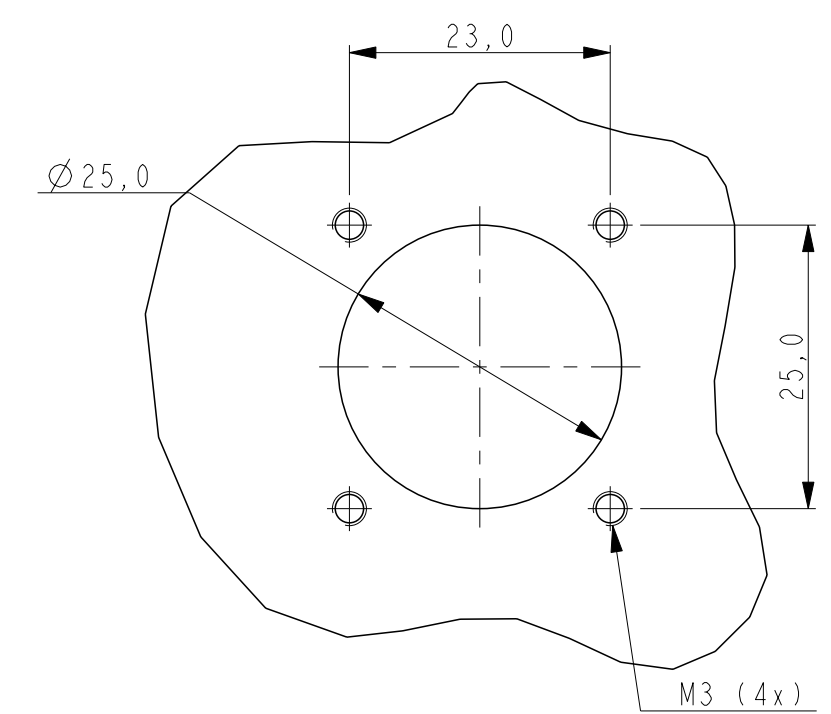


THIS DRAWING IS UNPUBLISHED. RELEASED FOR PUBLICATION 2014  
 © COPYRIGHT 2014 BY - ALL RIGHTS RESERVED.

REVISIONS				
P	LTR	DESCRIPTION	DATE	APVD
E		ECR-19-016191	17OCT2019	BW RS



Recommended panel cutout for 2061981-1/-2  
 Use correct screws



NOTE:  
 ⚠️ NO TOOLING FOR JOHNSON RING BULKHEAD 2061981-4

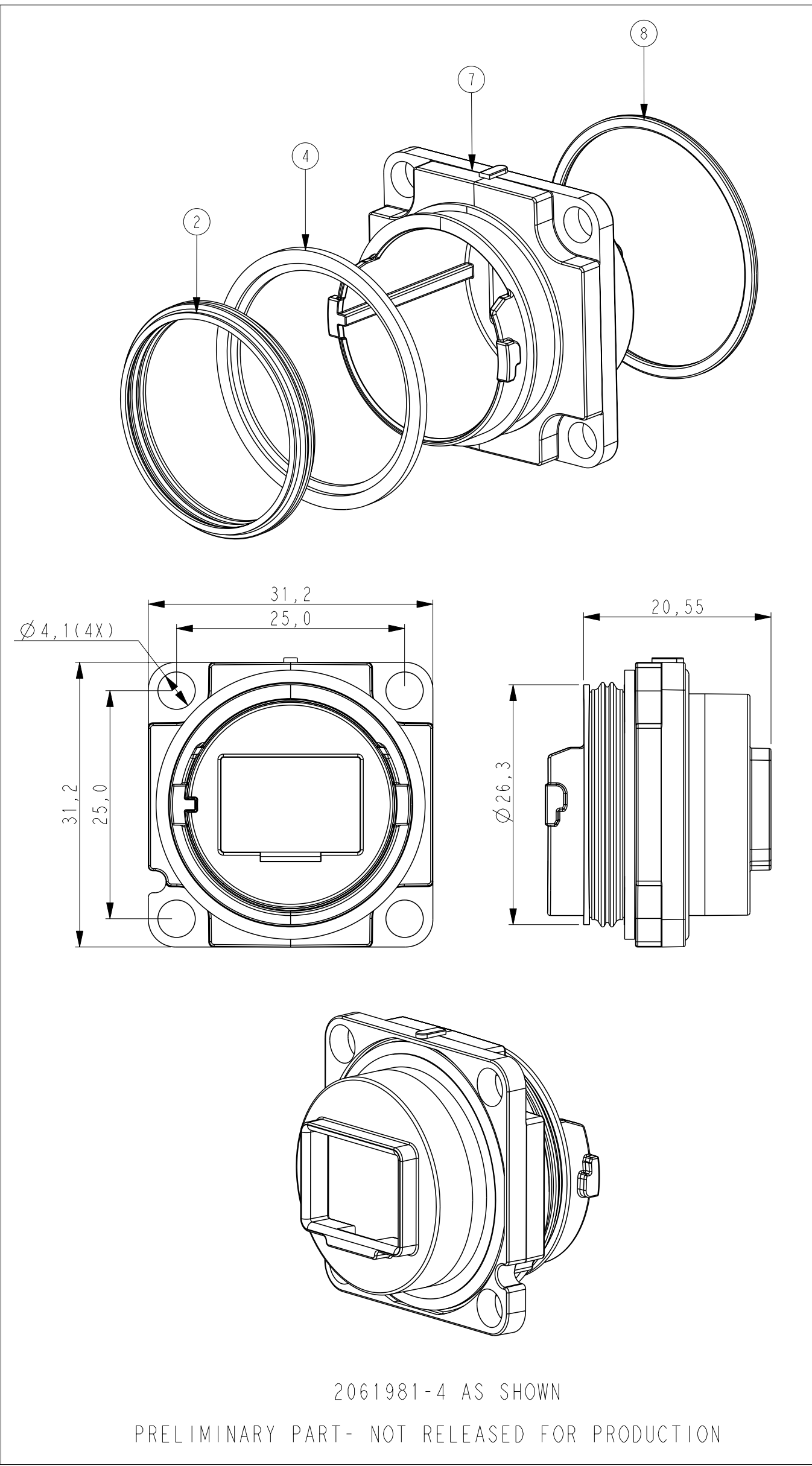
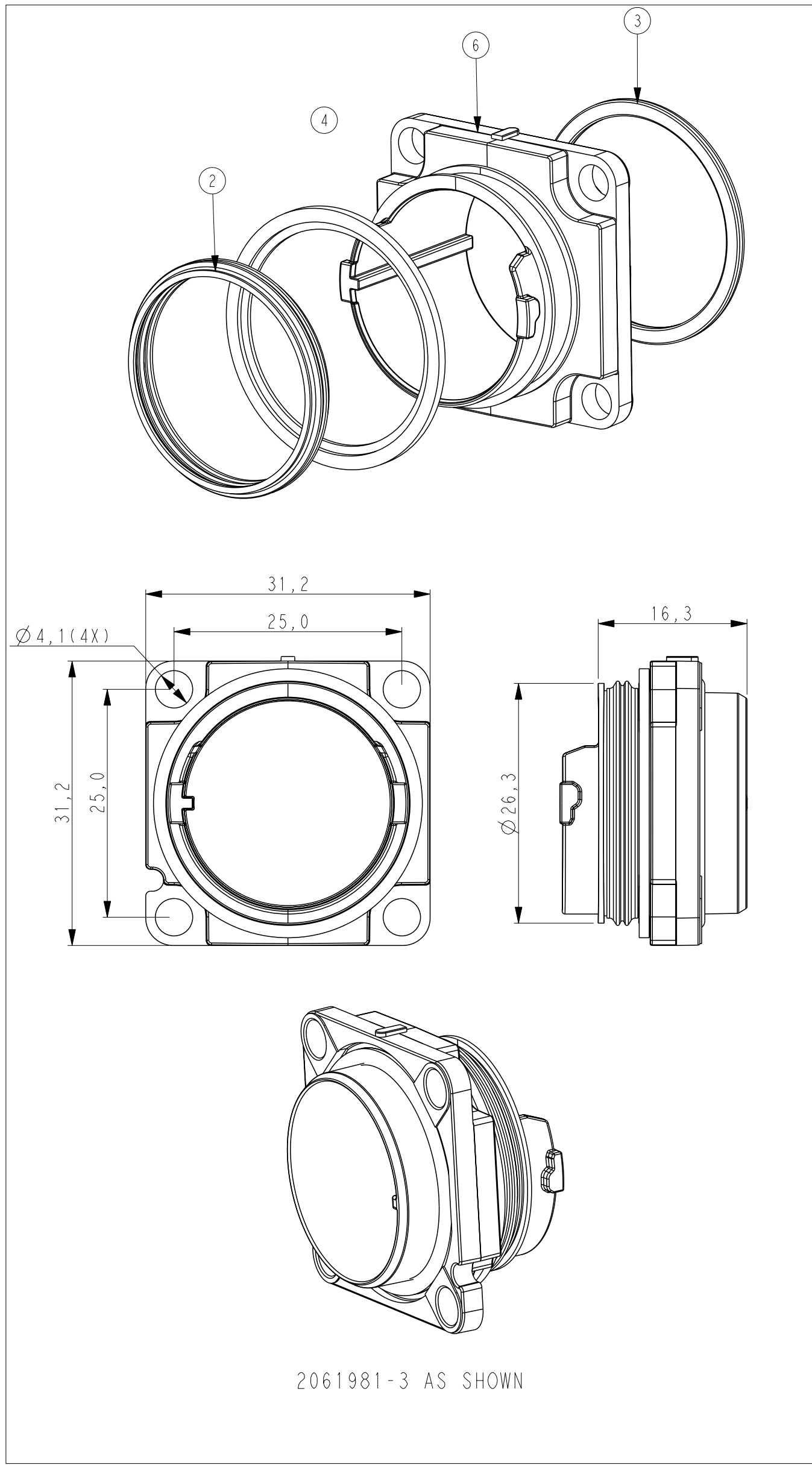
QTY	QTY	QTY	QTY	Description	Item
2061981-4	2061981-3	2061981-2	2061981-1		
1	-	-	-	FOAC FULLAXS MINI D-RING FOR JOHNSON RING	8
1	-	-	-	FOAC FULLAXS MINI BULKHEAD W/JOHNSON RING	7
-	1	-	-	FOAC FULLAXS MINI BULKHEAD, EXTENDED	6
-	-	1	-	FOAC FULLAXS MINI BULKHEAD, PLATED, IMPROVING	5
1	1	1	-	FOAC FULLAXS MINI FRONT SEAL	4
-	1	1	1	FOAC FULLAXS MINI D-RING	3
1	1	1	1	FOAC FULLAXS MINI PERIPHERAL SEAL	2
-	-	-	1	FOAC FULLAXS MINI BULKHEAD, PLATED	1

THIS DRAWING IS A CONTROLLED DOCUMENT. DWN R. COOLEN 24MAR2015  
 CHK B. MOOIJ  
 APVD S. BORGAS  
 PRODUCT SPEC -  
 APPLICATION SPEC -  
 WEIGHT -  
 CUSTOMER DRAWING

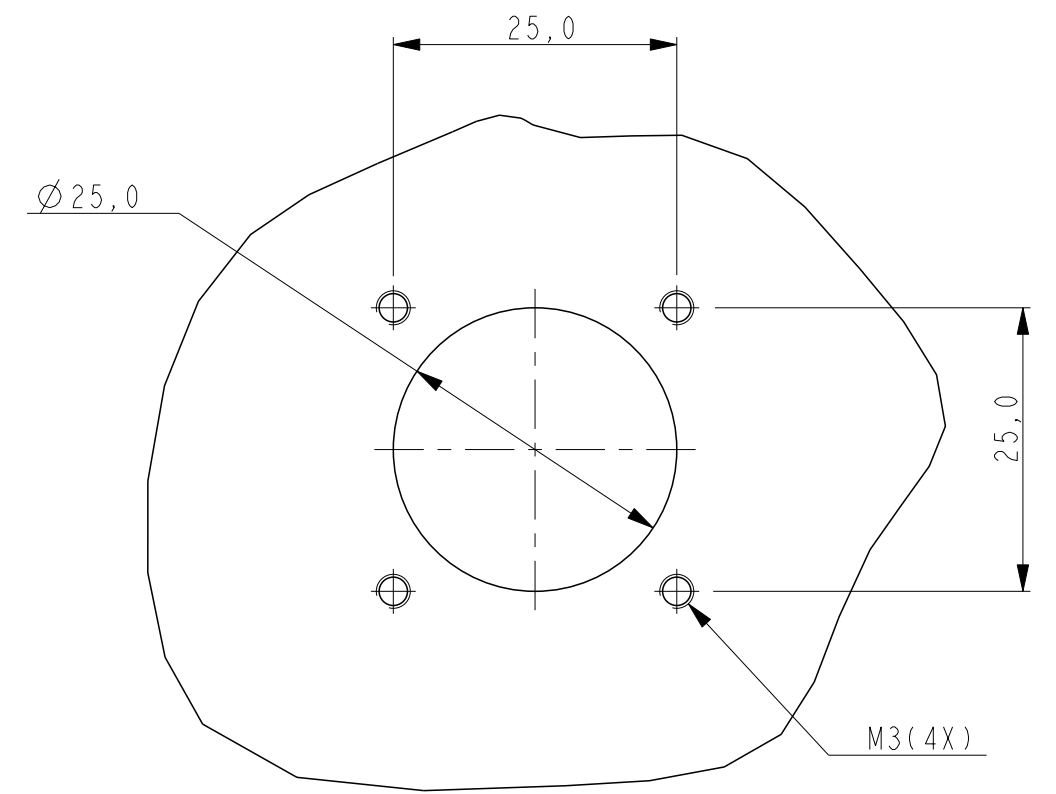
**STE** TE Connectivity  
 NAME FULLAXS MINI BULKHEAD  
 SIZE A2 CAGE CODE - DRAWING NO C-2061981 RESTRICTED TO -  
 SCALE 1:1 SHEET 1 OF 2 REV E

THIS DRAWING IS UNPUBLISHED. RELEASED FOR PUBLICATION 2014  
 © COPYRIGHT 2014 BY - ALL RIGHTS RESERVED.

REVISIONS				
P	LTR	DESCRIPTION	DATE	APVD
-	-	SEE SHEET 1	-	-



Recommended panel cutout for 2061981-3/-4  
 Use correct screws



THIS DRAWING IS A CONTROLLED DOCUMENT.		DWN R. COOLEN	24MAR2015	<b>STE</b> TE Connectivity	
DIMENSIONS: mm		CHK B. MOOIJ	APVD S. BORGAS		
TOLERANCES UNLESS OTHERWISE SPECIFIED:		PRODUCT SPEC		SIZE A2	CAGE CODE -
0 PLC ±0,25		APPLICATION SPEC		DRAWING NO C-2061981	RESTRICTED TO -
1 PLC ±0,2		WEIGHT		SCALE 1:1	SHEET 2 OF 2
2 PLC ±0,1		CUSTOMER DRAWING		REV E	
3 PLC ±0,025					
4 PLC ±0,005					
ANGLES ±2°					
FINISH					

## X-ON Electronics

Largest Supplier of Electrical and Electronic Components

*Click to view similar products for [Fibre Optic Connectors](#) category:*

*Click to view products by [TE Connectivity](#) manufacturer:*

Other Similar products are found below :

[0004700001](#) [6100-R](#) [6313](#) [F709034706](#) [F709722200](#) [F709730000](#) [F718183204](#) [F727403500](#) [F727752800](#) [8119](#) [9440F20-27S-190](#) [944-120-6001](#) [9441F10SL-3S](#) [9444W28-21S](#) [9444W36-10S](#) [9446F10SL-4S](#) [9446W20-16S](#) [953-101-5310-P](#) [954-101-57202B](#) [A0270169](#) [12-9122](#) [12-5702](#) [AX101713](#) [AX102420](#) [AX103923](#) [AX104024](#) [AX104193](#) [AX104230](#) [AX104562](#) [AX105203-B25](#) [AX105205-S1](#) [EHSC2M](#) [181-011-126](#) [181-011-S](#) [181-057-126](#) [HRFC-R2\(40\)](#) [NKSOPBUY](#) [20500002116](#) [2064996-1](#) [20800001065](#) [2170](#) [9132](#) [2612](#) [2620](#) [9291](#) [9440F16-10S](#) [9440F20-18S](#) [9446F16-10S-190](#) [953-106-50231](#) [953-120-5003](#)