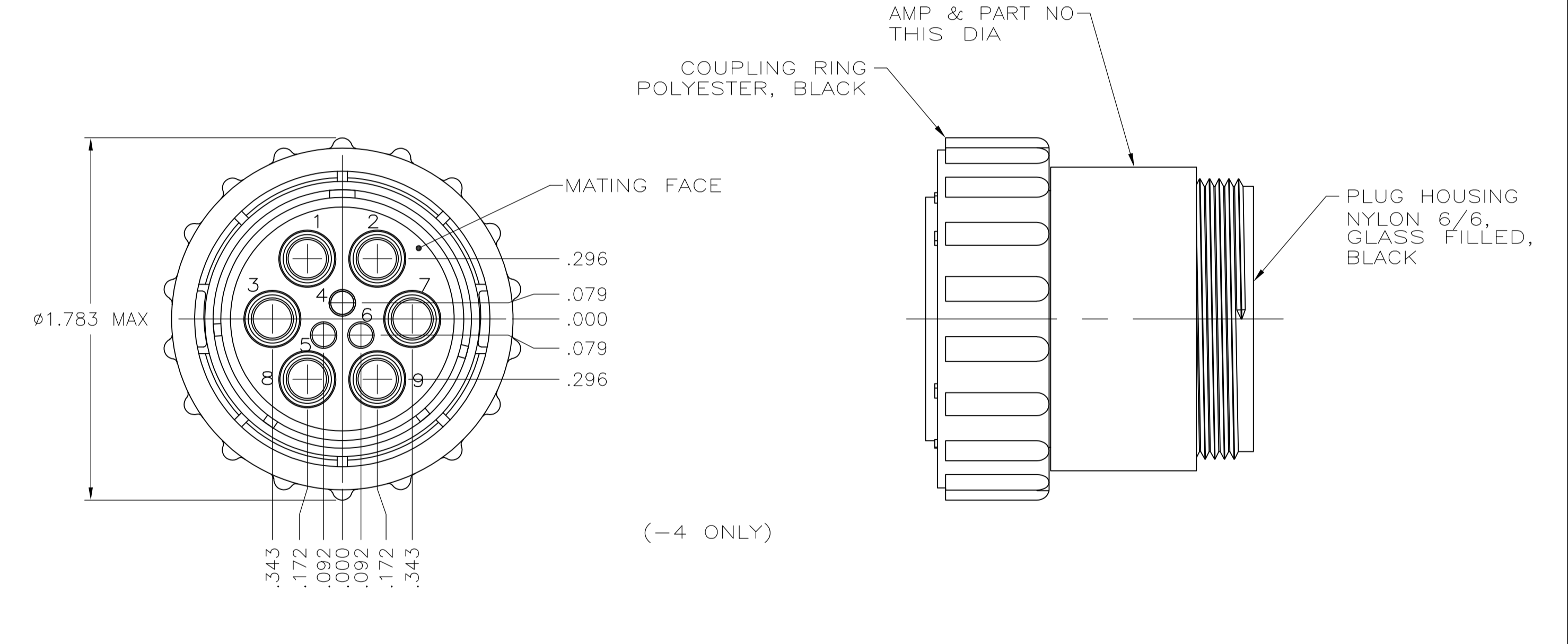
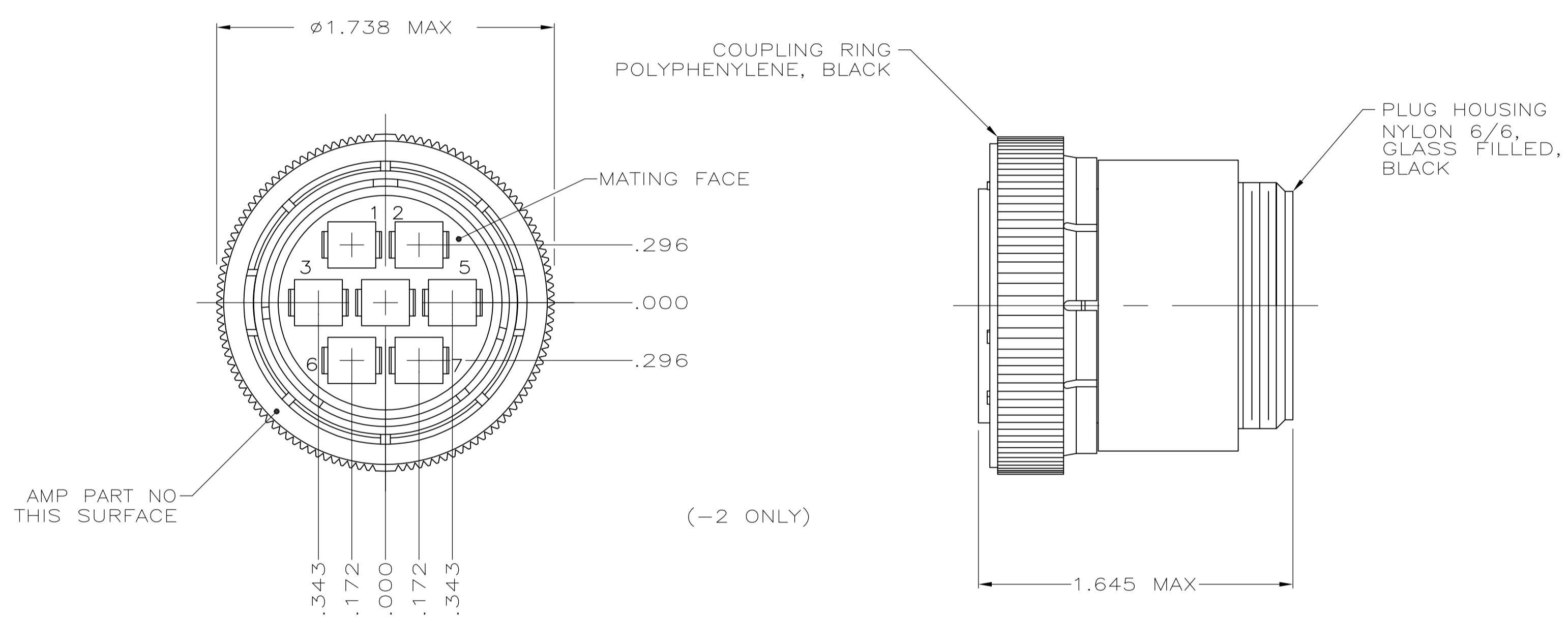
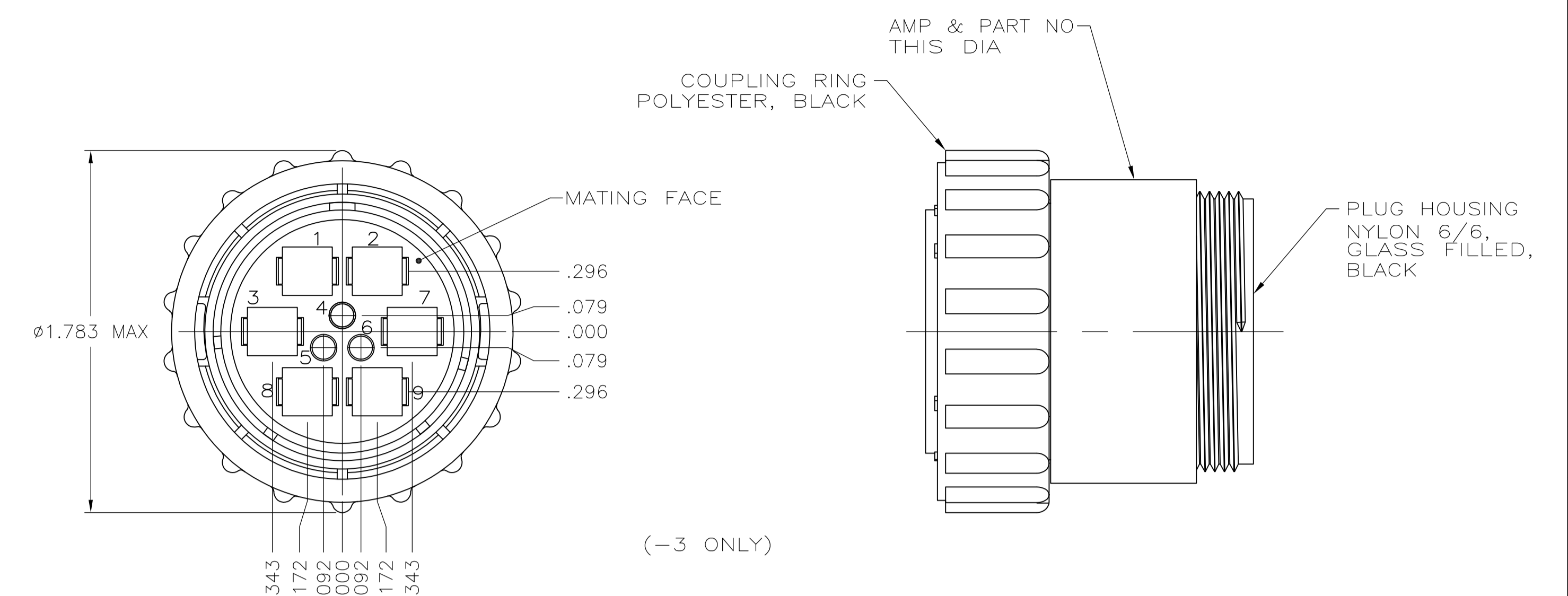
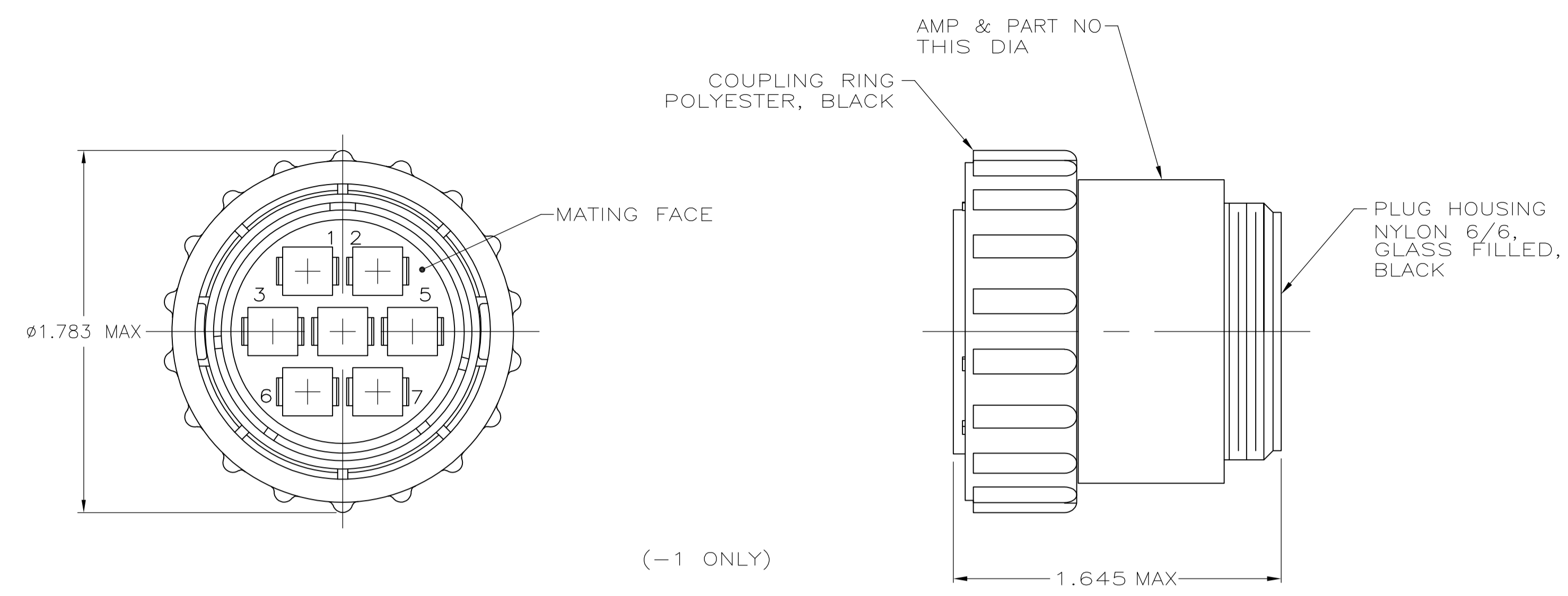


REVISIONS				
P	LTR	DESCRIPTION	DATE	APPV
L3		REVISED PER ECO-16-004800	10SEP2016	NK MZ



NOTES:

- CONTACT CAVITIES IDENTIFIED BY CHARACTERS ON FRONT AND REAR FACES OF CONNECTOR.
- 1 AND -2 WILL ACCEPT (7) SEVEN TYPE XII PIN CONTACTS.
- 3 WILL ACCEPT (6) SIX TYPE XII PIN CONTACTS AND (3) THREE TYPE III+ PIN CONTACTS.
- 4 WILL ACCEPT (6) SIX POWER BAND CONTACTS AND (3) THREE TYPE III+ PIN CONTACTS.
- PRELIMINARY PART NUMBER.
- OBSELETE PARTS: OBSELETE CIS STREAMLINING PER D.RENAUD/D.SINISI

4	OBSELETE	-206226-4-
3	OBSELETE	-206226-3-
2	OBSELETE	-206226-2-
1		206226-1

PART NUMBER

THIS DRAWING IS A CONTROLLED DOCUMENT.		DIN S.RIDGLEY BG 8/2/90		TE Connectivity	
DIMENSIONS: INCHES		CHK: R.STONE 04/26/91		NAME: PLUG ASSEMBLY, SHELL SIZE 23, REVERSE SEX, SERIES 3, CPC	
TOLERANCES UNLESS OTHERWISE SPECIFIED:		APVD: -		PRODUCT SPEC: -	
0 PLC ± -		APVD: -		APPLICATION SPEC: -	
1 PLC ± -		APVD: -		SIZE: A1	
2 PLC ± -		APVD: -		CAGE CODE: 00779	
3 PLC ± .005		APVD: -		DRAWING NO: 206226	
4 PLC ± -		APVD: -		RESTRICTED TO: -	
ANGLES ± -		APVD: -		WEIGHT: -	
MATERIAL: SEE CALLOUT		FINISH: -		CUSTOMER DRAWING	
		SCALE: 2:1		SHEET: 1 OF 1	
				REV: L3	

X-ON Electronics

Largest Supplier of Electrical and Electronic Components

Click to view similar products for [Standard Circular Connector](#) category:

Click to view products by [TE Connectivity](#) manufacturer:

Other Similar products are found below :

[5M2530B10P](#) [600259N006](#) [600273N007](#) [6134-336-13149](#) [6134-337-11149](#) [6134-337-2390](#) [6134-341-17149](#) [6280-4SG-516](#) [6280-7SG-3DC](#)
[6290](#) [6291A](#) [66200A-10](#) [680-SMG](#) [681-PMG](#) [CXS3102A14S2P](#) [CXS3102A181S](#) [7251-5SG-300](#) [7271-6SG-300](#) [7282-3PG-300-CH3](#) [75-](#)
[474618-01S](#) [75-474618-04P](#) [75-474618-04S](#) [799539-000](#) [MI8-SE](#) [805-005-07NF11-19PC](#) [805-005-07NF15-7PA](#) [8280-4PG-516](#) [8280-7PG-](#)
[519](#) [8282-5PG-519](#) [836783-1](#) [MP-4102-25P-C](#) [862256-1](#) [864019-2](#) [866857-1](#) [867865-1](#) [PT01SP-14-18P](#) [PT08P-14-5S](#) [PTSF06SE-14-12S](#)
[120-1833-000](#) [QCM019PC2DC012B](#) [1-2069279-1](#) [121583-0217](#) [121667-0020](#) [129591AU](#) [1000B BULK](#) [RD10A16-19-P6CS051/1](#)
[RD10A20-31-P8CS051/1](#) [RD16A14-12-S6CS051/2](#) [1301240290](#) [1301240347](#) [1301860202](#)