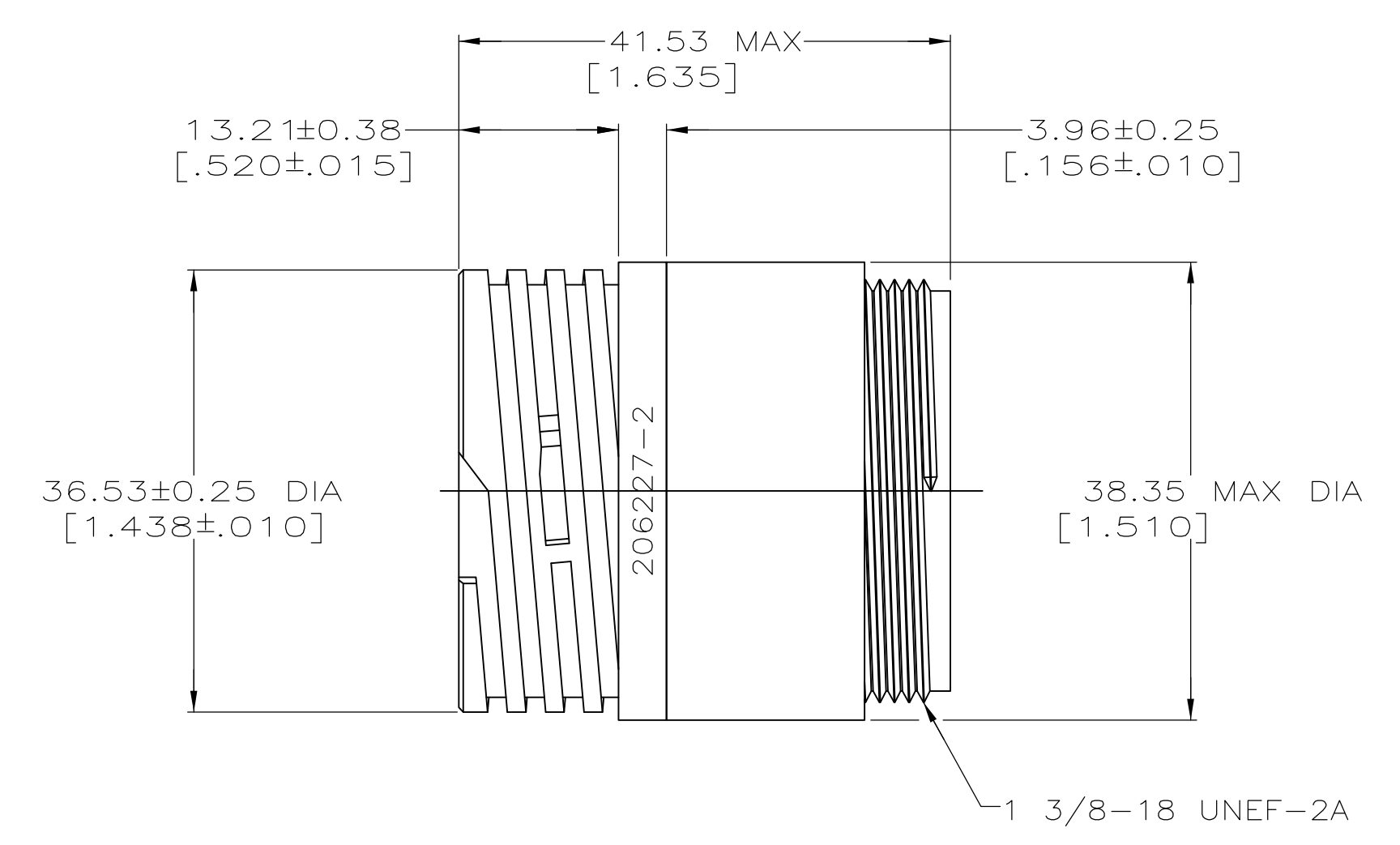
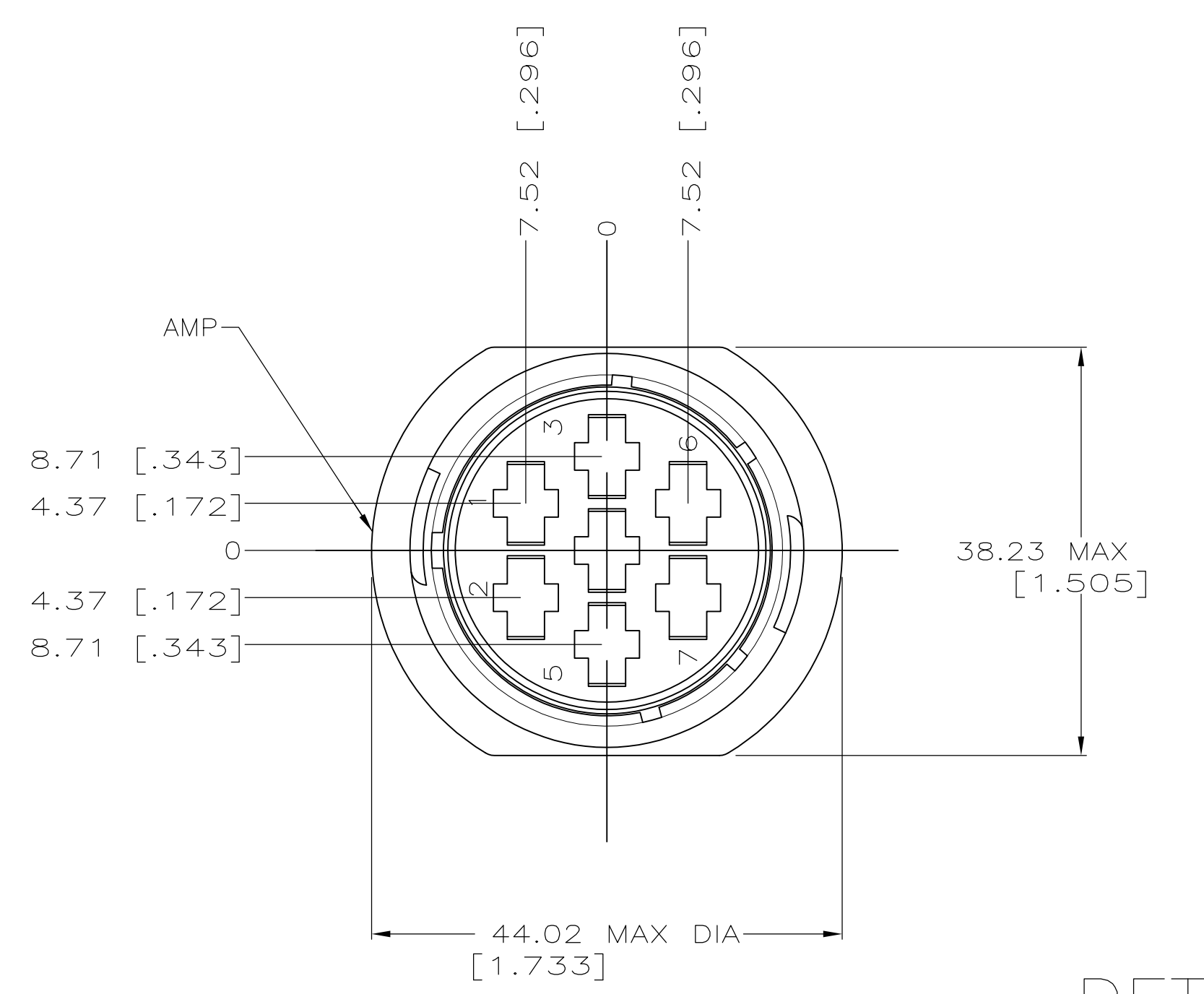


DETAIL A



DETAIL B

1. CAVITY IDENTIFICATION ON FRONT AND REAR FACE.
 2. WILL ACCEPT SEVEN (7) TYPE XII SOCKET CONTACTS.
- ⚠ #4 FASTENER RECOMMENDED FOR MOUNTING.
- ⚠ OBSOLETE PARTS: OBSOLETE CIS STREAMLINING PER D.RENAUD/D.SINISI

| | | | | |
|--|-----------------------|----------------------------|-----------------|-------------------------------|
| ⚠ OBSOLETE | 4-40 THREADED INSERTS | NO | A | 206227-6 |
| | 3.81±0.08 [.150±.003] | YES | A | 206227-5 |
| | 3.81±0.08 [.150±.003] | NO | B | 206227-2 |
| | 3.81±0.08 [.150±.003] | NO | A | 206227-1 |
| C | | PERIPHERAL SEAL SEE DETAIL | PART NUMBER | |
| THIS DRAWING IS A CONTROLLED DOCUMENT. | | DWN D.HARDY 05/31/94 | TE Connectivity | |
| DIMENSIONS: INCHES | | CHK W.G.LENKER 06/08/94 | NAME | |
| TOLERANCES UNLESS OTHERWISE SPECIFIED: | | APVD A.FRANTUM 07/13/94 | PRODUCT SPEC | |
| 0 PLC ± - | | APPLICATION SPEC | | 108-10024 |
| 1 PLC ± - | | SIZE | | A1 |
| 2 PLC ± 0.13 [.005] | | CAGE CODE | | 00779 |
| 3 PLC ± - | | DRAWING NO | | 206227 |
| 4 PLC ± - | | WEIGHT | | - |
| ANGLES ± - | | CUSTOMER DRAWING | | SCALE 2:1 SHEET 1 OF 1 REV M2 |

X-ON Electronics

Largest Supplier of Electrical and Electronic Components

Click to view similar products for [Standard Circular Connector](#) category:

Click to view products by [TE Connectivity](#) manufacturer:

Other Similar products are found below :

[5M2530B10P](#) [600259N006](#) [600273N007](#) [6134-336-13149](#) [6134-337-11149](#) [6134-337-2390](#) [6134-341-17149](#) [6280-4SG-516](#) [6280-7SG-3DC](#)
[6290](#) [6291A](#) [66200A-10](#) [680-SMG](#) [681-PMG](#) [CXS3102A14S2P](#) [CXS3102A181S](#) [7271-6SG-300](#) [7282-3PG-300-CH3](#) [75-474618-01S](#) [75-](#)
[474618-04P](#) [75-474618-04S](#) [799539-000](#) [MI8-SE](#) [805-005-07NF11-19PC](#) [805-005-07NF15-7PA](#) [8280-4PG-516](#) [8280-7PG-519](#) [8282-5PG-](#)
[519](#) [836783-1](#) [MP-4102-25P-C](#) [862256-1](#) [864019-2](#) [866857-1](#) [867865-1](#) [PT01SP-14-18P](#) [PT08P-14-5S](#) [120-1833-000](#)
[QCM019PC2DC012B](#) [1-2069279-1](#) [121583-0217](#) [121667-0020](#) [129591AU](#) [1000B BULK](#) [RD10A16-19-P6CS051/1](#) [RD10A20-31-](#)
[P8CS051/1](#) [RD16A14-12-S6CS051/2](#) [1301240290](#) [1301240347](#) [1301860202](#) [1301240268](#) [1301240275](#)