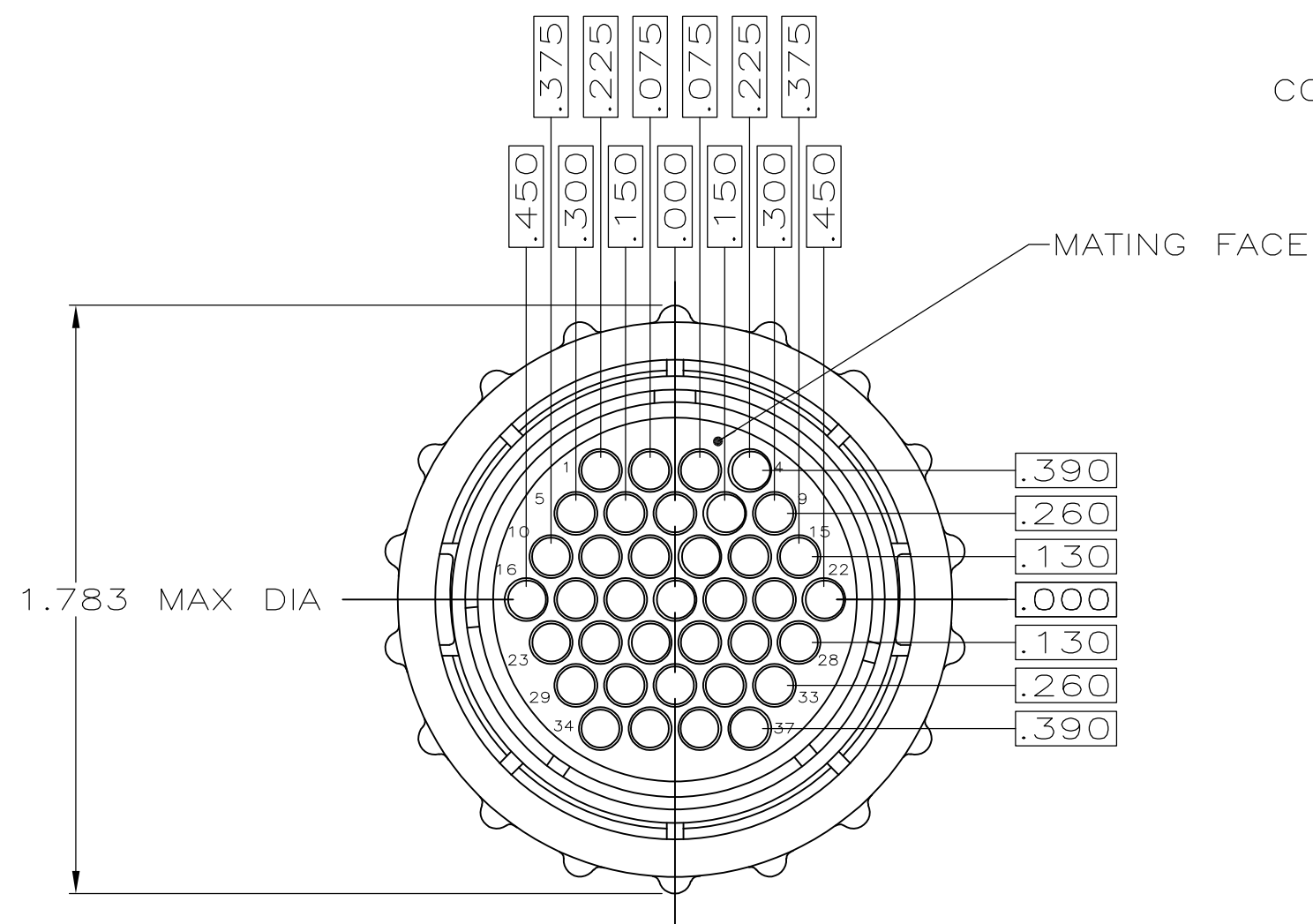


THIS DRAWING IS UNPUBLISHED. RELEASED FOR PUBLICATION  
 © COPYRIGHT - By - ALL RIGHTS RESERVED.

REVISIONS					
P	LTR	DESCRIPTION	DATE	DWN	APVD
G2		REVISE PER ECO-11-004587	11MAR11	RK	HMR
H		REVISED PER ECO-17-000037	10MAR2017	RS	MZ



COUPLING RING  
POLYESTER

MATING FACE

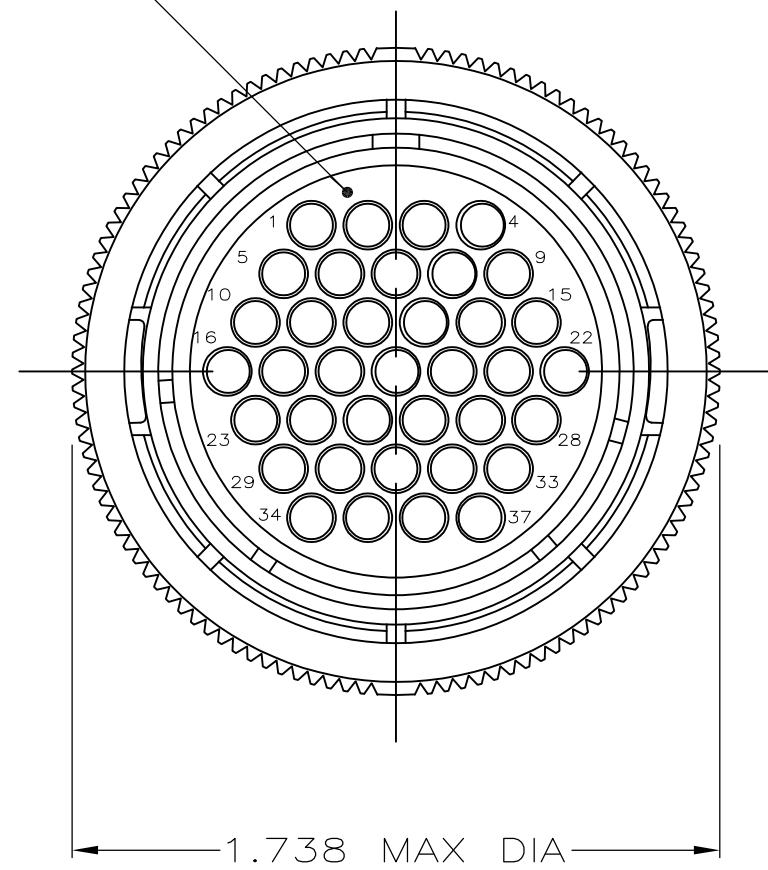
AMP & PART NUMBER  
THIS DIA

PLUG HOUSING  
NYLON 6/6,  
GLASS FILLED

(-1, -2 & -5 ONLY)

1.365 MAX

MATING FACE



COUPLING RING  
POLYOHENYLENE

PLUG HOUSING  
NYLON 6/6,  
GLASS FILLED,

(-4 ONLY)

1.365 MAX

- 1. CONTACT CAVITIES IDENTIFIED BY CHARACTERS ON FRONT AND REAR FACES OF CONNECTOR.
- 2. WILL ACCEPT (37) MULTIMATE PIN CONTACTS.
- 3. OBSOLETE PART NUMBER.
- 4. OBSOLETE PARTS: OBSOLETE CIS STREAMLINING PER D.RENAUD/D.SINISI

3	NATURAL	STANDARD	206305-5
	BLACK	STANDARD	206305-4
4	OBSOLETE	BLACK	SMALL PACK
	BLACK	STANDARD	206305-1
	COLOR	PACKAGING	PART NUMBER

THIS DRAWING IS A CONTROLLED DOCUMENT.		DWN	S.RIDGLEY	BG	8/2/90				
DIMENSIONS: INCHES		CHK	R.STONE		4-26-91				
TOLERANCES UNLESS OTHERWISE SPECIFIED:		APVD		J.FULPONI	5-2-91	NAME			
0 PLC ± -		PRODUCT SPEC				PLUG ASSEMBLY, SHELL			
1 PLC ± -		APPLICATION SPEC				SIZE 23, REVERSE SEX,			
2 PLC ± -		WEIGHT		-		SERIES 1, CPC			
3 PLC ± .005		MATERIAL		SEE CALLOUT		SIZE	A2	CAGE CODE	00779
4 PLC ± -		FINISH		-		DRAWING NO	C=206305		
ANGLES ± -		CUSTOMER DRAWING				RESTRICTED TO	-		
FINISH		SCALE		2:1		SHEET	1 of 1		
MATERIAL		REV		H					

## X-ON Electronics

Largest Supplier of Electrical and Electronic Components

*Click to view similar products for [Standard Circular Connector](#) category:*

*Click to view products by [TE Connectivity](#) manufacturer:*

Other Similar products are found below :

[5M2530B10P](#) [600259N006](#) [600273N007](#) [6134-336-13149](#) [6134-337-11149](#) [6134-337-2390](#) [6134-341-17149](#) [6280-4SG-516](#) [6280-7SG-3DC](#)  
[6290](#) [6291A](#) [66200A-10](#) [680-SMG](#) [681-PMG](#) [CXS3102A14S2P](#) [CXS3102A181S](#) [7251-5SG-300](#) [7271-6SG-300](#) [7282-3PG-300-CH3](#) [75-](#)  
[474618-01S](#) [75-474618-04P](#) [75-474618-04S](#) [799539-000](#) [MI8-SE](#) [805-005-07NF11-19PC](#) [805-005-07NF15-7PA](#) [8280-4PG-516](#) [8280-7PG-](#)  
[519](#) [8282-5PG-519](#) [836783-1](#) [MP-4102-25P-C](#) [862256-1](#) [864019-2](#) [866857-1](#) [867865-1](#) [PT01SP-14-18P](#) [PT08P-14-5S](#) [PTSF06SE-14-12S](#)  
[120-1833-000](#) [QCM019PC2DC012B](#) [1-2069279-1](#) [121583-0217](#) [121667-0020](#) [129591AU](#) [1000B BULK](#) [RD10A16-19-P6CS051/1](#)  
[RD10A20-31-P8CS051/1](#) [RD16A14-12-S6CS051/2](#) [1301240290](#) [1301240347](#) [1301860202](#)