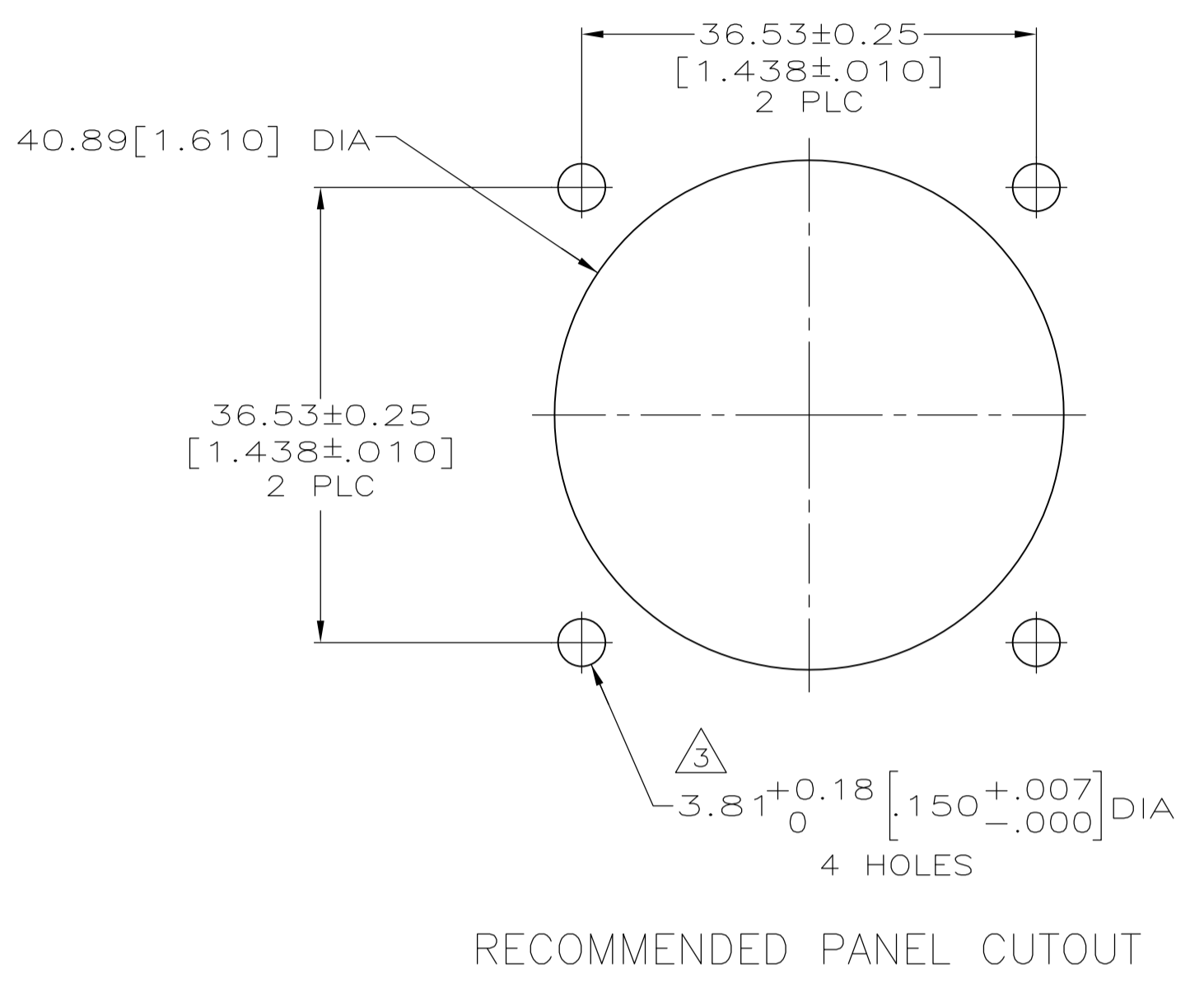
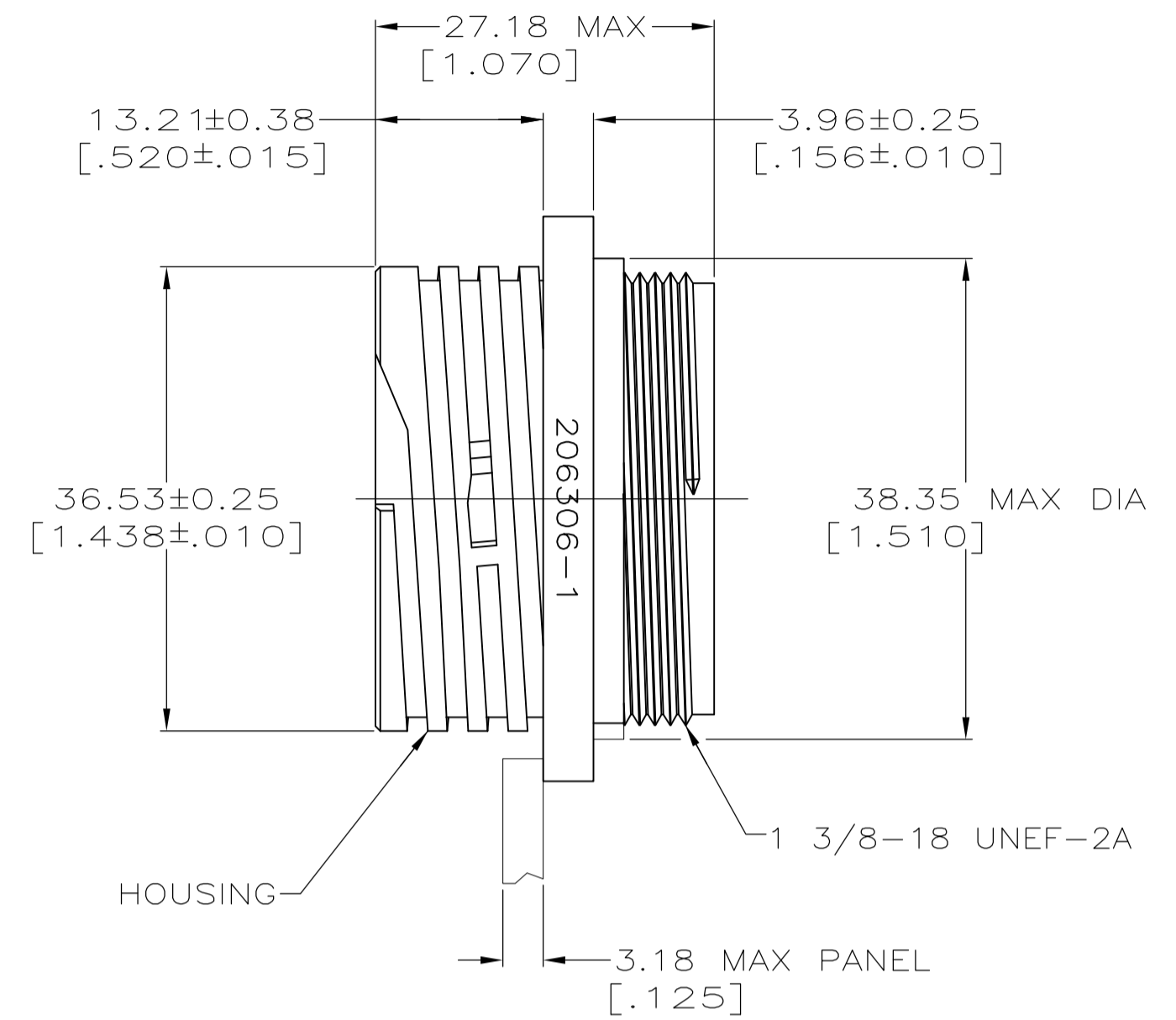
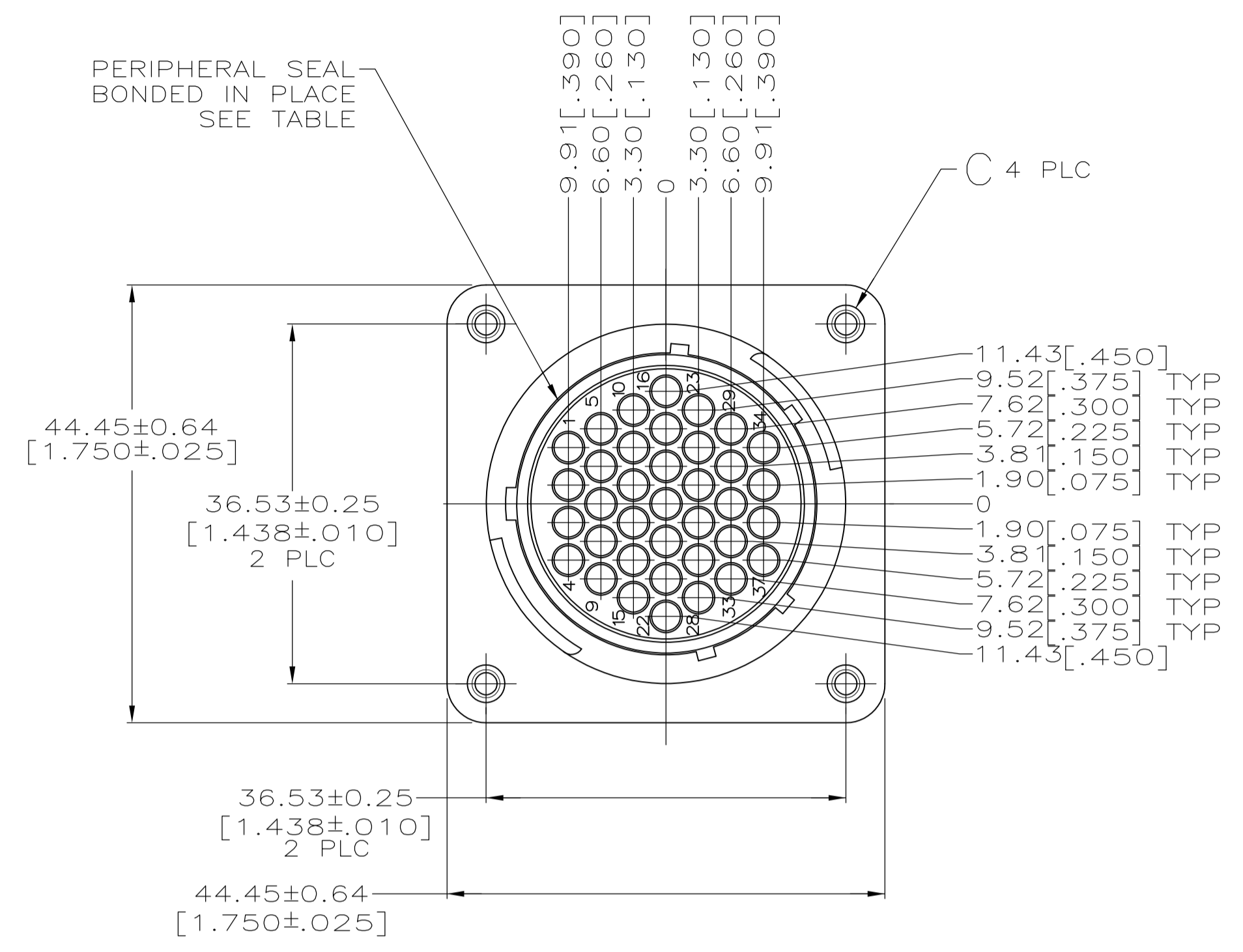
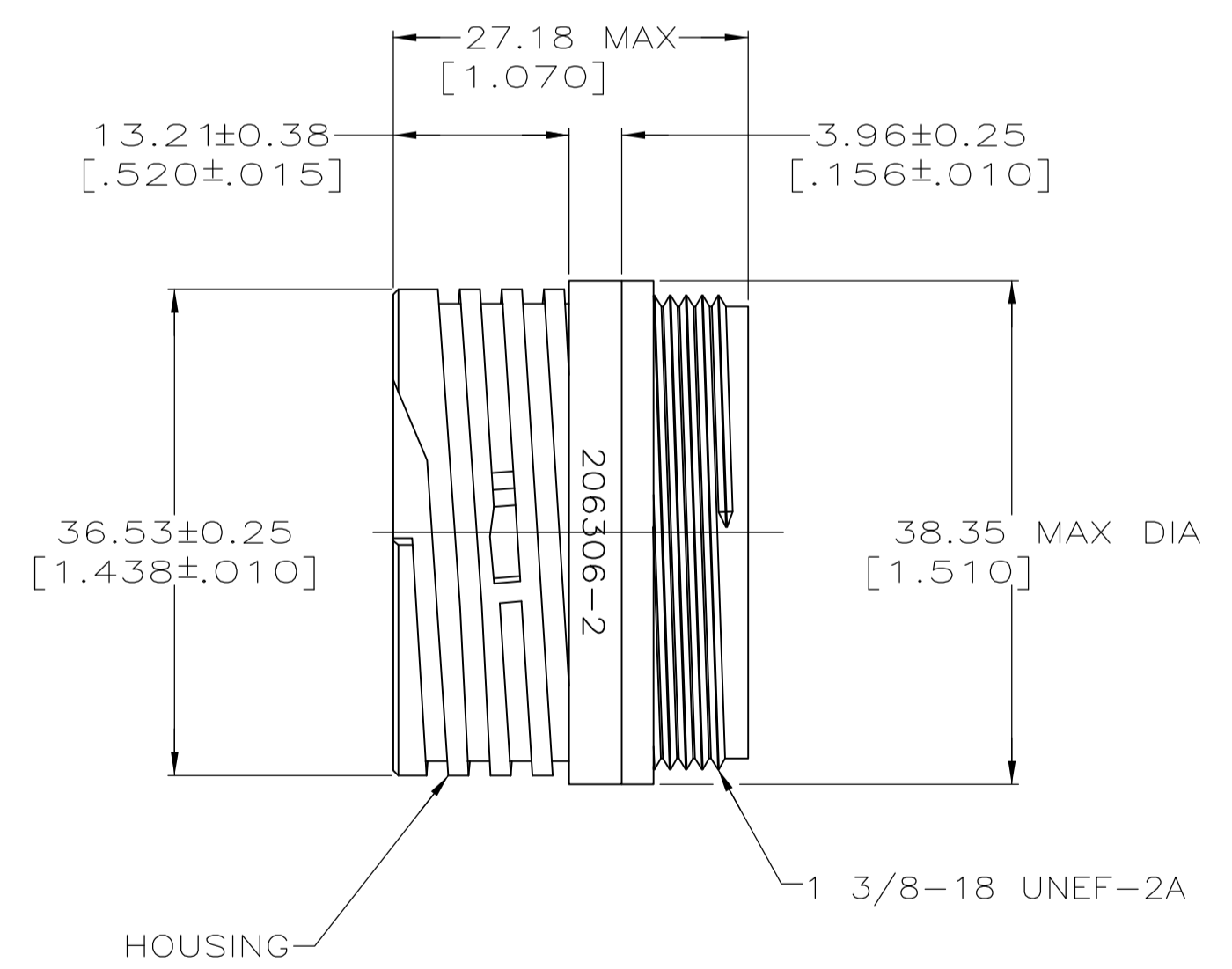
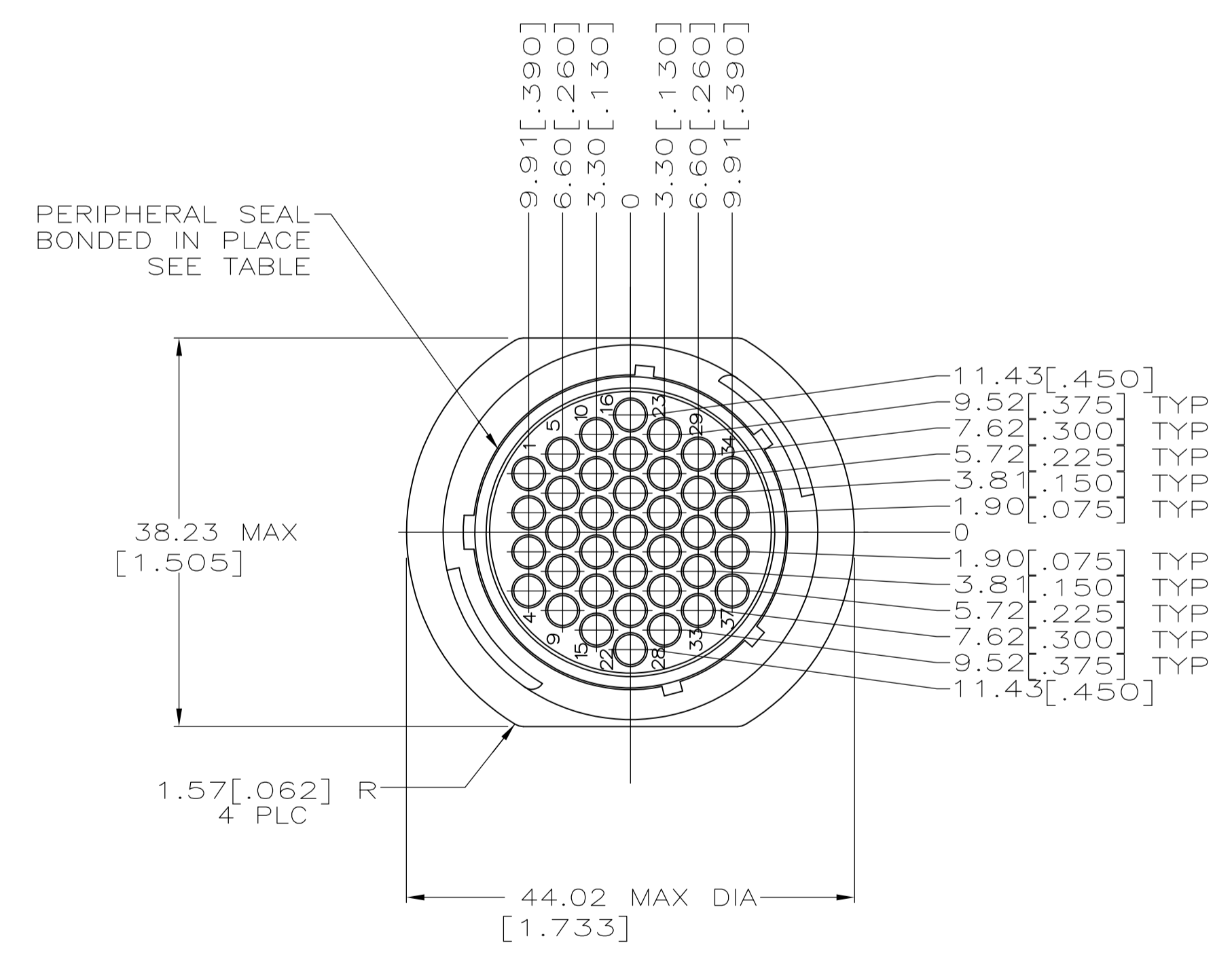


REVISIONS					
P	LTR	DESCRIPTION	DATE	DN	APVD
L1		REVISED PER ECO-15-010630	27JUL2015	NK	MZ
M		REVISED PER ECO-17-000037	15MAR2017	RS	MZ



DETAIL A



DETAIL B

STANDARD	NO	3.81 [.150] DIA HOLE	A	4	206306-8
STANDARD	NO	3.81 [.150] DIA HOLE	A		206306-6
STANDARD	NO	4-40 THREADED INSERT	A		206306-5
STANDARD	YES	-	B		206306-4
STANDARD	YES	3.81 [.150] DIA HOLE	A		206306-3
STANDARD	NO	-	B		206306-2
STANDARD	NO	3.81 [.150] DIA HOLE	A		206306-1
PACKAGING	PERIPHERAL SEAL		C	SEE DETAIL	PART NUMBER

- 1 CAVITY IDENTIFICATION ON FRONT AND REAR FACE.
- 2 WILL ACCEPT THIRTY-SEVEN (37) MULTIMATE SOCKET CONTACTS.
- 3 NO 4 FASTENER RECOMMENDED FOR MOUNTING.
- 4 NYLON 6/6, NATURAL.
- 5 OBSOLETE PARTS: OBSOLETE CIS STREAMLINING PER D.RENAUD/D.SINISI

THIS DRAWING IS A CONTROLLED DOCUMENT.

DIMENSIONS: MM [INCHES]	TOLERANCES UNLESS OTHERWISE SPECIFIED:	DIN D.GELTZ 07/26/93	APVD R.STONE 08/13/93	NAME
0 PLC ± -	1 PLC ± -	2 PLC ± ± 0.13 [.005]	3 PLC ± -	4 PLC ± -
ANGLES ± -				
MATERIAL HOUSING: NYLON, BLACK	FINISH -	WEIGHT 0.000000	SIZE A1	SCALE 2:1
INSERT: BRASS		CUSTOMER DRAWING	00779	SHEET 1 OF 1

STE TE Connectivity

RECEPTACLE HOUSING, REVERSE SEX, SHELL SIZE 23, CPC

108-10024

X-ON Electronics

Largest Supplier of Electrical and Electronic Components

Click to view similar products for [Standard Circular Connector](#) category:

Click to view products by [TE Connectivity](#) manufacturer:

Other Similar products are found below :

[5M2530B10P](#) [600259N006](#) [600273N007](#) [6134-336-13149](#) [6134-337-11149](#) [6134-337-2390](#) [6134-341-17149](#) [6280-4SG-516](#) [6280-7SG-3DC](#)
[6290](#) [6291A](#) [66200A-10](#) [680-SMG](#) [681-PMG](#) [CXS3102A14S2P](#) [CXS3102A181S](#) [7251-5SG-300](#) [7271-6SG-300](#) [7282-3PG-300-CH3](#) [75-](#)
[474618-01S](#) [75-474618-04P](#) [75-474618-04S](#) [799539-000](#) [MI8-SE](#) [805-005-07NF11-19PC](#) [805-005-07NF15-7PA](#) [8280-4PG-516](#) [8280-7PG-](#)
[519](#) [8282-5PG-519](#) [836783-1](#) [MP-4102-25P-C](#) [862256-1](#) [864019-2](#) [866857-1](#) [867865-1](#) [PT01SP-14-18P](#) [PT08P-14-5S](#) [PTSF06SE-14-12S](#)
[120-1833-000](#) [QCM019PC2DC012B](#) [1-2069279-1](#) [121583-0217](#) [121667-0020](#) [129591AU](#) [1000B BULK](#) [RD10A16-19-P6CS051/1](#)
[RD10A20-31-P8CS051/1](#) [RD16A14-12-S6CS051/2](#) [1301240290](#) [1301240347](#) [1301860202](#)