

THIS DRAWING IS UNPUBLISHED.

RELEASED FOR PUBLICATION

© COPYRIGHT - By -

ALL RIGHTS RESERVED.

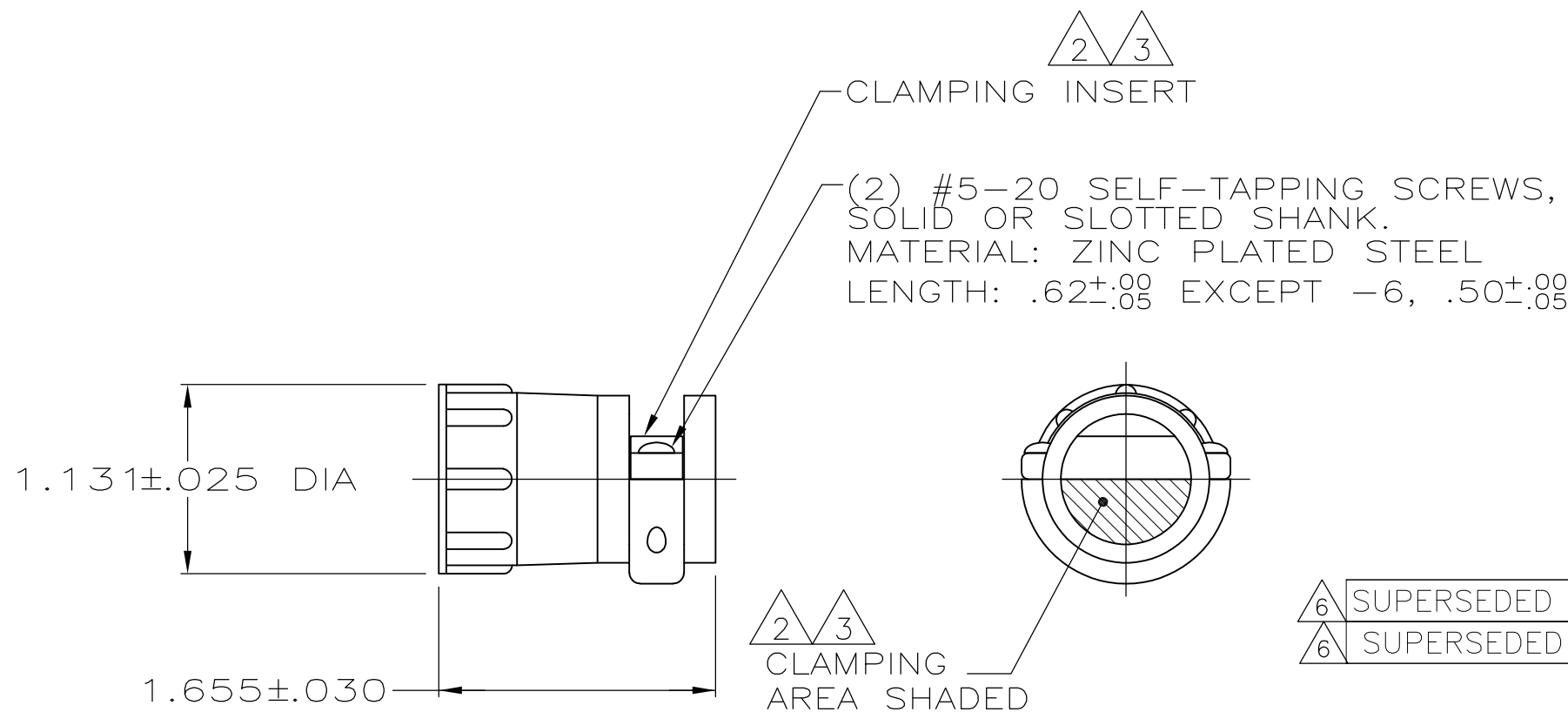
LOC
FT

DIST
0

REVISIONS

P	LTR	DESCRIPTION	DATE	DWN	APVD
	P3	REVISED PER ECO-11-004587	11MAR11	RK	HMR

- 1 PARTS PACKAGED UNASSEMBLED.
- 2 CABLE CLAMPING AREA ADJUSTABLE FROM .100 TO .410 SQ IN BY REVERSING CLAMPING INSERTS. (2 INSERTS SUPPLIED, -1 AND -2 ONLY)
- 3 CABLE CLAMPING AREA ADJUSTABLE FROM .100 TO .410 SQ IN BY CHANGING CLAMPING INSERTS. (4 INSERTS SUPPLIED, -4 ONLY)
- 4 .703 MAXIMUM CABLE OUTSIDE DIAMETER.
- 5 BULK PACKAGED KITS TO BE ORDERED IN MULTIPLES OF 100 ONLY.
- 6 NON-HEXAVALENT CHROMATE FINISH.
- 7 OBSOLETE PARTS: OBSOLETE CIS STREAMLINING PER D.RENAUD/D.SINISI



FINISH	PACKAGING	PART NUMBER	
6	INDIVIDUAL	1-206322-1	
6	5 BULK	1-206322-0	
6	INDIVIDUAL	206322-9	
6	7 OBSOLETE - SMALL PACK	206322-8	
6	7 OBSOLETE - INDIVIDUAL	206322-7	
6	5 BULK	206322-6	
7	6 OBSOLETE - SMALL PACK	206322-5	
6	OBSOLETE - INDIVIDUAL	206322-4	
6	SUPERSEDED BY 1-206322-0	5 BULK	206322-2
6	SUPERSEDED BY 206322-9	INDIVIDUAL	206322-1

THIS DRAWING IS A CONTROLLED DOCUMENT.		DWN A GRAFF 4/23/91	TE Connectivity														
DIMENSIONS: INCHES		CHK W.G.LENKER 7-22-92															
TOLERANCES UNLESS OTHERWISE SPECIFIED:		APVD -	NAME CABLE CLAMP KIT, LARGE, SHELL SIZE 17, CPC														
<table border="0"> <tr> <td>0 PLC</td><td>± -</td> </tr> <tr> <td>1 PLC</td><td>± -</td> </tr> <tr> <td>2 PLC</td><td>± -</td> </tr> <tr> <td>3 PLC</td><td>± -</td> </tr> <tr> <td>4 PLC</td><td>± -</td> </tr> <tr> <td>ANGLES</td><td>± -</td> </tr> </table>		0 PLC	± -	1 PLC	± -	2 PLC	± -	3 PLC	± -	4 PLC	± -	ANGLES	± -	PRODUCT SPEC 108-10024	RESTRICTED TO -		
0 PLC	± -																
1 PLC	± -																
2 PLC	± -																
3 PLC	± -																
4 PLC	± -																
ANGLES	± -																
MATERIAL THERMOPLASTIC		FINISH -	APPLICATION SPEC -	SIZE A3	CAGE CODE 00779	DRAWING NO C-206322											
CUSTOMER DRAWING			WEIGHT -	SCALE NTS	SHEET 1 OF 1	REV P3											

X-ON Electronics

Largest Supplier of Electrical and Electronic Components

Click to view similar products for [Standard Circular Connector](#) category:

Click to view products by [TE Connectivity](#) manufacturer:

Other Similar products are found below :

[C015](#) [10F006](#) [001](#) [1](#) [5M2530B10P](#) [600259N006](#) [600273N007](#) [600432N009](#) [6280-2PG-519](#) [6280-3PG-311](#) [6280-3SG-311](#) [6280-7SG-3DC](#)
[6280-7SG-522](#) [6282-2SG-321](#) [6282-5PG-311](#) [6282-6PG-519](#) [6282-8SG-311](#) [6283-11](#) [6283-15](#) [6290](#) [6382-2PG-311](#) [6382-2PG-3DC](#) [6382-](#)
[2SG-321](#) [6382-2SG-3DC](#) [6382-4SG-516](#) [680-SMG](#) [681-PMG](#) [CXS3102A14S2P](#) [CXS3102A181S](#) [CXS3106A14S6S](#) [D38999/20FC8SA L/C](#)
[MB12P-1](#) [7251-2PG-300](#) [7251-2SG-300](#) [7251-4PG-300](#) [7251-4SG-300](#) [7251-5PG-300](#) [7251-5SG-300](#) [7251-6SG-300](#) [7251-7PG-300](#) [7251-](#)
[8PG-300](#) [7271-6SG-300](#) [7282-3PG-300-CH3](#) [7282-8PG-3ES](#) [73000005663](#) [75-190216-08S](#) [75-190218-10P](#) [75-474618-01S](#) [75-474620-07P](#)
[799539-000](#) [MI8-SE](#) [80-190222-18P](#) [805-005-07NF11-19PC](#)