

4

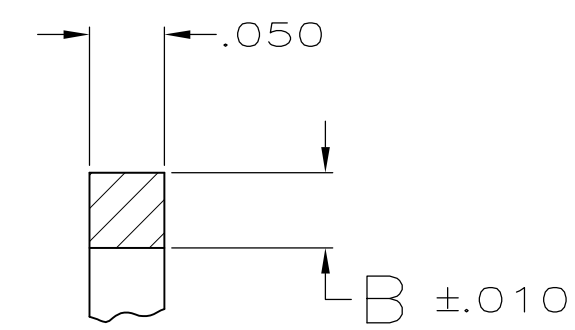
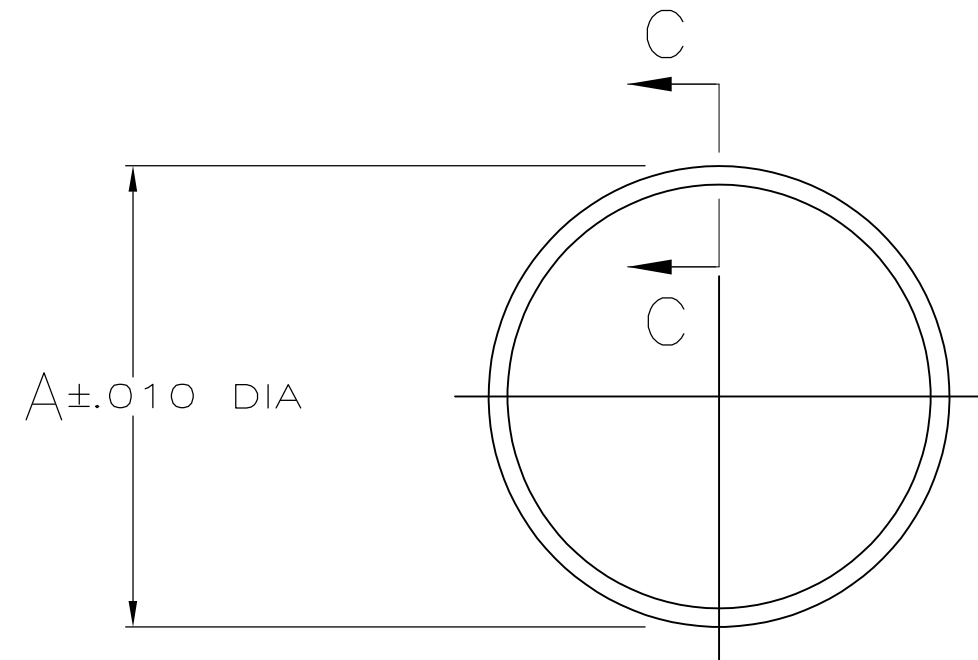
3

2

1


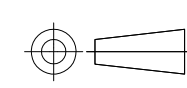
THIS DRAWING IS UNPUBLISHED. RELEASED FOR PUBLICATION - , - .
 © COPYRIGHT - By - ALL RIGHTS RESERVED.

| LOC | DIST | REVISIONS | | | |
|-----|------|---------------------------|---------|-----|------|
| P | LTR | DESCRIPTION | DATE | DWN | APVD |
| | K1 | REVISED PER ECO-11-004587 | 11MAR11 | RK | HMR |



SECTION C-C
SCALE 8:1

| | | | |
|-------|------|------------|-------------|
| 1.262 | .050 | 32 | 206403-5 |
| .650 | .041 | 13 | 206403-4 |
| 1.230 | .050 | 23 | 206403-3 |
| .875 | .050 | 17 | 206403-2 |
| .514 | .041 | 11 | 206403-1 |
| A | B | SHELL SIZE | PART NUMBER |

| | | | | |
|---|--|-----------------------------------|---|--------------------|
| THIS DRAWING IS A CONTROLLED DOCUMENT. | | DWN S.RIDGLEY 7/24/90 BG |  TE Connectivity | |
| DIMENSIONS: INCHES | | CHK J McCLINTON 2-13-91 | | |
|  | | APVD K BEAVER 2-14-91 | NAME SEAL, PERIPHERAL, CPC | |
| TOLERANCES UNLESS OTHERWISE SPECIFIED: | | PRODUCT SPEC | - | |
| 0 PLC ± - | | APPLICATION SPEC | - | |
| 1 PLC ± - | | WEIGHT | - | |
| 2 PLC ± - | | CUSTOMER DRAWING | SIZE A3 | CAGE CODE 00779 |
| 3 PLC ± .005 | | FINISH | DRAWING NO C-206403 | RESTRICTED TO |
| 4 PLC ± - | | | SCALE 2:1 | SHEET 1 OF 1 |
| ANGLES ± - | | | REV K1 | |
| MATERIAL ELASTOMER, GRAY | | | | |

X-ON Electronics

Largest Supplier of Electrical and Electronic Components

Click to view similar products for [Standard Circular Connector](#) category:

Click to view products by [TE Connectivity](#) manufacturer:

Other Similar products are found below :

[5M2530B10P](#) [600259N006](#) [600273N007](#) [6134-336-13149](#) [6134-337-11149](#) [6134-337-2390](#) [6134-341-17149](#) [6280-4SG-516](#) [6280-7SG-3DC](#)
[6290](#) [6291A](#) [66200A-10](#) [680-SMG](#) [681-PMG](#) [CXS3102A14S2P](#) [CXS3102A181S](#) [7271-6SG-300](#) [7282-3PG-300-CH3](#) [75-474014-05S](#) [75-](#)
[474618-01S](#) [75-474618-04P](#) [75-474618-04S](#) [799539-000](#) [MI8-SE](#) [805-005-07NF11-19PC](#) [805-005-07NF15-7PA](#) [8280-4PG-516](#) [8280-7PG-](#)
[519](#) [8282-5PG-519](#) [836783-1](#) [MP-4102-25P-C](#) [862256-1](#) [864019-2](#) [866857-1](#) [867865-1](#) [PT01SP-14-18P](#) [PT08P-14-5S](#) [120-1833-000](#)
[QCM019PC2DC012B](#) [1-2069279-1](#) [121583-0217](#) [121667-0020](#) [129591AU](#) [1000B BULK](#) [RD10A16-19-P6CS051/1](#) [RD10A20-31-](#)
[P8CS051/1](#) [RD16A14-12-S6CS051/2](#) [1301240290](#) [1301240347](#) [1301860202](#) [1301240268](#)