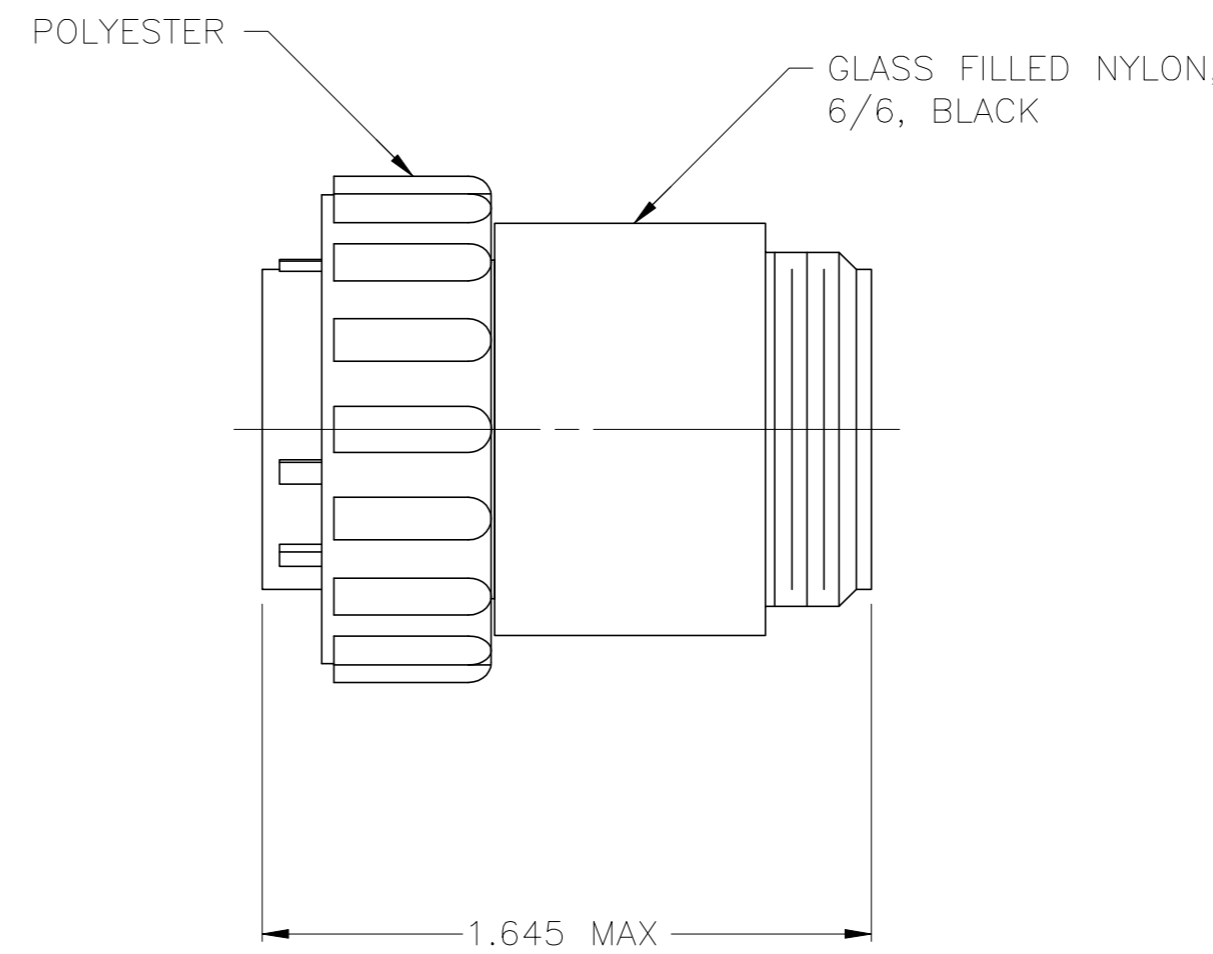
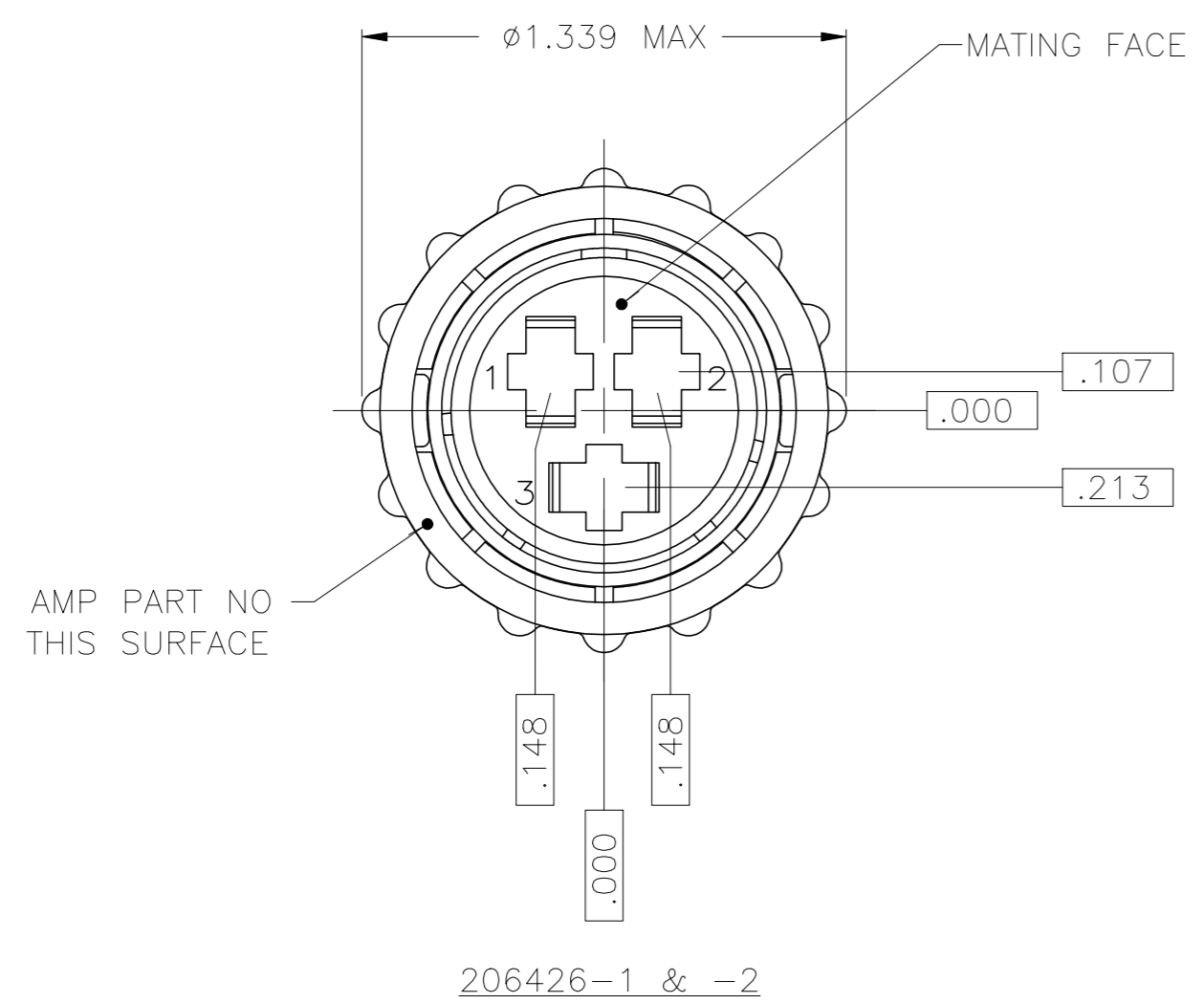


THIS DRAWING IS UNPUBLISHED. RELEASED FOR PUBLICATION
 © COPYRIGHT - By - ALL RIGHTS RESERVED.

REVISIONS					
P	LTR	DESCRIPTION	DATE	DWN	APVD
F3		REVISED PER ECO-16-004800	10SEP2016	NK	MZ
G		REVISED PER ECO-19-009342	20JUN2019	RS	MZ



- 1 CONTACT CAVITIES IDENTIFIED BY CHARACTERS ON FRONT AND REAR FACES OF CONNECTOR.
- 2 WILL ACCEPT (3) TYPE XII PIN CONTACTS.

OBSOLETE	B	BLACK	VALOX	206426-4
OBSOLETE	A	GRAY	NORYL	206426-2
	A	BLACK	VALOX	206426-1
	KEYING STYLE	COUPLING RING COLOR	COUPLING RING MATL	PART NUMBER

THIS DRAWING IS A CONTROLLED DOCUMENT.

DWN	S.RIDGLEY	BG	8/2/90
CHK	R.STONE		04/26/91
APVD			
PLUG ASSEMBLY, SHELL SIZE 17, REVERSE SEX, SERIES 3, CPC			
DIMENSIONS:	TOLERANCES UNLESS OTHERWISE SPECIFIED:	PRODUCT SPEC	NAME
INCHES	0 PLC ± -	APPLICATION SPEC	
	1 PLC ± -		
	2 PLC ± -		
	3 PLC ± -		
	4 PLC ± -		
	ANGLES ± -		
MATERIAL	FINISH	WEIGHT	SIZE
SEE			A2
			CAGE CODE
			00779
			DRAWING NO
			C-206426
			RESTRICTED TO
			SCALE
			2:1
			SHEET
			1 of 1
			REV
			G

CUSTOMER DRAWING

206426

A

X-ON Electronics

Largest Supplier of Electrical and Electronic Components

Click to view similar products for [Standard Circular Connector](#) category:

Click to view products by [TE Connectivity](#) manufacturer:

Other Similar products are found below :

[5M2530B10P](#) [600259N006](#) [600273N007](#) [6134-336-13149](#) [6134-337-11149](#) [6134-337-2390](#) [6134-341-17149](#) [6280-4SG-516](#) [6280-7SG-3DC](#)
[6290](#) [6291A](#) [66200A-10](#) [680-SMG](#) [681-PMG](#) [CXS3102A14S2P](#) [CXS3102A181S](#) [7251-5SG-300](#) [7271-6SG-300](#) [7282-3PG-300-CH3](#) [75-](#)
[474618-01S](#) [75-474618-04P](#) [75-474618-04S](#) [799539-000](#) [MI8-SE](#) [805-005-07NF11-19PC](#) [805-005-07NF15-7PA](#) [8280-4PG-516](#) [8280-7PG-](#)
[519](#) [8282-5PG-519](#) [836783-1](#) [MP-4102-25P-C](#) [862256-1](#) [864019-2](#) [866857-1](#) [867865-1](#) [PT01SP-14-18P](#) [PT08P-14-5S](#) [PTSF06SE-14-12S](#)
[120-1833-000](#) [QCM019PC2DC012B](#) [1-2069279-1](#) [121583-0217](#) [121667-0020](#) [129591AU](#) [1000B BULK](#) [RD10A16-19-P6CS051/1](#)
[RD10A20-31-P8CS051/1](#) [RD16A14-12-S6CS051/2](#) [1301240290](#) [1301240347](#) [1301860202](#)