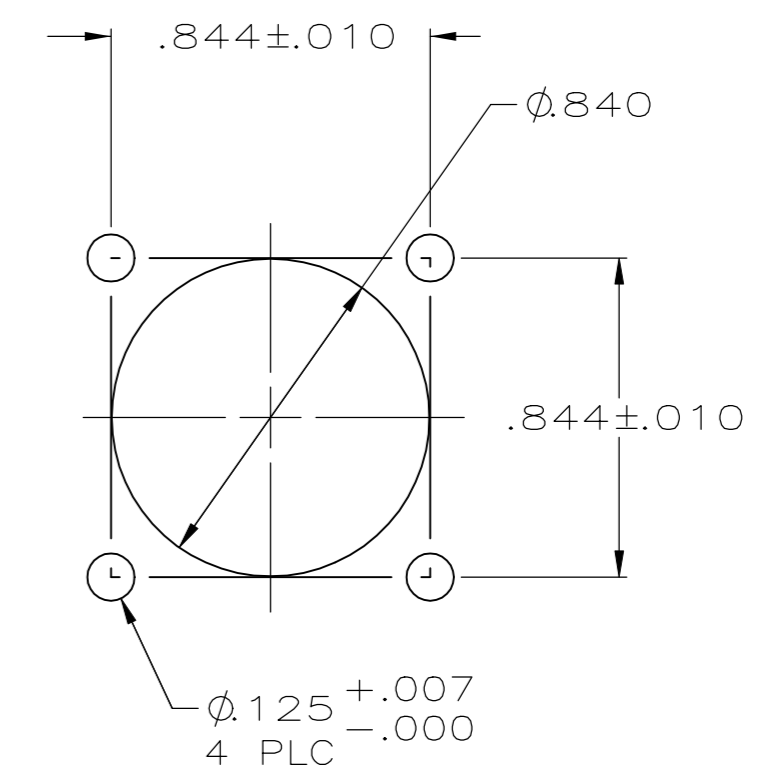
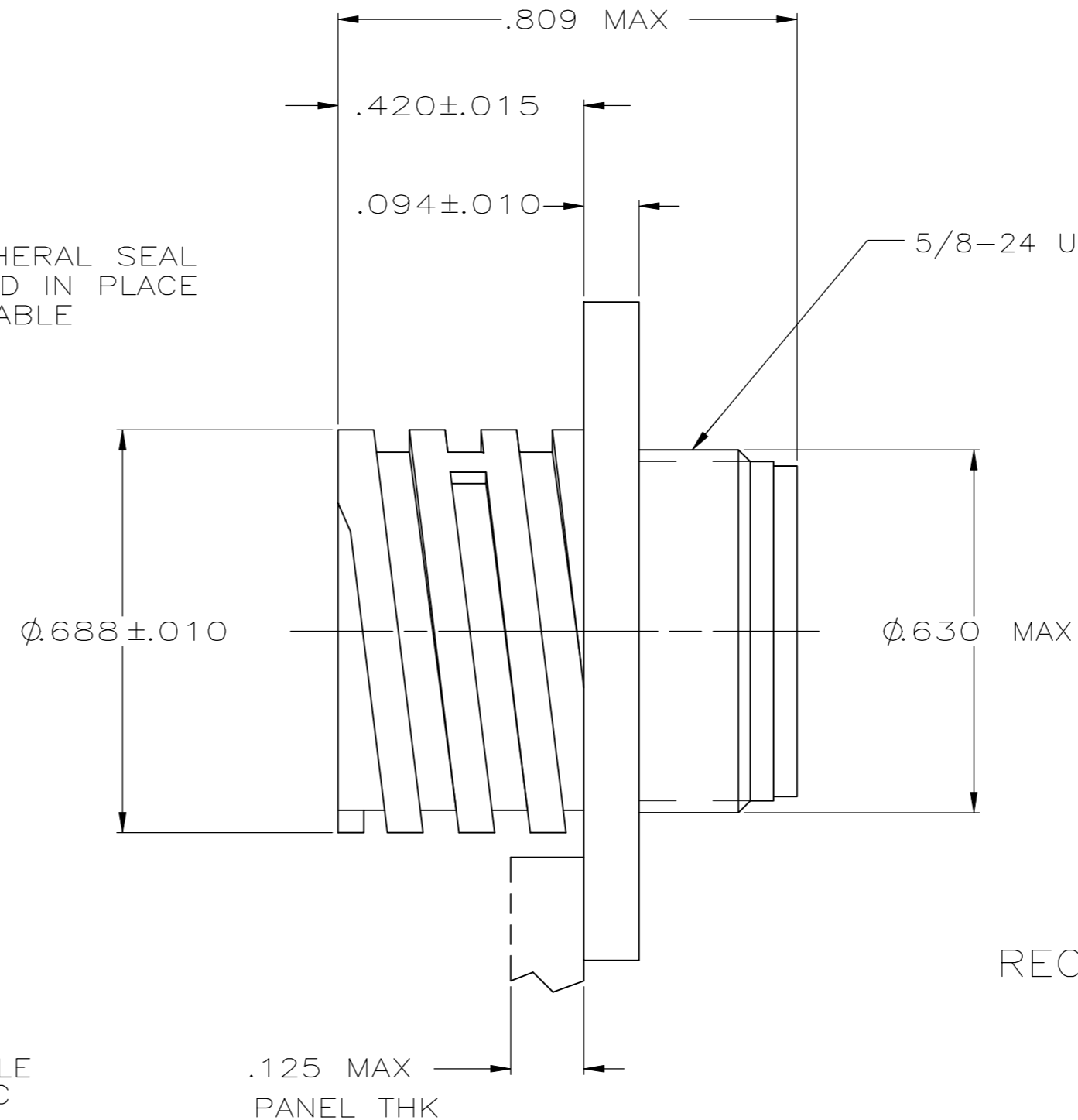
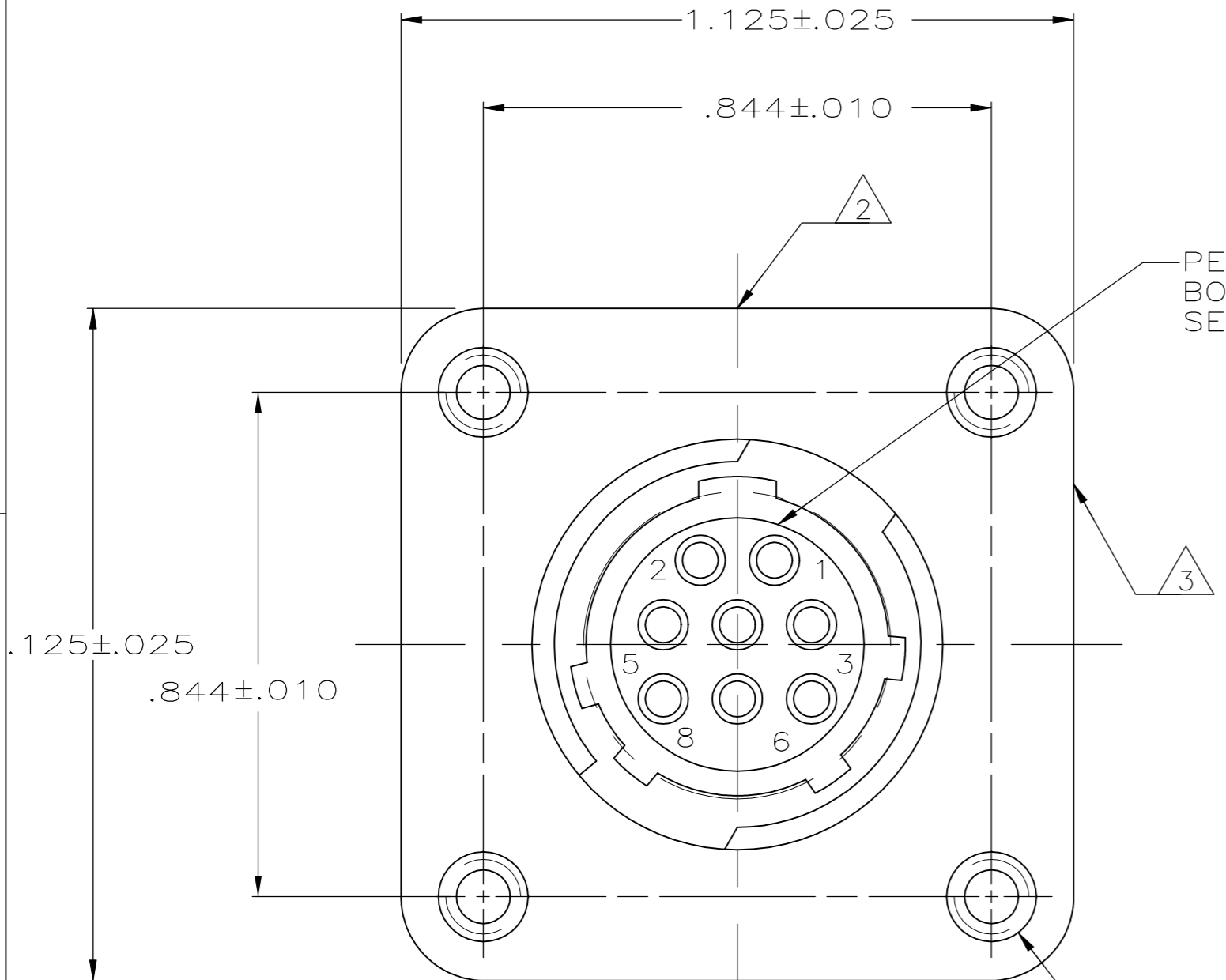
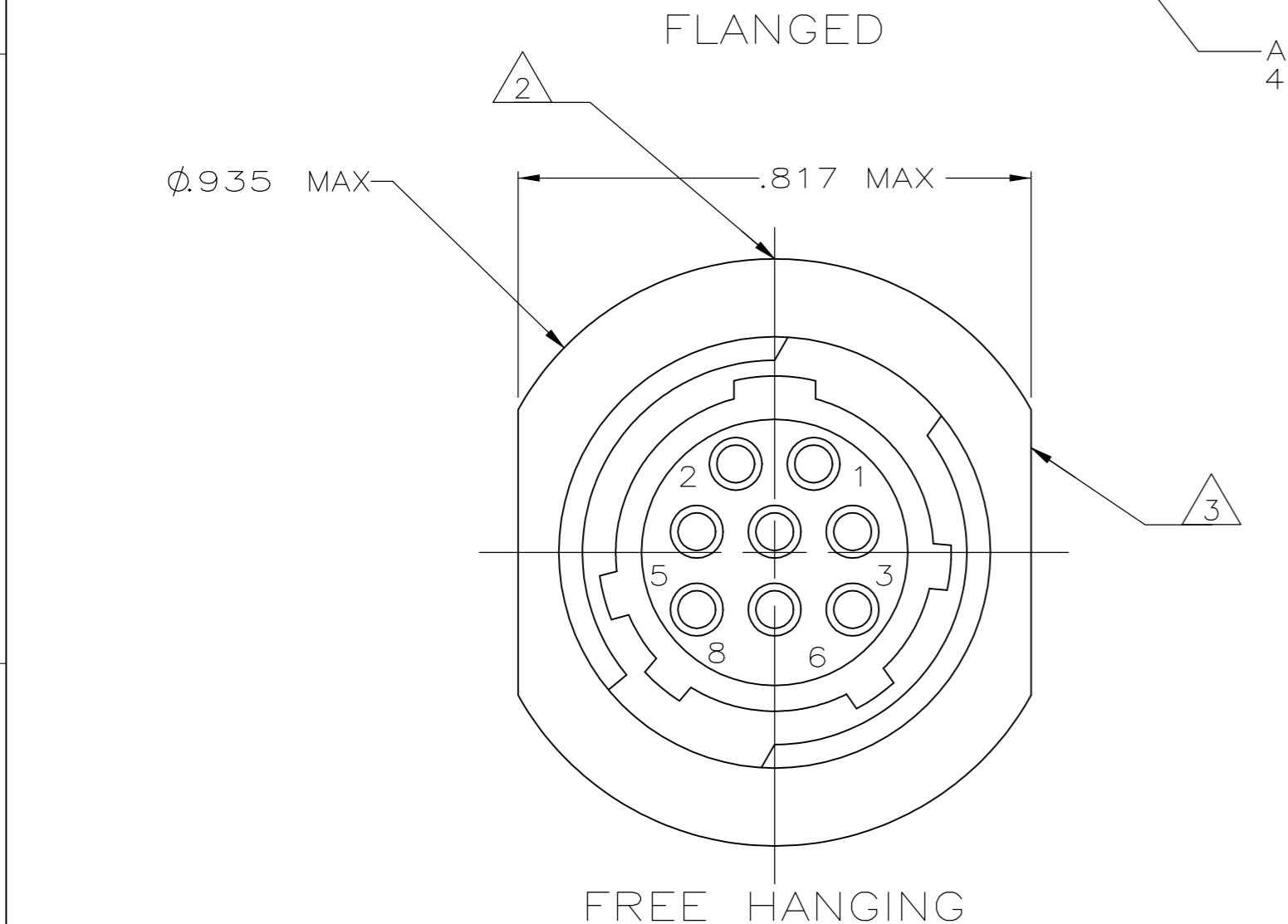


THIS DRAWING IS UNPUBLISHED.
 RELEASED FOR PUBLICATION
 ALL RIGHTS RESERVED.

REVISIONS					
P	LTR	DESCRIPTION	DATE	DWN	APVD
H2		REVISED PER ECO-11-004587	11MAR11	RK	HMR
J		REVISED PER ECR-16-017870	20APR2017	BDA	MZ
K		REVISED PER ECO-18-000967	23MAR2018	RS	MZ



RECOMMENDED PANEL CUTOUT
SCALE 2:1



FREE HANGING

A HOLE
4 PLC

STANDARD	YES	4-40 BRASS THREADED INSERT	20	FLANGED	5 206433-6
SMALL PACK	NO	.125 DIA	20	FLANGED	206433-5
STANDARD	NO	.125 DIA	20DF WITHOUT INSULATION SUPPORT	FLANGED	5 206433-4
STANDARD	NO	4-40 BRASS THREADED INSERT	20	FLANGED	206433-3
STANDARD	NO	-	20	FREE HANGING	206433-2
STANDARD	NO	.125 DIA	20	FLANGED	206433-1
PACKAGING	PERIPHERAL SEAL	A	WILL ACCEPT SOCKET CONTACT SIZE	TYPE	PART NUMBER

- 1 CONTACT CAVITIES IDENTIFIED BY CHARACTERS ON FRONT AND REAR FACE.
- 2 AMP MOLDED ON THIS SURFACE.
- 3 PART NUMBER AND DATE CODE MARKED ON ANY FLANGE EDGE.
- 4 206433-4 STRIPPED WIRE LENGTH SHOULD BE .193-.213 WITH .095 MAX INSULATION.
- 5 OBSOLETE PART NUMBER.

THIS DRAWING IS A CONTROLLED DOCUMENT.

DIMENSIONS: INCHES	TOLERANCES UNLESS OTHERWISE SPECIFIED:	DWN J. McCLINTON 1-25-88	CHK R. STONE 1-26-88	APVD M. KAPEZYNSKI 1-27-88	NAME TE Connectivity Ltd.																										
<table border="1"> <tr> <td>0 PLC</td> <td>± -</td> </tr> <tr> <td>1 PLC</td> <td>± -</td> </tr> <tr> <td>2 PLC</td> <td>± -</td> </tr> <tr> <td>3 PLC</td> <td>± .005</td> </tr> <tr> <td>4 PLC</td> <td>± -</td> </tr> <tr> <td>ANGLES</td> <td>± -</td> </tr> </table>		0 PLC	± -	1 PLC	± -	2 PLC	± -	3 PLC	± .005	4 PLC	± -	ANGLES	± -	<table border="1"> <tr> <td>PRODUCT SPEC</td> <td></td> </tr> <tr> <td>APPLICATION SPEC</td> <td></td> </tr> <tr> <td>WEIGHT</td> <td></td> </tr> </table>		PRODUCT SPEC		APPLICATION SPEC		WEIGHT		<table border="1"> <tr> <td>SIZE</td> <td>CAGE CODE</td> <td>DRAWING NO</td> <td>RESTRICTED TO</td> </tr> <tr> <td>A2</td> <td>00779</td> <td>206433</td> <td>-</td> </tr> </table>		SIZE	CAGE CODE	DRAWING NO	RESTRICTED TO	A2	00779	206433	-
0 PLC	± -																														
1 PLC	± -																														
2 PLC	± -																														
3 PLC	± .005																														
4 PLC	± -																														
ANGLES	± -																														
PRODUCT SPEC																															
APPLICATION SPEC																															
WEIGHT																															
SIZE	CAGE CODE	DRAWING NO	RESTRICTED TO																												
A2	00779	206433	-																												
MATERIAL NYLON, GLASS FILLED, FLAME RETARDED, BLACK		FINISH -		CUSTOMER DRAWING																											
		SCALE 4:1		SHEET 1 OF 1 REV K																											

X-ON Electronics

Largest Supplier of Electrical and Electronic Components

Click to view similar products for [Standard Circular Connector](#) category:

Click to view products by [TE Connectivity](#) manufacturer:

Other Similar products are found below :

[5M2530B10P](#) [600259N006](#) [600273N007](#) [6134-336-13149](#) [6134-337-11149](#) [6134-337-2390](#) [6134-341-17149](#) [6280-4SG-516](#) [6280-7SG-3DC6290](#) [6291A](#) [66200A-10](#) [680-SMG](#) [681-PMG](#) [CXS3102A14S2P](#) [CXS3102A181S](#) [7251-5SG-300](#) [7271-6SG-300](#) [7282-3PG-300-CH3](#) [75-474618-01S](#) [75-474618-04P](#) [75-474618-04S](#) [799539-000](#) [MI8-SE](#) [805-005-07NF11-19PC](#) [805-005-07NF15-7PA](#) [8280-4PG-516](#) [8280-7PG-519](#) [8282-5PG-519](#) [836783-1](#) [MP-4102-25P-C](#) [862256-1](#) [864019-2](#) [866857-1](#) [867865-1](#) [PT01SP-14-18P](#) [PT08P-14-5S](#) [PTSF06SE-14-12S120-1833-000](#) [QCM019PC2DC012B](#) [1-2069279-1](#) [121583-0217](#) [121667-0020](#) [129591AU](#) [1000B BULK](#) [RD10A16-19-P6CS051/1](#)
[RD10A20-31-P8CS051/1](#) [RD16A14-12-S6CS051/2](#) [1301240290](#) [1301240347](#) [1301860202](#)