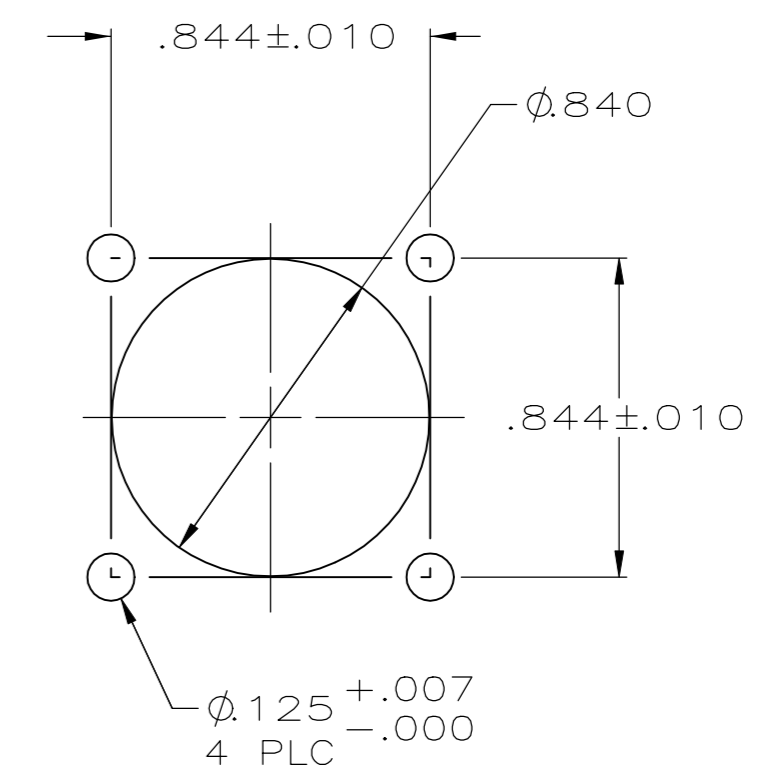
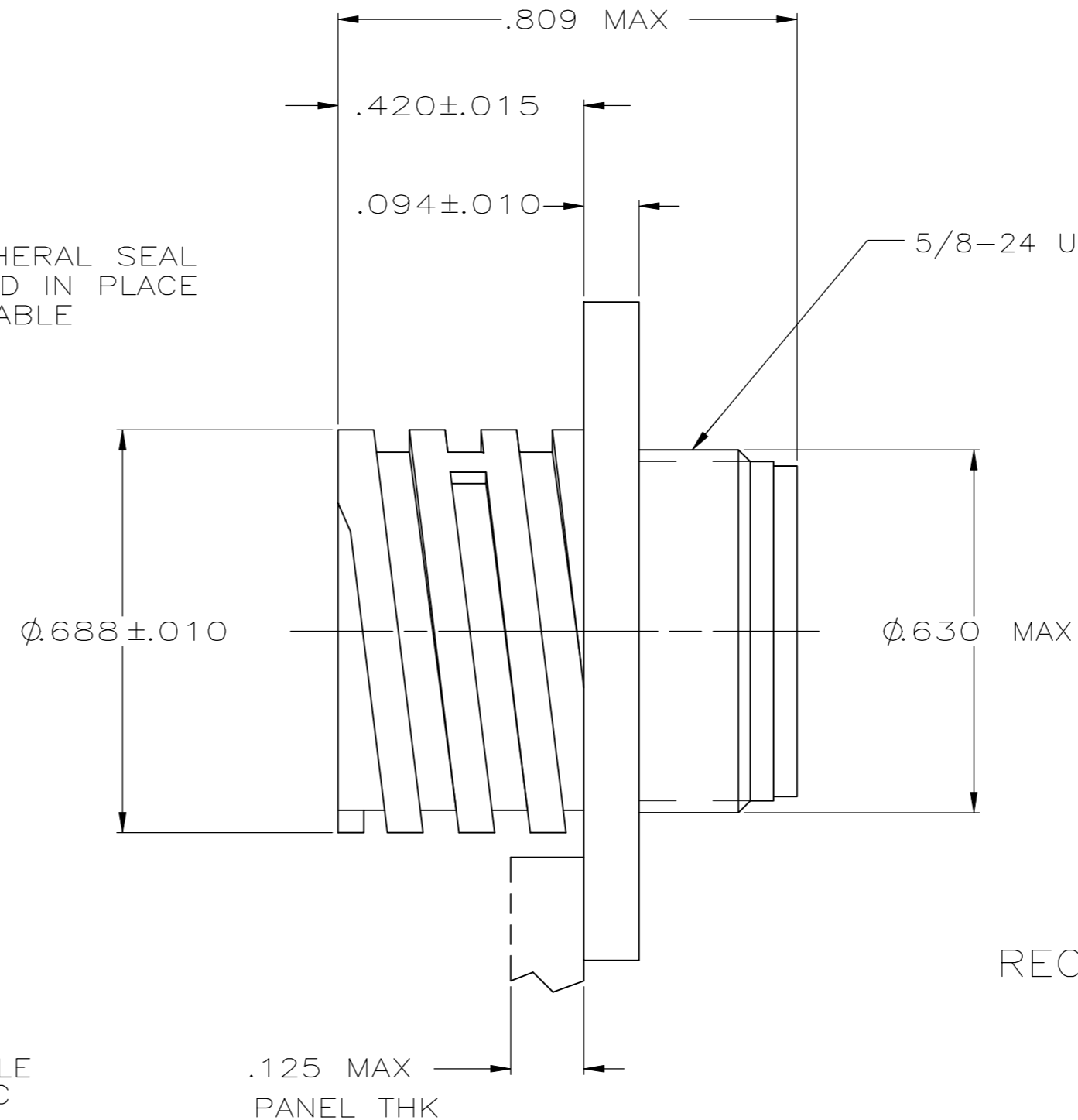
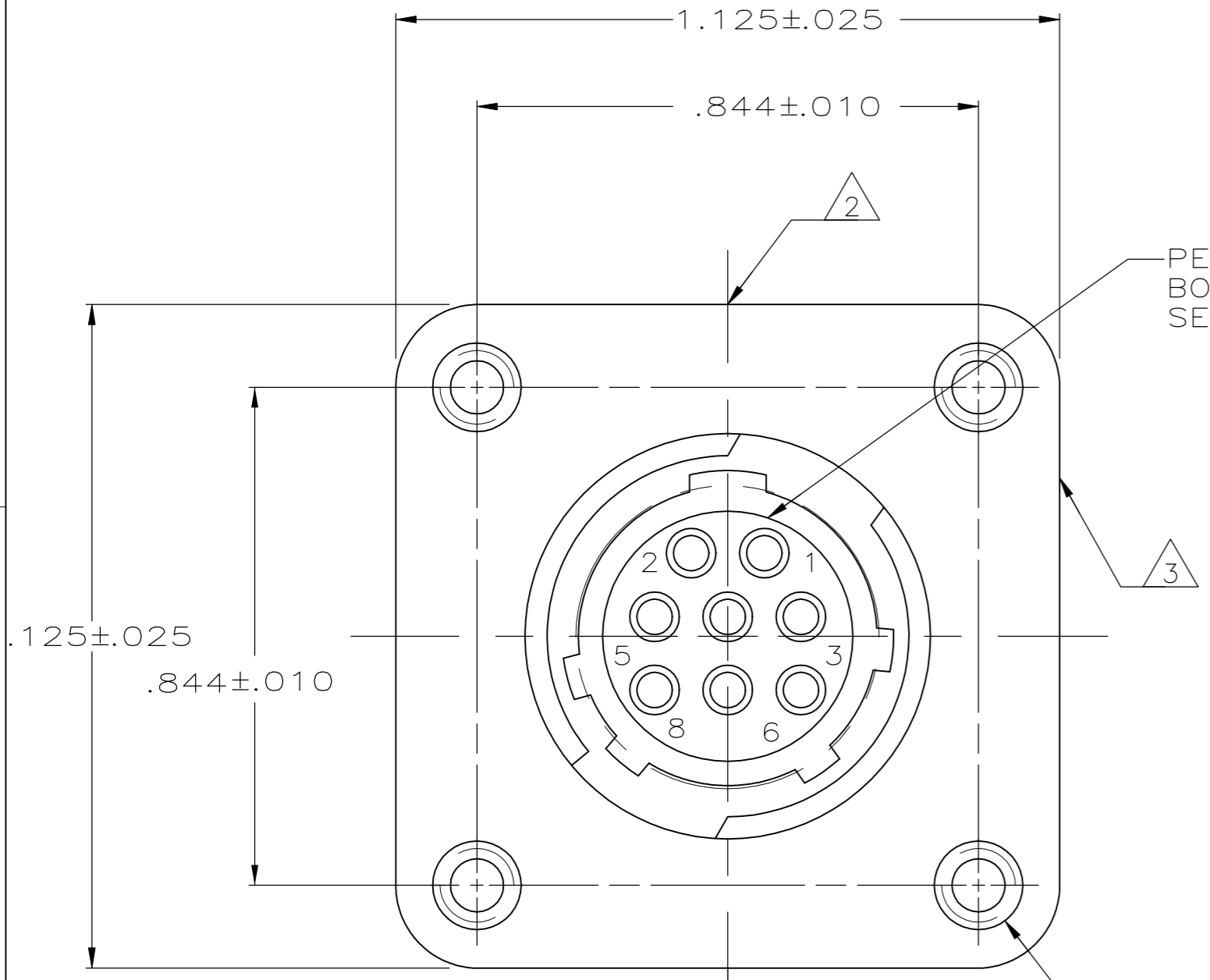
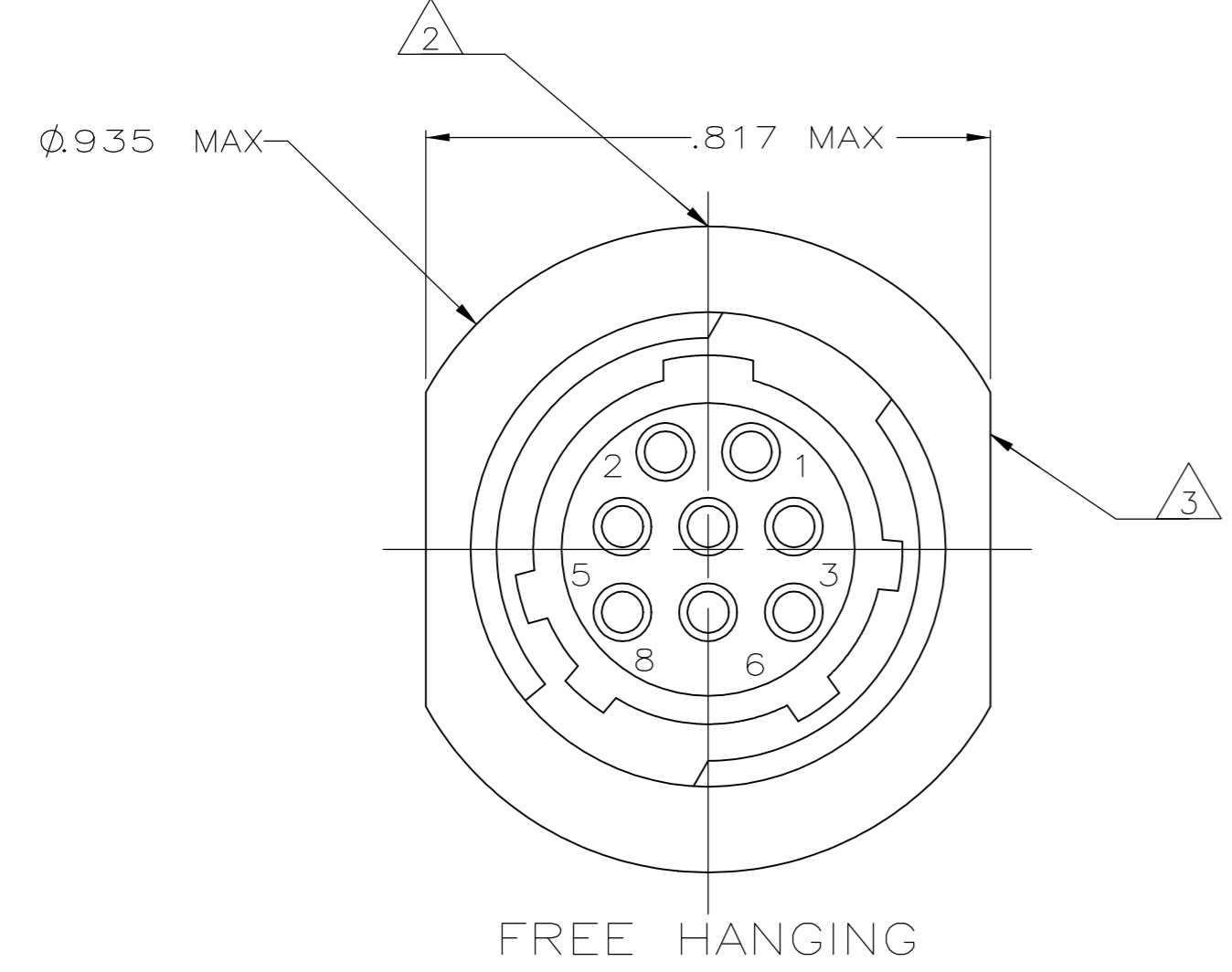


THIS DRAWING IS UNPUBLISHED.
 RELEASED FOR PUBLICATION
 ALL RIGHTS RESERVED.
 © COPYRIGHT - By -

| REVISIONS | | | | | |
|-----------|-----|---------------------------|-----------|-----|------|
| P | LTR | DESCRIPTION | DATE | DWN | APVD |
| H2 | | REVISED PER ECO-11-004587 | 11MAR11 | RK | HMR |
| J | | REVISED PER ECR-16-017870 | 20APR2017 | BDA | MZ |
| K | | REVISED PER ECO-18-000967 | 23MAR2018 | RS | MZ |



RECOMMENDED PANEL CUTOUT
 SCALE 2:1



| | | | | | |
|------------|-----------------|-------------------------------|------------------------------------|--------------|-------------|
| STANDARD | YES | 4-40 BRASS THREADED INSERT | 20 | FLANGED | 5 206433-6 |
| SMALL PACK | NO | .125 DIA | 20 | FLANGED | 206433-5 |
| STANDARD | NO | .125 DIA | 20DF WITHOUT INSULATION SUPPORT | FLANGED | 5 206433-4 |
| STANDARD | NO | 4-40 BRASS THREADED INSERT | 20 | FLANGED | 206433-3 |
| STANDARD | NO | - | 20 | FREE HANGING | 206433-2 |
| STANDARD | NO | .125 DIA | 20 | FLANGED | 206433-1 |
| PACKAGING | PERIPHERAL SEAL | A | WILL ACCEPT SOCKET CONTACT SIZE | TYPE | PART NUMBER |

- 1 CONTACT CAVITIES IDENTIFIED BY CHARACTERS ON FRONT AND REAR FACE.
- 2 AMP MOLDED ON THIS SURFACE.
- 3 PART NUMBER AND DATE CODE MARKED ON ANY FLANGE EDGE.
- 4 206433-4 STRIPPED WIRE LENGTH SHOULD BE .193-.213 WITH .095 MAX INSULATION.
- 5 OBSOLETE PART NUMBER.

THIS DRAWING IS A CONTROLLED DOCUMENT.

| | | | |
|---|--|---|--|
| DIMENSIONS: INCHES | TOLERANCES UNLESS OTHERWISE SPECIFIED: 0 PLC ± - 1 PLC ± - 2 PLC ± - 3 PLC ± .005 4 PLC ± - ANGLES ± - | DWN J.McCLINTON 1-25-88 CHK R.STONE 1-26-88 APVD M.KAPEZYNSKI 1-27-88 | NAME RECEPTACLE ASSEMBLY, ARRANGEMENT 11-8 REVERSE SEX, CPC |
| MATERIAL NYLON, GLASS FILLED, FLAME RETARDED, BLACK | FINISH - | APPLICATION SPEC - WEIGHT - | SIZE A2 CAGE CODE 00779 DRAWING NO. 206433 RESTRICTED TO - |

CUSTOMER DRAWING SCALE 4:1 SHEET 1 OF 1 REV K

X-ON Electronics

Largest Supplier of Electrical and Electronic Components

Click to view similar products for [Standard Circular Connector](#) category:

Click to view products by [TE Connectivity](#) manufacturer:

Other Similar products are found below :

[5M2530B10P](#) [600259N006](#) [600273N007](#) [6134-336-13149](#) [6134-337-11149](#) [6134-337-2390](#) [6134-341-17149](#) [6280-4SG-516](#) [6280-7SG-3DC](#)
[6290](#) [6291A](#) [66200A-10](#) [680-SMG](#) [681-PMG](#) [CXS3102A14S2P](#) [CXS3102A181S](#) [7271-6SG-300](#) [7282-3PG-300-CH3](#) [75-474014-05S](#) [75-](#)
[474618-01S](#) [75-474618-04P](#) [75-474618-04S](#) [799539-000](#) [MI8-SE](#) [805-005-07NF11-19PC](#) [805-005-07NF15-7PA](#) [8280-4PG-516](#) [8280-7PG-](#)
[519](#) [8282-5PG-519](#) [836783-1](#) [MP-4102-25P-C](#) [862256-1](#) [864019-2](#) [866857-1](#) [867865-1](#) [PT01SP-14-18P](#) [PT08P-14-5S](#) [120-1833-000](#)
[QCM019PC2DC012B](#) [1-2069279-1](#) [121583-0217](#) [121667-0020](#) [129591AU](#) [1000B BULK](#) [RD10A16-19-P6CS051/1](#) [RD10A20-31-](#)
[P8CS051/1](#) [RD16A14-12-S6CS051/2](#) [1301240290](#) [1301240347](#) [1301860202](#) [1301240268](#)