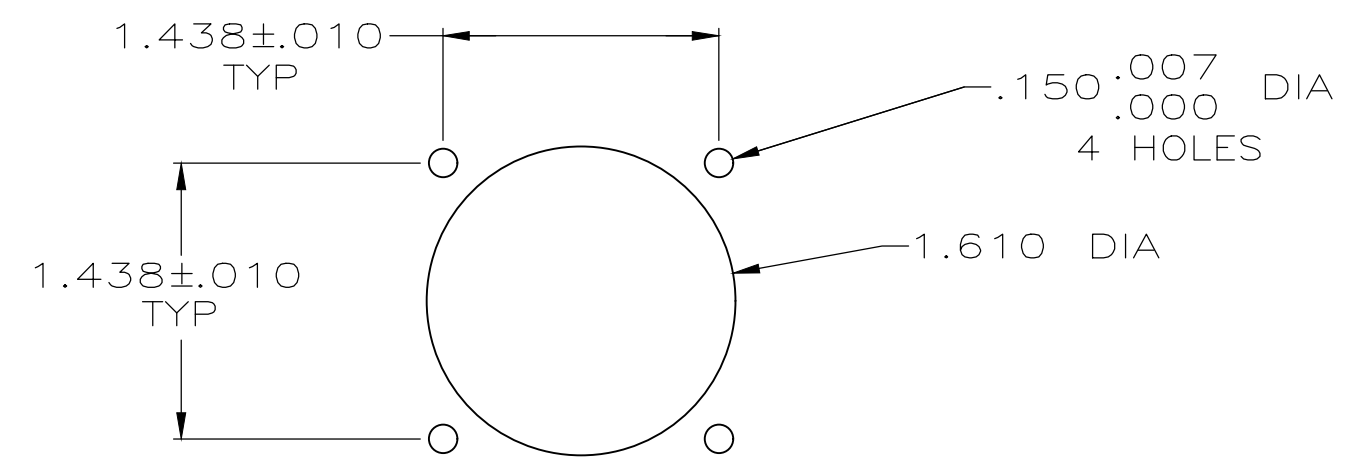
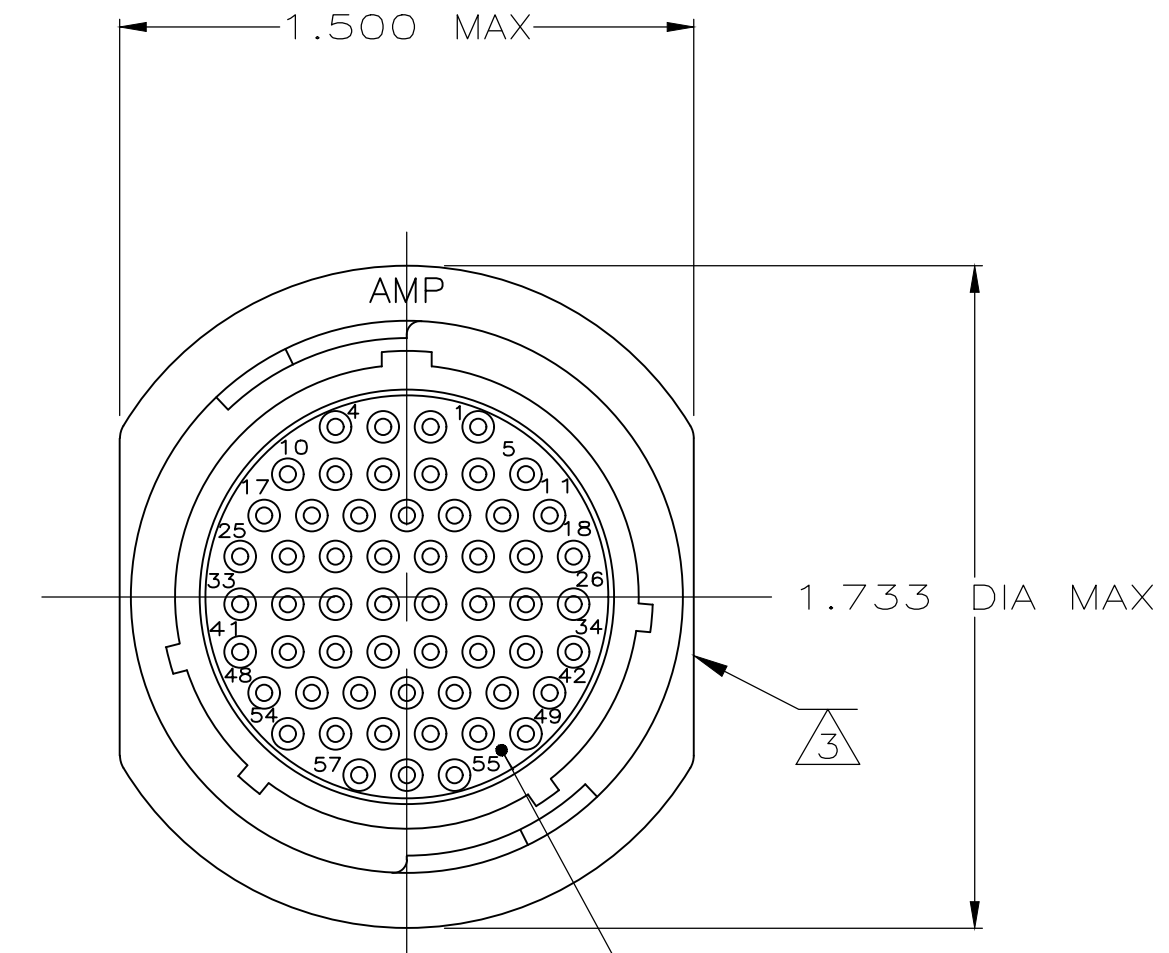
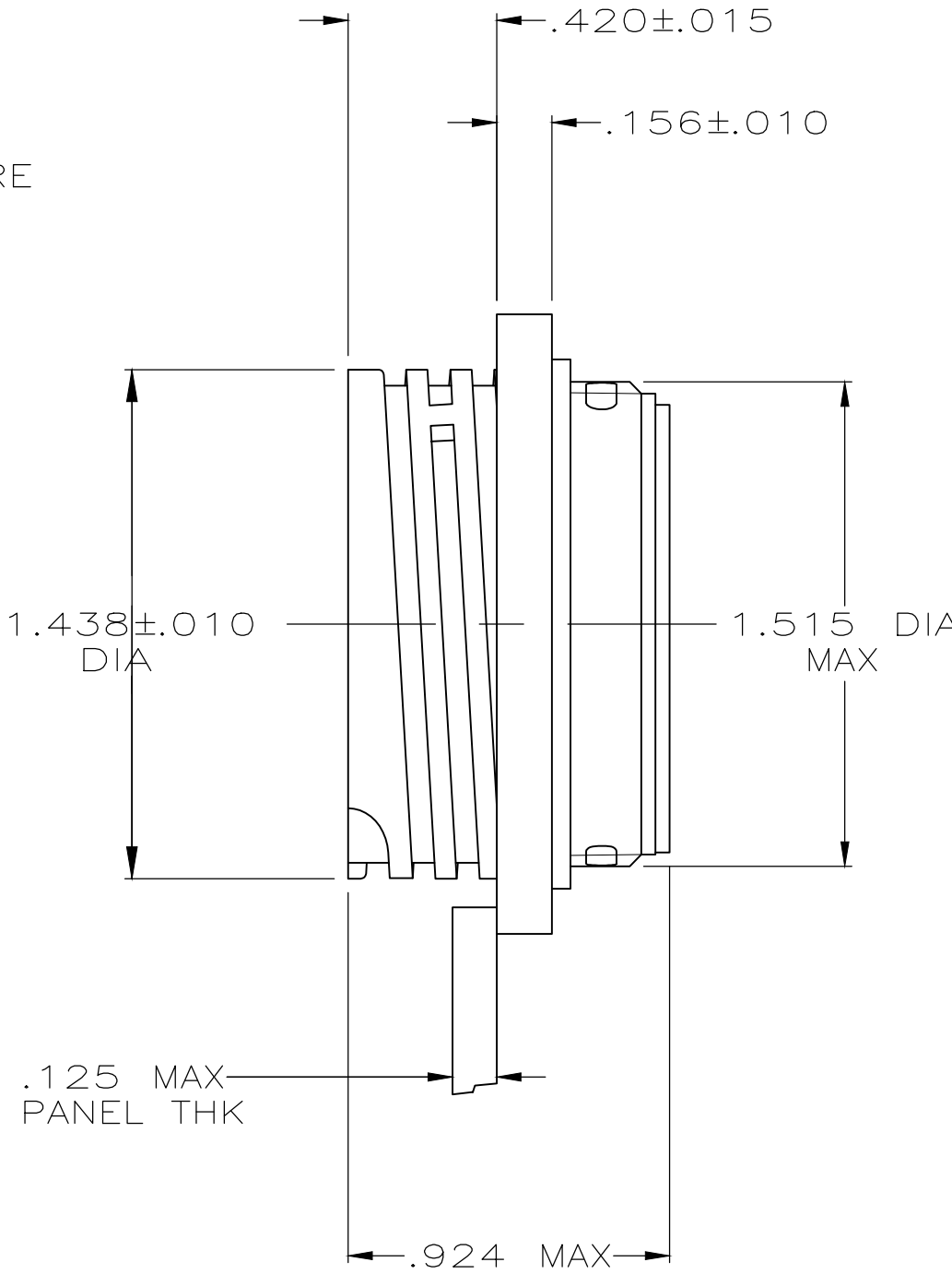
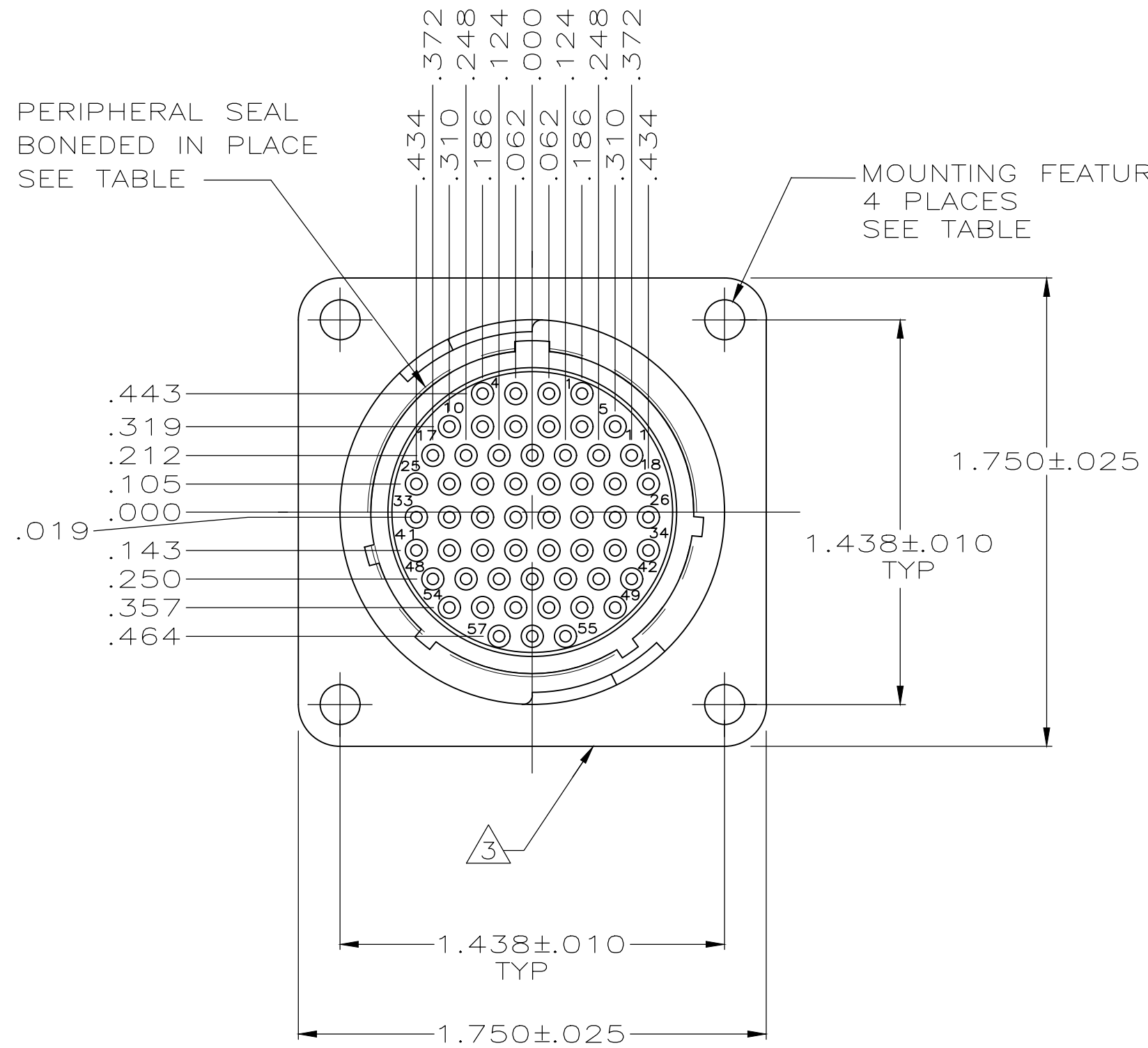


REVISIONS					
P	LTR	DESCRIPTION	DATE	DWN	APVD
L1		REVISED PER ECO-20-005564	27APR2020	RK	MZ



PANEL CUTOUT  
SCALE 1:1

NOTES:

- CONTACT CAVITIES IDENTIFIED BY CHARACTERS ON FRONT AND REAR FACES OF CONNECTOR.
- WILL ACCEPT (57) SIZE 20 SOCKET CONTACTS.
- PART NUMBER THIS AREA.
- #4 FASTENER RECOMMENDED FOR MOUNTING.
- OBSOLETE PARTS: OBSOLETE CIS STREAMLINING PER D.RENAUD/D.SINISI
- MATERIALS  
HOUSING: PA66, BLACK  
PERIPHERAL SEAL: NITRILE BUTADIENE RUBBER, BLACK  
THREADED INSERT: BRASS

OBSOLETE	#4-40 THREADED INSERTS	NO	206438-4
	Ø.150 MOUNTING HOLES	YES	206438-3
	Ø.150 MOUNTING HOLES	NO	206438-2
	Ø.150 MOUNTING HOLES	NO	206438-1
	MOUNTING FEATURES	PERIPHERAL SEAL	PART NUMBER

THIS DRAWING IS A CONTROLLED DOCUMENT.		DWN	A.STAUB BG	4/3/91		TE Connectivity			
DIMENSIONS: INCHES		CHK	W.G.LENKER	7-27-92		RECEPTACLE ASSEMBLY, REV SEX, SERIES 2, 23-57, CPC			
TOLERANCES UNLESS OTHERWISE SPECIFIED:		APVD	-	-	NAME				
0 PLC ± -		PRODUCT SPEC		108-10024		DRAWING NO			
1 PLC ± -		APPLICATION SPEC		-		SIZE	CAGE CODE	DRAWING NO	RESTRICTED TO
2 PLC ± -		MATERIAL		-		A2	00779	C=206438	-
3 PLC ± .005		FINISH		-		SCALE		SHEET	REV
4 PLC ± -		MATERIAL		-		2:1		1 of 1	L1
ANGLES ± -		MATERIAL		-		CUSTOMER DRAWING			

## X-ON Electronics

Largest Supplier of Electrical and Electronic Components

*Click to view similar products for [Standard Circular Connector](#) category:*

*Click to view products by [TE Connectivity](#) manufacturer:*

Other Similar products are found below :

[5M2530B10P](#) [600259N006](#) [600273N007](#) [6134-336-13149](#) [6134-337-11149](#) [6134-337-2390](#) [6134-341-17149](#) [6280-4SG-516](#) [6280-7SG-3DC6290](#) [6291A](#) [66200A-10](#) [680-SMG](#) [681-PMG](#) [CXS3102A14S2P](#) [CXS3102A181S](#) [7251-5SG-300](#) [7271-6SG-300](#) [7282-3PG-300-CH3](#) [75-474618-01S](#) [75-474618-04P](#) [75-474618-04S](#) [799539-000](#) [MI8-SE](#) [805-005-07NF11-19PC](#) [805-005-07NF15-7PA](#) [8280-4PG-516](#) [8280-7PG-519](#) [8282-5PG-519](#) [836783-1](#) [MP-4102-25P-C](#) [862256-1](#) [864019-2](#) [866857-1](#) [867865-1](#) [PT01SP-14-18P](#) [PT08P-14-5S](#) [PTSF06SE-14-12S120-1833-000](#) [QCM019PC2DC012B](#) [1-2069279-1](#) [121583-0217](#) [121667-0020](#) [129591AU](#) [1000B BULK](#) [RD10A16-19-P6CS051/1](#)  
[RD10A20-31-P8CS051/1](#) [RD16A14-12-S6CS051/2](#) [1301240290](#) [1301240347](#) [1301860202](#)