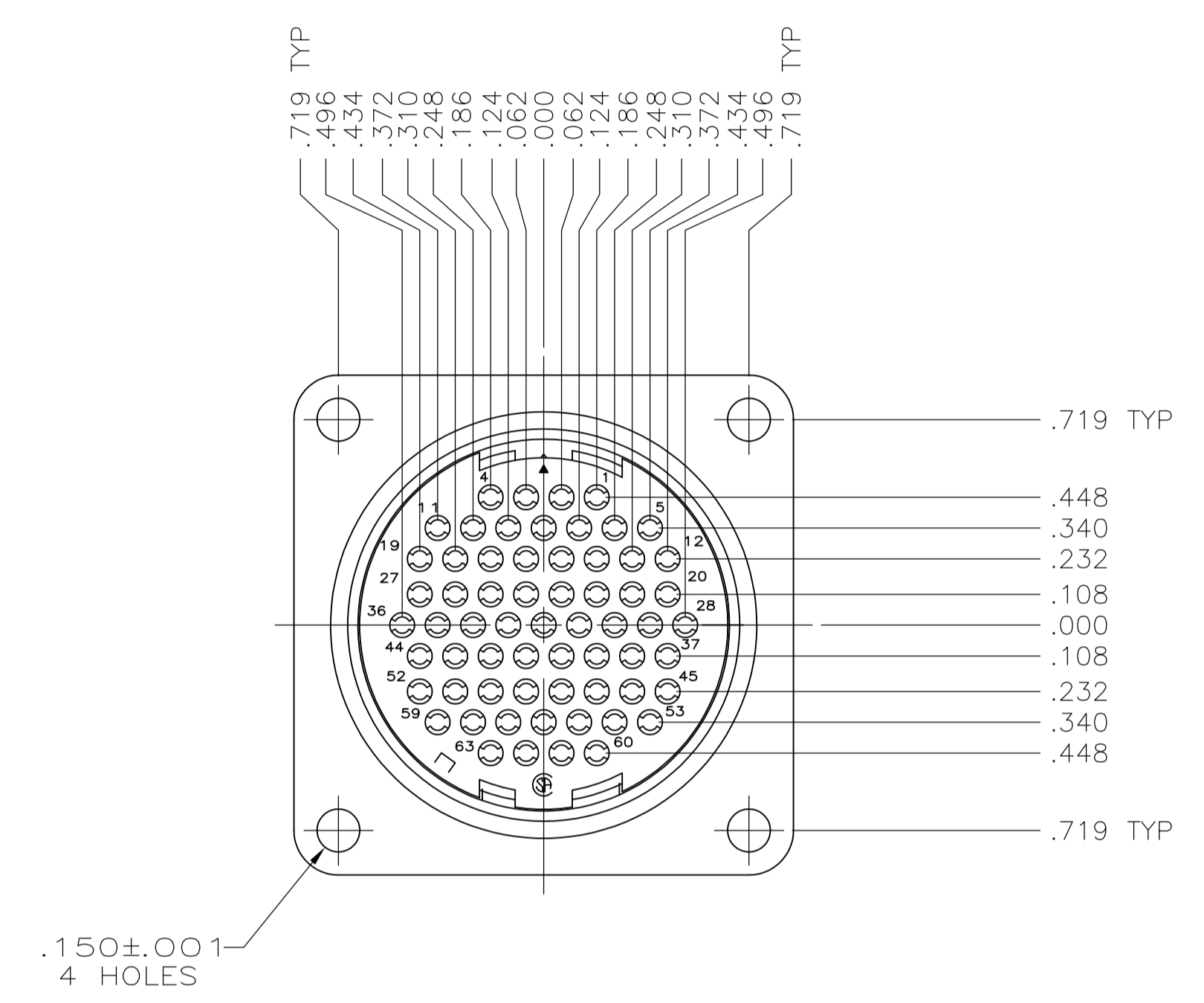
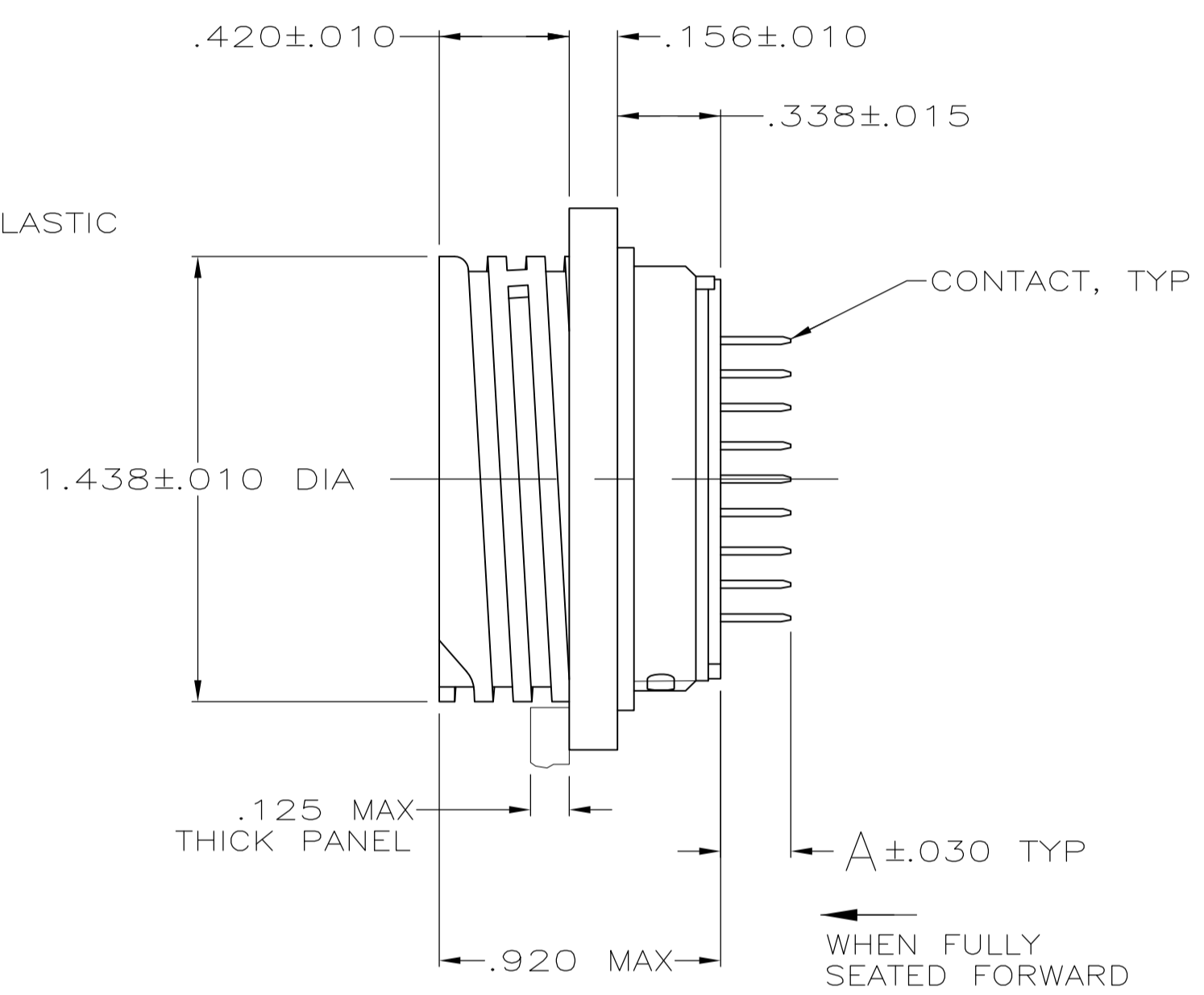
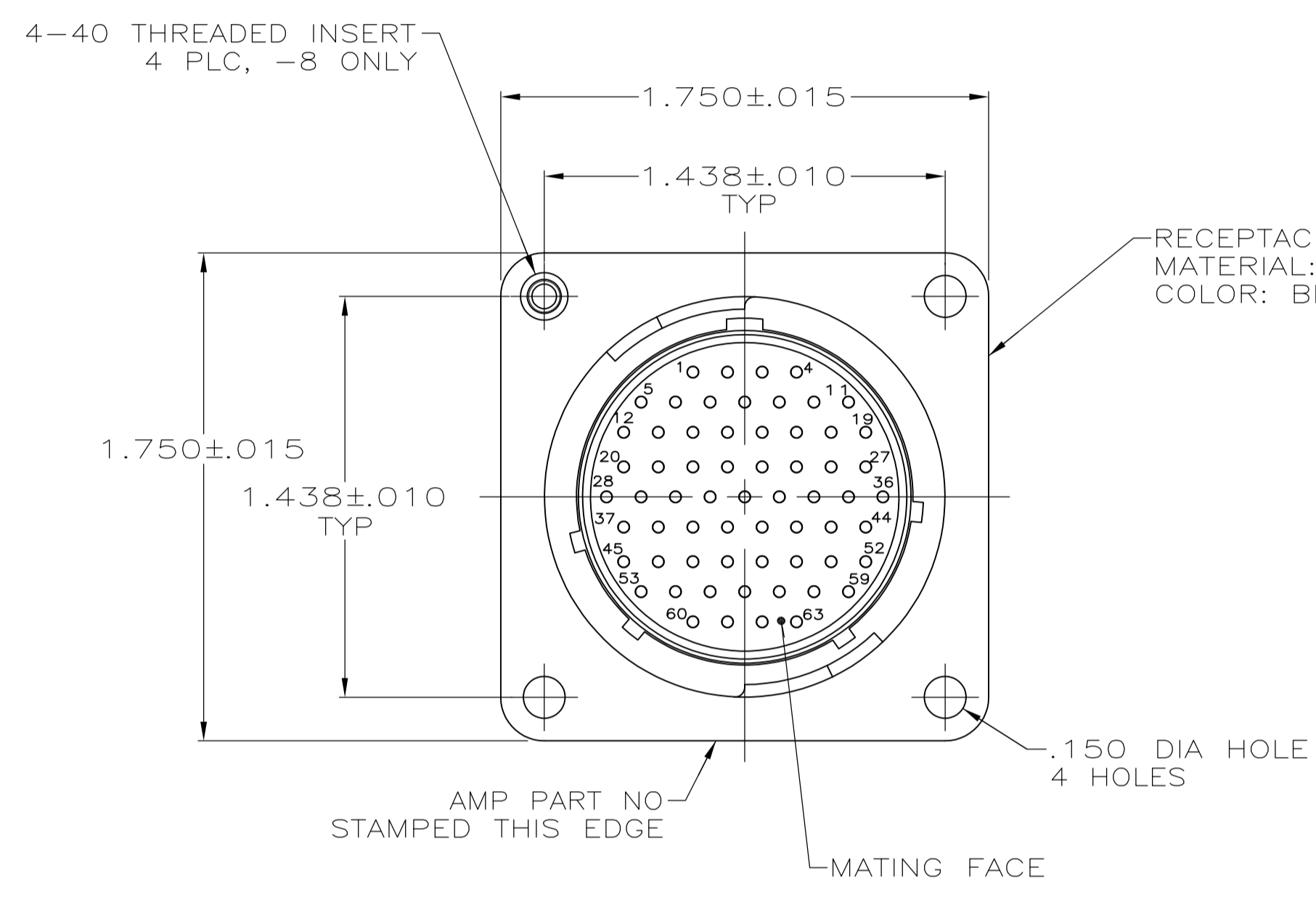


| REVISIONS | | | | | |
|-----------|-----|---------------------------|-----------|-----|------|
| P | LTR | DESCRIPTION | DATE | DMN | APVD |
| U1 | | REVISED PER ECO-16-004800 | 12SEP2016 | NK | MZ |
| V | | REVISED PER ECO-17-004657 | 06APR2017 | BDA | MZ |

- CONTACT CAVITIES IDENTIFIED BY CHARACTERS ON FRONT AND REAR OF CONNECTOR.
- .000030 MIN GOLD FOR A LENGTH OF .200 MIN FROM MATING END, .000100 MIN TIN-LEAD FOR A LENGTH OF DIMENSION "A" FROM OPPOSITE END, ALL OVER .000050 MIN NICKEL.
- RECOMMENDED PC BOARD HOLE SIZE FOR CONTACT POST = 1.02±0.08[.040±.003] DIA.
- .000030 MIN GOLD FOR A LENGTH OF .200 MIN FROM MATING END, .000100 MIN TIN FOR A LENGTH OF DIMENSION "A" FROM OPPOSITE END, ALL OVER .000050 MIN NICKEL.



| | | | |
|--|-----|------|------------|
| | NO | .227 | 1-206455-2 |
| | NO | .449 | 1-206455-1 |
| | YES | .671 | 206455-9 |
| | YES | .449 | 206455-8 |
| | NO | .671 | 206455-7 |
| | NO | .227 | 206455-3 |
| | NO | .227 | 206455-2 |
| | NO | .449 | 206455-1 |

| CONTACT FINISH | 4-40 THREADED INSERTS | A | PART NUMBER |
|----------------|-----------------------|---|-------------|
| | | | |

THIS DRAWING IS A CONTROLLED DOCUMENT.

| | | | |
|--------------------|--|--------------|---------|
| DIMENSIONS: INCHES | TOLERANCES UNLESS OTHERWISE SPECIFIED: | DIN | 5-30-91 |
| 0 PLC ± - | 1 PLC ± - | J. GALLUCCI | 4-14-92 |
| 2 PLC ± - | 3 PLC ± .005 | W. G. LENKER | |
| 4 PLC ± - | ANGLES ± - | K. BEAVER | 4-14-92 |

MATERIAL: SEE CALLOUT

FINISH: -

WEIGHT: A1

SIZE: A1

CAGE CODE: 00779

DRAWING NO: 206455

RESTRICTED TO: -

CUSTOMER DRAWING

SCALE: 2:1

SHEET: 1 OF 1

REV: V

STE TE Connectivity

RECEPTACLE ASSEMBLY, POSTED, STD SEX, SERIES 1, 23-63, CPC

108-10024

X-ON Electronics

Largest Supplier of Electrical and Electronic Components

Click to view similar products for [Standard Circular Connector](#) category:

Click to view products by [TE Connectivity](#) manufacturer:

Other Similar products are found below :

[5M2530B10P](#) [600259N006](#) [600273N007](#) [6134-336-13149](#) [6134-337-11149](#) [6134-337-2390](#) [6134-341-17149](#) [6280-4SG-516](#) [6280-7SG-3DC6290](#) [6291A](#) [66200A-10](#) [680-SMG](#) [681-PMG](#) [CXS3102A14S2P](#) [CXS3102A181S](#) [7251-5SG-300](#) [7271-6SG-300](#) [7282-3PG-300-CH3](#) [75-474618-01S](#) [75-474618-04P](#) [75-474618-04S](#) [799539-000](#) [MI8-SE](#) [805-005-07NF11-19PC](#) [805-005-07NF15-7PA](#) [8280-4PG-516](#) [8280-7PG-519](#) [8282-5PG-519](#) [836783-1](#) [MP-4102-25P-C](#) [862256-1](#) [864019-2](#) [866857-1](#) [867865-1](#) [PT01SP-14-18P](#) [PT08P-14-5S](#) [PTSF06SE-14-12S120-1833-000](#) [QCM019PC2DC012B](#) [1-2069279-1](#) [121583-0217](#) [121667-0020](#) [129591AU](#) [1000B BULK](#) [RD10A16-19-P6CS051/1](#)
[RD10A20-31-P8CS051/1](#) [RD16A14-12-S6CS051/2](#) [1301240290](#) [1301240347](#) [1301860202](#)