



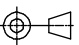


CODE 54 - TINEL-LOCK BACKSHELL

TXR54AB00-1608AI-S

SERIES _____
 TXR: RING INCLUDED
 (SEE RING OPTION)
 TX: RING NOT INCLUDED
 CONNECTOR INTERFACE _____
 MATERIAL _____
 REFER TO CH00-0250-008
 FINISH _____
 REFER TO CH00-0250-008
 ANGLE _____
 DASH NUMBER (TABLE 1) _____
 ENTRY SIZE (TABLE 2) _____
 RING OPTION _____
 AI - TO SUIT SINGLE BRAID
 BI - TO SUIT DOUBLE BRAID
 FOR TX, LEAVE BLANK
 MODIFICATION CODE _____
 REFER TO CH00-0250-008

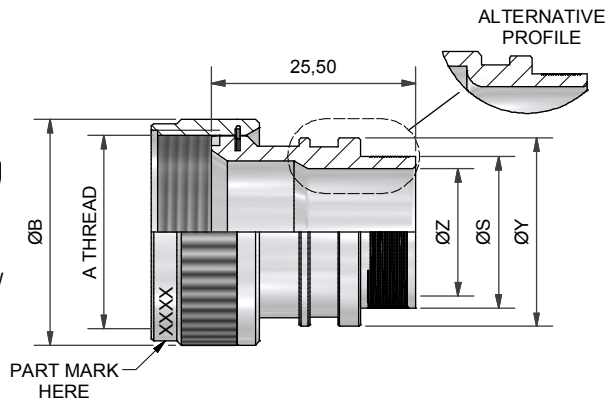
NOTES:

1. THIS PRODUCT IS DESIGNED TO TERMINATE A BRAIDED CABLE SHIELD AND A HEAT SHRINKABLE LIPPED BOOT TO A CONNECTOR.
- (2) FOR ADDITIONAL DIMENSIONS, ORDERING INFORMATION AND MODIFICATIONS, SEE CH00-0250-008.
- (3) SEE DRAWING TR FOR DETAIL ON TINEL-LOCK RING, RINGS ARE DESIGNED TO BE HEATED ELECTRICALLY, ALL RINGS ARE MARKED WITH THERMOCHROMIC PAINT WHICH CHANGES COLOUR WHEN INSTALLATION TEMPERATURE IS REACHED.
4. BACKSHELL TO BE PERMANENTLY MARKED/BAGGED AND LABELLED WITH CODE IDENTIFICATION NUMBER AND PART NUMBER LESS RING DESIGNATOR. (e.g. 06090-TXR54AB00-1206). RING SHALL BEAR NO MARKING.
- (5) FOR LARGER ENTRY SIZES, A 2 PIECE BACKSHELL ASSEMBLY (TYPE 2) IS SUPPLIED.
- (6) BACKSHELL MATES TO MIL-C-81703, SERIES III, MS3424, MS3446, MS3464, MS3467, MS3468
- (7) BACKSHELL MATES TO MIL-C-5015G, MS3400 SERIES, CLASS D, E, K, L, U & W, MS3400, MS3401, MS3404, MS3406 MS3424, MS3446, MS3464, MS3467, MS3468, MS3450, MS3451, MS3454, MS3456, MS3470, MS3471, MS3472, MS3474, MS3475, MS3476. MIL-C-83723, SERIES II, CLASS A & L. MIL-C-83723, SERIES I & II, CLASS A, G, K, R & S: M83723/1, /2, /3, /4, /5, /6, /7, /8, /13, /14, /36, /37, /38, /39, /40, /41, /42, /43, /48, /49, /65, /66, /67, /68, /69, /70, /71, /72, /73, /74, /75, /76, /77, /78, /82, /83, /84, /85, /86, /87, /91, /92, /95, /97, /98, (MS3155 CONTROLLED INTERFACE).
- (8) THESE DIMENSIONS APPLY IF A SELF-LOCKING COUPLING NUT IS USED.

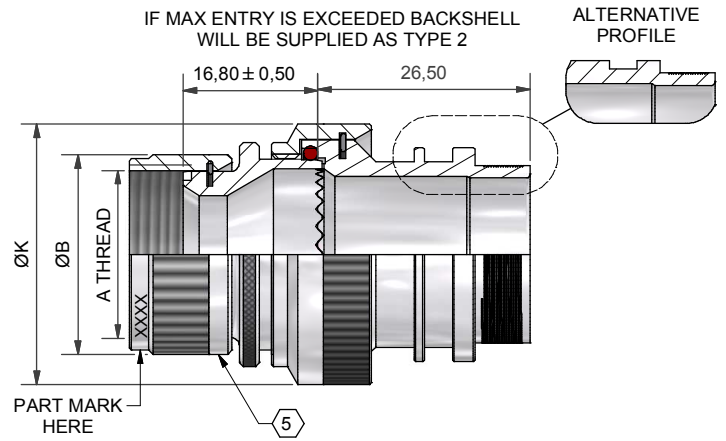
| | | | | | | | | |
|--|---------------------------|-------------|----------------------|--|--|------------------------------------|--|---|
| DRAWN | K.WINCZURA | DATE | 01/12/2014 |  3RD ANGLE PROJECTION NOT TO SCALE UNLESS OTHERWISE SPECIFIED ALL DIMENSIONS IN MILLIMETRES GENERAL TOL LINEAR +/-0.25MM ANGULAR +/- 1° | TITLE: | TINEL-LOCK BACKSHELL |  Polamco  | |
| CHECKED | | 01/12/2014 | ASSY USED ON: | | | | | MIL-DTL-26482 SERIES II / MIL-DTL-83723 SERIES I & III |
| APPROVED | K.SHEPPARD | 04/12/2014 | | | | | | |
| APPROVED | | | | | | | | |
| REVISIONS | | | | | | | | |
| LTR | DESCRIPTION | DATE | APPROVED | | | | | |
| K | REVISED PER ECO-15-002312 | 13.02.15 | H.SMITH | | | | | |
| L | REVISED PER ECO-17-009011 | 21.06.17 | D.JONES | | | | | |
| TE CAGE CODE: 06090 POLAMCO/TE CAGE CODE: U5792 | | | | | TE CONNECTIVITY - POLAMCO LTD RESERVES THE RIGHT TO AMEND THIS DRAWING AND THE INFORMATION SET FORTH HEREON AT ANY TIME. USERS SHOULD INDEPENDENTLY EVALUATE THE SUITABILITY OF THE PRODUCT FOR THEIR APPLICATION. | DRAWING NO: TXR54 | DRAWING REV: L | SHT 1 |



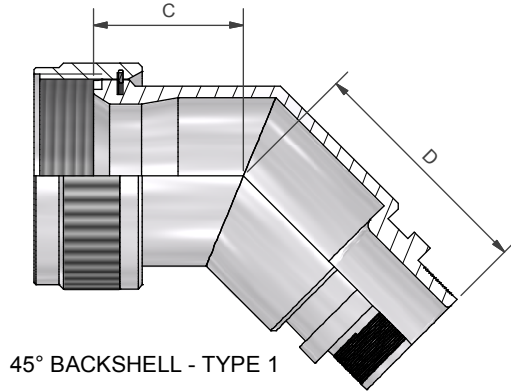
STAINLESS STEEL TEETH VIEW



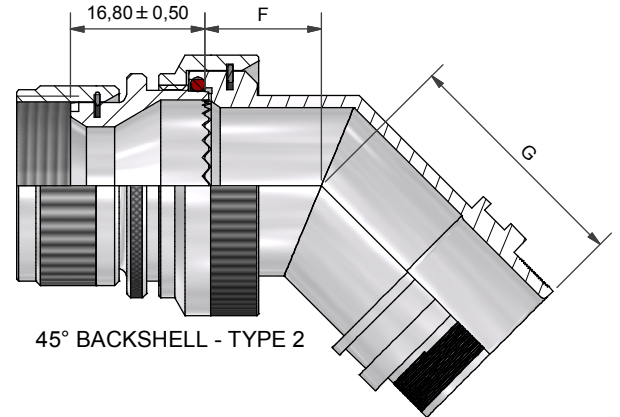
STRAIGHT BACKSHELL - TYPE 1



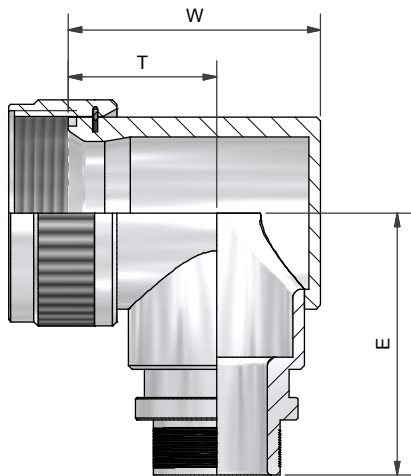
STRAIGHT BACKSHELL - TYPE 2



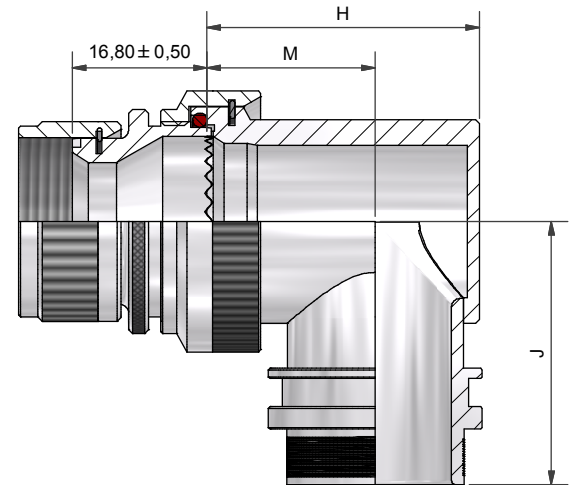
45° BACKSHELL - TYPE 1



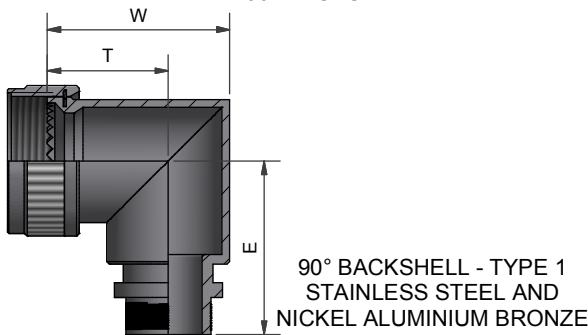
45° BACKSHELL - TYPE 2



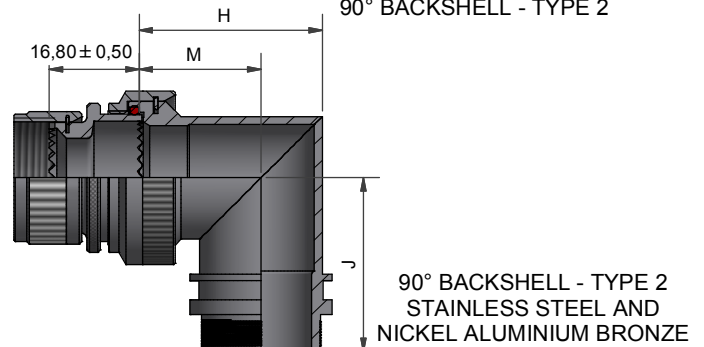
90° BACKSHELL - TYPE 1



90° BACKSHELL - TYPE 2



90° BACKSHELL - TYPE 1
STAINLESS STEEL AND
NICKEL ALUMINIUM BRONZE



90° BACKSHELL - TYPE 2
STAINLESS STEEL AND
NICKEL ALUMINIUM BRONZE

| | | | |
|----------|------------|------|------------|
| DRAWN | K.WINCZURA | DATE | 01/12/2014 |
| CHECKED | | DATE | 01/12/2014 |
| APPROVED | K.SHEPPARD | DATE | 04/12/2014 |
| APPROVED | | | |

3RD ANGLE PROJECTION NOT TO SCALE

UNLESS OTHERWISE SPECIFIED ALL DIMENSIONS IN MILLIMETRES
GENERAL TOL
LINEAR +/-0.25MM
ANGULAR +/- 1°

TITLE: TINEL-LOCK BACKSHELL

ASSY USED ON: MIL-DTL-26482 SERIES II / MIL-DTL-83723 SERIES I & III

| REVISIONS | | | |
|-----------|---------------------------|----------|----------|
| LTR | DESCRIPTION | DATE | APPROVED |
| K | REVISED PER ECO-15-002312 | 13.02.15 | H.SMITH |
| L | REVISED PER ECO-17-009011 | 21.06.17 | D.JONES |

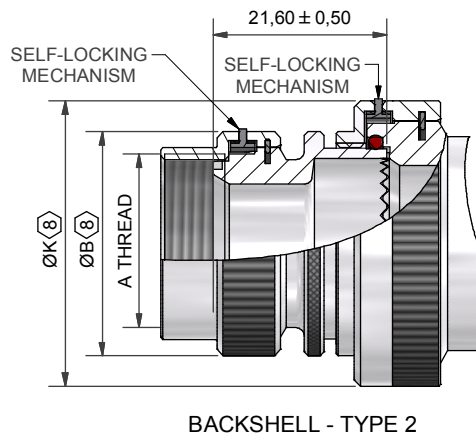
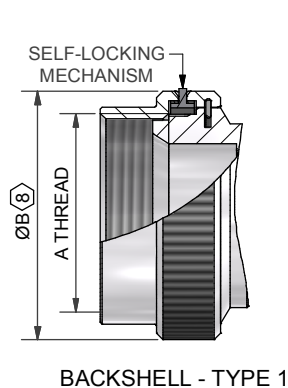
TE CAGE CODE: 06090
POLAMCO/TE CAGE CODE: U5792

TE CONNECTIVITY - POLAMCO LTD RESERVES THE RIGHT TO AMEND THIS DRAWING AND THE INFORMATION SET FORTH HEREON AT ANY TIME. USERS SHOULD INDEPENDENTLY EVALUATE THE SUITABILITY OF THE PRODUCT FOR THEIR APPLICATION.

| | | |
|-----------------------------|--------------------------|-----------------|
| DRAWING NO: TXR54 | DRAWING REV: L | SHT 2 |
|-----------------------------|--------------------------|-----------------|



MODIFICATION S (SELF-LOCKING COUPLING NUT)



BACKSHELL - TYPE 1

BACKSHELL - TYPE 2

TABLE 1

| ORDER NO. | SHELL SIZE | | A THREAD | ØB MAX | ØB MAX (8) | MAX ENTRY | C ±0,5 | D ±0,5 | W ±0,5 | T ±0,5 | E ±0,5 | THESE DIMENSIONS APPLY IF BACKSHELL IS STAINLESS STEEL OR NICKEL ALUMINIUM BRONZE | | |
|-----------|------------|---------------|----------------|--------|------------|-----------|--------|--------|--------|--------|--------|---|--------|--------|
| | (6) | (7) | | | | | | | | | | W ±0,5 | T ±0,5 | E ±0,5 |
| 03 | 3 | | 9/16-24 UNEF | 17,0 | 19,4 | 04 | 16,8 | 27,0 | 26,4 | 17,8 | 25,9 | 26,3 | 16,0 | 25,9 |
| 08 | | 8 & 8S | 1/2-20 UNF | 15,6 | 18,0 | 04 | 16,6 | 26,8 | 24,5 | 17,5 | 26,2 | 22,4 | 17,5 | 26,2 |
| 10 | | 10, 10S, 10SL | 5/8-24 UNEF | 18,6 | 21,0 | 06 | 16,8 | 27,5 | 26,5 | 17,8 | 28,0 | 25,0 | 18,8 | 28,0 |
| 12 | 7 | 12 & 12S | 3/4-20 UNEF | 21,7 | 25,0 | 08 | 17,3 | 28,0 | 29,0 | 18,7 | 29,5 | 28,3 | 20,4 | 29,5 |
| 14 | 12 | 14 & 14S | 7/8-20 UNEF | 24,9 | 28,0 | 08 | 18,1 | 29,0 | 30,5 | 19,0 | 30,3 | 30,4 | 21,5 | 31,0 |
| 16 | 19 | 16 & 16S | 1-20 UNEF | 28,2 | 31,0 | 10 | 19,0 | 29,7 | 34,0 | 21,0 | 32,7 | 33,5 | 23,0 | 32,7 |
| 18 | 27 | 18 | 1 1/16-18 UNEF | 30,9 | 34,0 | 12 | 19,2 | 30,5 | 37,0 | 23,5 | 32,7 | 35,5 | 24,0 | 32,7 |
| 20 | 37 | 20 | 1 3/16-18 UNEF | 34,1 | 36,5 | 14 | 20,1 | 30,9 | 42,0 | 27,0 | 34,3 | 38,8 | 25,7 | 34,3 |
| 22 | | 22 | 1 5/16-18 UNEF | 37,3 | 39,8 | 16 | 20,3 | 31,1 | 44,0 | 27,0 | 35,8 | 41,9 | 27,2 | 35,8 |
| 24 | | 24 | 1 7/16-18 UNEF | 40,4 | 42,0 | 18 | 21,8 | 32,1 | 45,0 | 27,0 | 37,4 | 44,8 | 28,7 | 37,4 |
| 28 | | 28 | 1 3/4-18UNS | 50,0 | 49,8 | 22 | 23,3 | 32,5 | 54,2 | 31,4 | 41,9 | 50,7 | 31,6 | 41,9 |
| 32 | | 32 | 2-18 UNS | 56,3 | 57,2 | 24 | 25,0 | 29,3 | 60,9 | 36,4 | 45,3 | 60,0 | 33,5 | 45,3 |
| 36 | | 36 | 2 1/4-16 UN | 62,7 | 63,6 | 28 | 26,2 | 30,7 | 67,2 | 38,0 | 48,4 | 65,5 | 36,0 | 48,4 |
| 40 | | 40 | 2 1/2-16 UN | 69,0 | 70,0 | 28 | 28,6 | 32,0 | 73,2 | 41,0 | 51,4 | 72,0 | 39,3 | 51,4 |
| 44 | | 44 | 2 3/4-16 UN | 75,4 | 75,4 | 28 | 30,1 | 33,7 | 79,5 | 44,1 | 54,6 | 75,5 | 40,8 | 54,6 |
| 48 | | 48 | 3-16UN | 81,7 | 81,7 | 28 | 31,3 | 34,9 | 85,8 | 47,2 | 57,7 | 75,5 | 40,8 | 57,7 |
| 61 | 61 | | 1 1/2-18 UNEF | 42,0 | 43,6 | 18 | 22,1 | 26,6 | 47,8 | 28,0 | 38,7 | 48,3 | 27,0 | 38,7 |

TABLE 2

| ENTRY SIZE | ØZ MIN | ØS | ØY ± 0,3 | ØK MAX | ØK MAX (8) | F ±0,5 | G ±0,5 | H ±0,5 | M ±0,5 | J ±0,5 | THESE DIMENSIONS APPLY IF BACKSHELL IS STAINLESS STEEL OR NICKEL ALUMINIUM BRONZE | | | |
|------------|--------|---------------|----------|--------|------------|--------|--------|--------|--------|--------|---|--------|--------|----|
| | | | | | | | | | | | H ±0,5 | M ±0,5 | J ±0,5 | |
| 04 | 6,35 | 9,49 +/-0,04 | 14,00 | NA | NA | NA | NA | NA | NA | NA | NA | NA | NA | NA |
| 05 | 7,92 | 11,06 +/-0,04 | 15,50 | 21,0 | 24,6 | 12,5 | 27,5 | 24,0 | 15,5 | 27,95 | 24,3 | 17,2 | 28,2 | |
| 06 | 9,53 | 12,66 +/-0,04 | 17,10 | 21,0 | 24,6 | 12,5 | 27,5 | 24,0 | 15,5 | 27,95 | 24,3 | 17,2 | 28,2 | |
| 07 | 11,10 | 14,21 +/-0,07 | 18,70 | 21,0 | 24,6 | 12,5 | 27,5 | 24,0 | 15,5 | 27,95 | 24,3 | 17,2 | 28,2 | |
| 08 | 12,70 | 15,81 +/-0,07 | 20,30 | 24,5 | 28,3 | 13,1 | 28,0 | 27,0 | 17,0 | 29,45 | 28,3 | 19,4 | 29,7 | |
| 10 | 15,88 | 18,96 +/-0,08 | 23,50 | 29,0 | 32,4 | 13,5 | 29,0 | 31,0 | 19,5 | 31,00 | 31,1 | 21,0 | 31,2 | |
| 12 | 19,05 | 22,14 +/-0,08 | 26,70 | 32,5 | 35,6 | 14,5 | 29,7 | 34,0 | 21,0 | 32,70 | 34,2 | 22,8 | 32,9 | |
| 14 | 22,23 | 25,30 +/-0,08 | 29,80 | 35,5 | 38,5 | 15,5 | 30,5 | 35,0 | 20,0 | 34,25 | 38,5 | 25,3 | 34,5 | |
| 16 | 25,40 | 28,48 +/-0,08 | 33,00 | 37,0 | 41,7 | 16,1 | 30,9 | 38,0 | 21,5 | 35,80 | 40,7 | 26,1 | 36,1 | |
| 18 | 28,58 | 31,65 +/-0,08 | 36,20 | 40,0 | 43,9 | 16,5 | 31,1 | 42,0 | 24,0 | 37,40 | 43,7 | 27,6 | 37,6 | |
| 20 | 31,75 | 34,83 +/-0,08 | 39,40 | 43,5 | 47,0 | 17,0 | 32,1 | 45,0 | 25,5 | 38,90 | 46,4 | 29,1 | 39,1 | |
| 22 | 34,93 | 37,98 +/-0,08 | 42,50 | 48,5 | 50,0 | 18,5 | 35,3 | 54,5 | 31,0 | 42,00 | 50,0 | 31,0 | 42,0 | |
| 24 | 38,10 | 41,15 +/-0,08 | 45,70 | 52,1 | 56,0 | 21,9 | 38,1 | 58,0 | 33,0 | 46,00 | 53,5 | 33,0 | 46,0 | |
| 28 | 44,45 | 47,50 +/-0,08 | 52,00 | 58,5 | 61,0 | 26,9 | 44,4 | 65,5 | 36,5 | 51,1 | 60,3 | 36,5 | 51,1 | |

| | | | | | |
|----------|------------|------|------------|--|--|
| DRAWN | K.WINCZURA | DATE | 01/12/2014 | | 3RD ANGLE PROJECTION NOT TO SCALE |
| CHECKED | | DATE | 01/12/2014 | | |
| APPROVED | K.SHEPPARD | DATE | 04/12/2014 | | UNLESS OTHERWISE SPECIFIED ALL DIMENSIONS IN MILLIMETRES GENERAL TOL LINEAR +/-0,25MM ANGULAR +/- 1° |
| APPROVED | | | | | |

TITLE:
TINEL-LOCK BACKSHELL

ASSY USED ON:
MIL-DTL-26482 SERIES II / MIL-DTL-83723 SERIES I & III



| REVISIONS | | | |
|-----------|---------------------------|----------|----------|
| LTR | DESCRIPTION | DATE | APPROVED |
| K | REVISED PER ECO-15-002312 | 13.02.15 | H.SMITH |
| L | REVISED PER ECO-17-009011 | 21.06.17 | D.JONES |

TE CONNECTIVITY - POLAMCO LTD RESERVES THE RIGHT TO AMEND THIS DRAWING AND THE INFORMATION SET FORTH HEREON AT ANY TIME. USERS SHOULD INDEPENDENTLY EVALUATE THE SUITABILITY OF THE PRODUCT FOR THEIR APPLICATION.

| | | |
|-------------|--------------|-----|
| DRAWING NO: | DRAWING REV: | SHT |
| TXR54 | L | 3 |

TE CAGE CODE: 06090
POLAMCO/TE CAGE CODE: U5792

X-ON Electronics

Largest Supplier of Electrical and Electronic Components

Click to view similar products for [Circular MIL Spec Strain Reliefs & Adapters](#) category:

Click to view products by [TE Connectivity](#) manufacturer:

Other Similar products are found below :

[896227-000](#) [899170S004](#) [6000-063-0022](#) [613751-000](#) [CS6624-000](#) [620AB038Z136](#) [620AS001Z108](#) [620AS038Z112](#) [620AS038Z120](#)
[620AS038Z132](#) [620FB038NF08](#) [620HA038NF13](#) [620HA038NF25](#) [620HA042XM13](#) [620HB049NF17](#) [620HS011NF21](#) [620HS038NF11](#)
[620HS038Z121](#) [620HS042XM19](#) [620HS042XM25](#) [620HS042XW13](#) [620HS048B17](#) [620MS064NF09](#) [620MS064NF12](#) [620MS065M12](#)
[620MS065Z107](#) [620MS065ZNU06](#) [630J041M06H](#) [630J041M20H](#) [640830-000](#) [659943-000](#) [CW0597-000](#) [CW0598-000](#) [CW0948-000](#)
[CY0122-000](#) [M85049/41-6A W/B](#) [M85049/42-12DS](#) [M85049/47N8](#) [M85049/47W18](#) [M85049/51-1-14S](#) [M85049/51-1-8W](#) [M85049/60-](#)
[1N16](#) [M85049/60-2G12W](#) [M85049/69-11N](#) [CZ3661-000](#) [D02922-000](#) [70.360.1628.0](#) [703797-000](#) [D38999/20FJ24SC L/C](#) [705825-000](#)