

THIS DRAWING IS UNPUBLISHED.

RELEASED FOR PUBLICATION

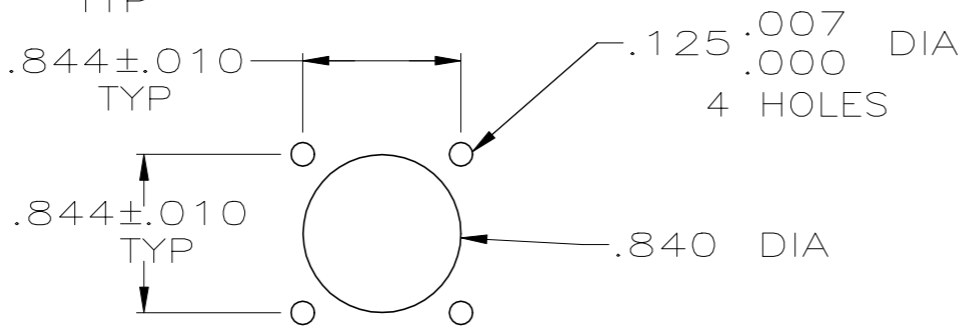
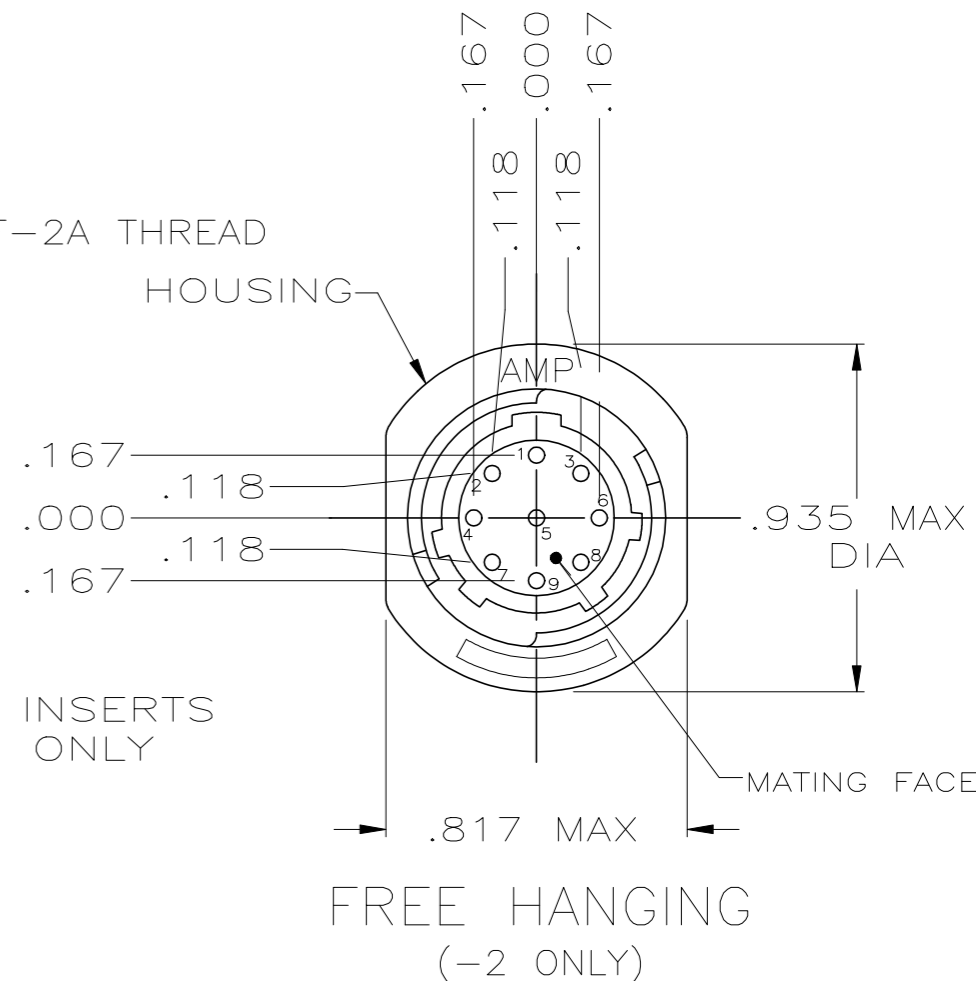
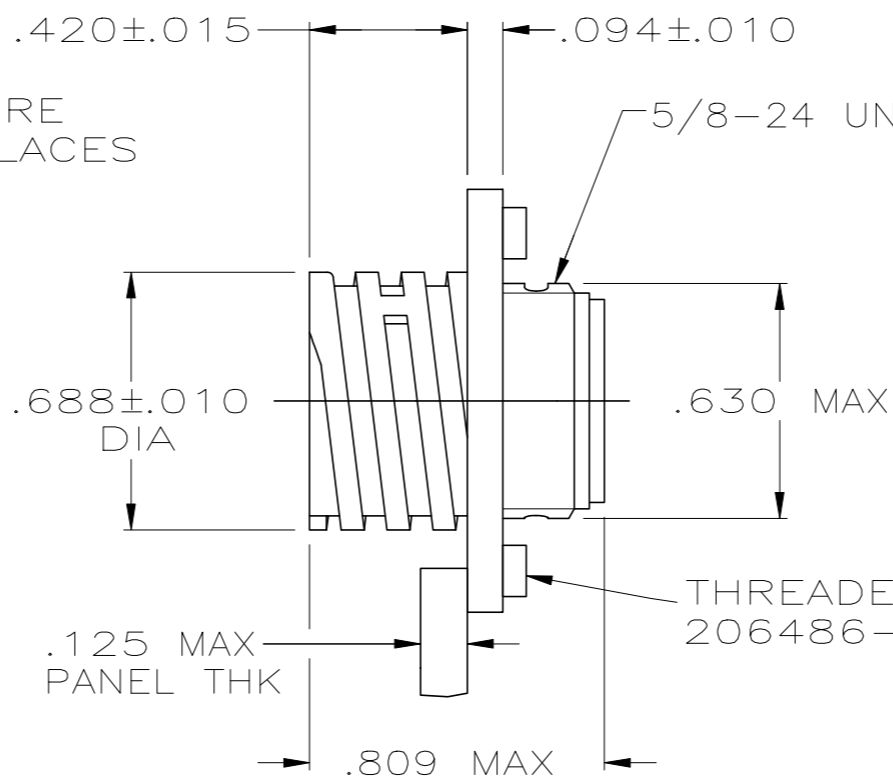
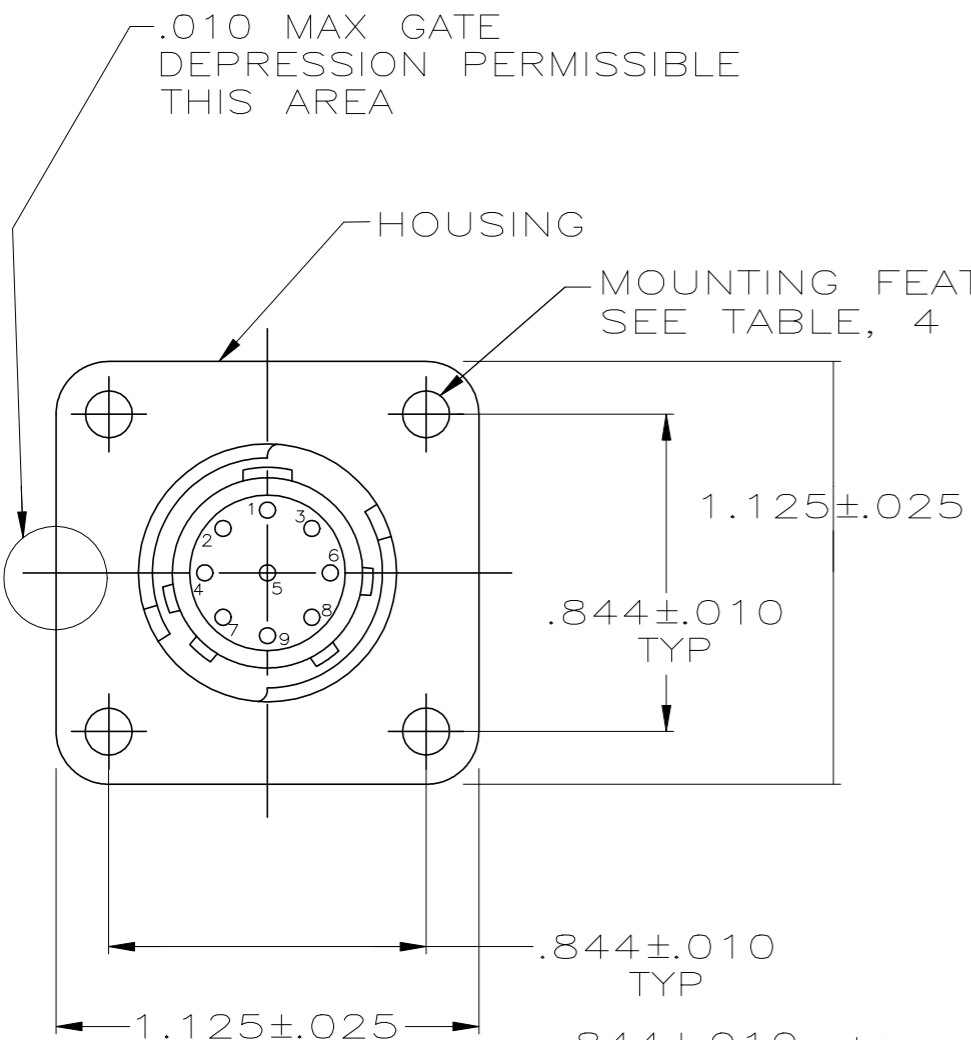
--

© COPYRIGHT - By -

ALL RIGHTS RESERVED.

REVISIONS

| P | LTR | DESCRIPTION | DATE | DWN | APVD |
|---|-----|---------------------------|-----------|-----|------|
| | K1 | REVISED PER ECO-11-004587 | 11MAR11 | RK | HMR |
| | L | REVISED PER ECO-19-014836 | 21OCT2019 | RS | MZ |



PANEL CUTOUT SCALE 1:1

| | |
|------------------------|-------------|
| #4-40 THREADED INSERTS | 206486-6 |
| ∅.125 HOLES | 206486-2 |
| ∅.125 HOLES | 206486-1 |
| MOUNTING FEATURE | PART NUMBER |

1. CONTACT CAVITIES IDENTIFIED BY CHARACTERS ON FRONT AND REAR FACES OF CONNECTOR.

2. WILL ACCEPT (9) SIZE 20 PIN CONTACTS.



MATERIALS:
HOUSINGS: PA 66, BLACK
THREADED INSERT: BRASS

| | | | | |
|--|--|------------------------------|--|---------------|
| THIS DRAWING IS A CONTROLLED DOCUMENT. | | DWN A.STAUB BG 4/1/91 | TE Connectivity | |
| DIMENSIONS: INCHES | | CHK W.G.LENKER 7-27-92 | | |
| TOLERANCES UNLESS OTHERWISE SPECIFIED: | | APVD K.BEAVER 7-27-92 | NAME RECEPTACLE ASSEMBLY, STD SEX, SERIES 2, 11-9, CPC | |
| 0 PLC ± - 1 PLC ± - 2 PLC ± - 3 PLC ± .005 4 PLC ± - ANGLES ± - | | PRODUCT SPEC 108-10024 | | |
| MATERIAL | | FINISH | APPLICATION SPEC | RESTRICTED TO |
| 3 | | - | WEIGHT | - |
| | | | SIZE | A3 |
| | | | CAGE CODE | 00779 |
| | | | DRAWING NO | C=206486 |
| | | | SCALE | 2:1 |
| | | | SHEET | 1 OF 1 |
| | | | REV | L |
| | | | CUSTOMER DRAWING | |

X-ON Electronics

Largest Supplier of Electrical and Electronic Components

Click to view similar products for [Standard Circular Connector](#) category:

Click to view products by [TE Connectivity](#) manufacturer:

Other Similar products are found below :

[5M2530B10P](#) [600259N006](#) [600273N007](#) [6134-336-13149](#) [6134-337-11149](#) [6134-337-2390](#) [6134-341-17149](#) [6280-4SG-516](#) [6280-7SG-3DC](#)
[6290](#) [6291A](#) [66200A-10](#) [680-SMG](#) [681-PMG](#) [CXS3102A14S2P](#) [CXS3102A181S](#) [7271-6SG-300](#) [7282-3PG-300-CH3](#) [75-474014-05S](#) [75-](#)
[474618-01S](#) [75-474618-04P](#) [75-474618-04S](#) [799539-000](#) [MI8-SE](#) [805-005-07NF11-19PC](#) [805-005-07NF15-7PA](#) [8280-4PG-516](#) [8280-7PG-](#)
[519](#) [8282-5PG-519](#) [836783-1](#) [MP-4102-25P-C](#) [862256-1](#) [864019-2](#) [866857-1](#) [867865-1](#) [PT01SP-14-18P](#) [PT08P-14-5S](#) [120-1833-000](#)
[QCM019PC2DC012B](#) [1-2069279-1](#) [121583-0217](#) [121667-0020](#) [129591AU](#) [1000B BULK](#) [RD10A16-19-P6CS051/1](#) [RD10A20-31-](#)
[P8CS051/1](#) [RD16A14-12-S6CS051/2](#) [1301240290](#) [1301240347](#) [1301860202](#) [1301240268](#)