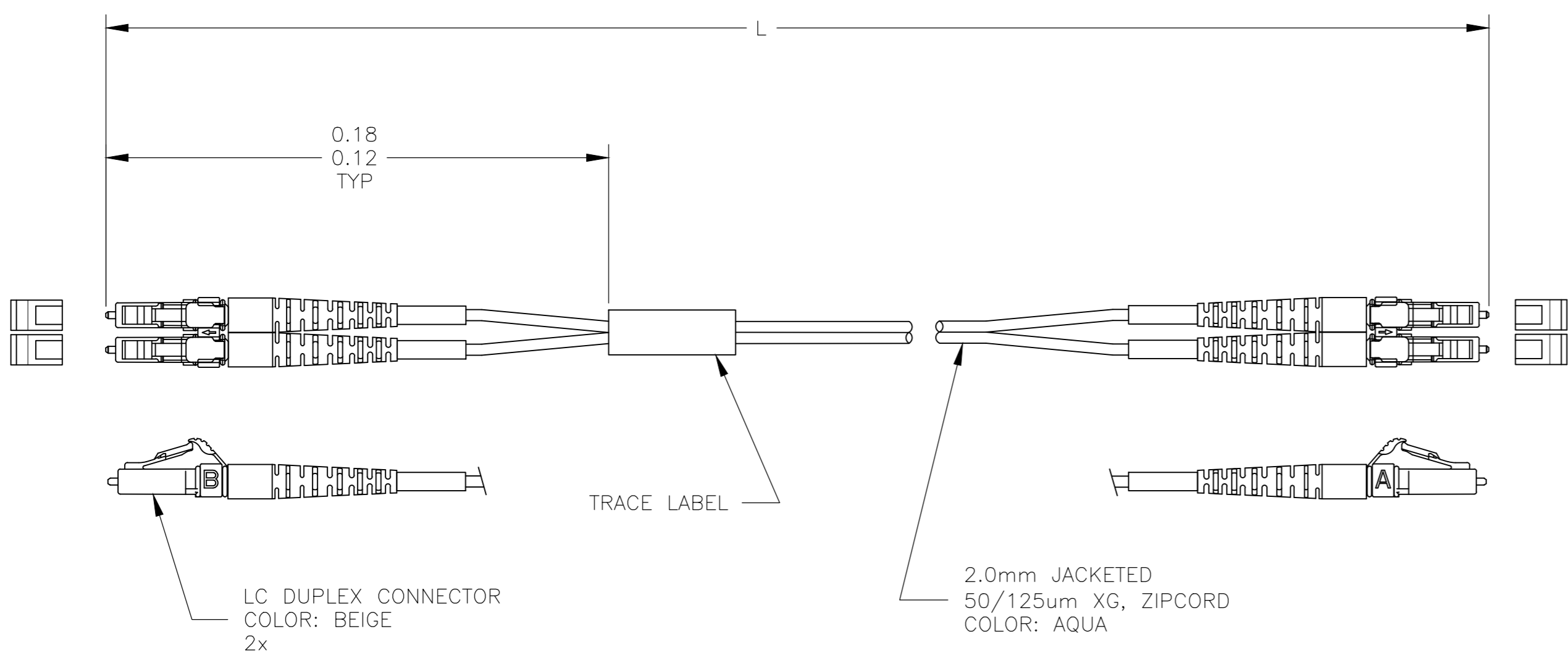


| LOC | DIST | REVISIONS | | | | | |
|-----|------|-----------|-----|-------------------------|---------|-----|------|
| CE | - | P | LTR | DESCRIPTION | DATE | DWN | APVD |
| | | B1 | | ADD 9-1 FOR 0.3M LENGTH | 14AUG15 | SW | RZ |



1. MAXIMUM CONNECTOR INSERTION LOSS IS 0.5dB PLUS CABLE ATTENUATION OF 3.5dB/km AT 850nm. (SEE TABLE)
2. PRODUCT AND PROCESSING MUST MEET REQUIREMENTS OF TEC-138-702.

| INSERTION LOSS (dB) | L METERS [INCHES] | PART NUMBER |
|---------------------|---------------------------|-------------|
| 0.85 | 100.00±1.00 [3937.0±39.0] | 9-2064862-9 |
| 0.50 | 0.30±0.03 [11.8±1.2] | 9-2064862-1 |
| 0.68 | 50.00±0.50 [1969.0±20.0] | 5-2064862-0 |
| 0.64 | 40.00±0.40 [1575.0±16.0] | 4-2064862-0 |
| 0.64 | 39.00±0.39 [1535.4±15.0] | 3-2064862-9 |
| 0.63 | 38.00±0.38 [1496.1±15.0] | 3-2064862-8 |
| 0.63 | 37.00±0.37 [1456.7±15.0] | 3-2064862-7 |
| 0.63 | 36.00±0.36 [1417.3±14.0] | 3-2064862-6 |
| 0.62 | 35.00±0.35 [1377.9±14.0] | 3-2064862-5 |
| 0.62 | 34.00±0.34 [1338.6±13.0] | 3-2064862-4 |
| 0.62 | 33.00±0.33 [1299.2±13.0] | 3-2064862-3 |
| 0.61 | 32.00±0.30 [1259.8±12.0] | 3-2064862-2 |
| 0.61 | 31.00±0.30 [1220.5±12.0] | 3-2064862-1 |
| 0.61 | 30.00±0.30 [1181.0±12.0] | 3-2064862-0 |
| 0.60 | 29.00±0.30 [1141.7±12.0] | 2-2064862-9 |
| 0.60 | 28.00±0.30 [1102.4±12.0] | 2-2064862-8 |
| 0.59 | 27.00±0.30 [1063.0±12.0] | 2-2064862-7 |
| 0.59 | 24.00±0.30 [944.9±12.0] | 2-2064862-6 |
| 0.59 | 25.00±0.30 [984.2±12.0] | 2-2064862-5 |
| 0.58 | 24.00±0.30 [944.9±12.0] | 2-2064862-4 |
| 0.58 | 23.00±0.30 [905.5±12.0] | 2-2064862-3 |
| 0.58 | 22.00±0.30 [866.1±12.0] | 2-2064862-2 |
| 0.57 | 21.00±0.30 [826.8±12.0] | 2-2064862-1 |
| 0.57 | 20.00±0.30 [787.0±12.0] | 2-2064862-0 |
| 0.57 | 19.00±0.30 [748.0±12.0] | 1-2064862-9 |
| 0.56 | 18.00±0.30 [708.7±12.0] | 1-2064862-8 |
| 0.56 | 17.00±0.17 [669.3±7.0] | 1-2064862-7 |
| 0.56 | 16.00±0.16 [629.9±7.0] | 1-2064862-6 |
| 0.55 | 15.00±0.15 [590.6±6.0] | 1-2064862-5 |
| 0.55 | 14.00±0.15 [551.2±6.0] | 1-2064862-4 |
| 0.55 | 13.00±0.15 [511.8±6.0] | 1-2064862-3 |
| 0.54 | 12.00±0.15 [472.4±6.0] | 1-2064862-2 |
| 0.54 | 11.00±0.15 [433.1±6.0] | 1-2064862-1 |
| 0.54 | 10.00±0.15 [394±6.0] | 1-2064862-0 |
| 0.53 | 9.00±0.15 [354.6±6.0] | 2064862-9 |
| 0.53 | 8.00±0.15 [315.0±6.0] | 2064862-8 |
| 0.52 | 7.00±0.08 [275.6±3.0] | 2064862-7 |
| 0.52 | 6.00±0.08 [236.2±3.0] | 2064862-6 |
| 0.52 | 5.00±0.08 [196.9±3.0] | 2064862-5 |
| 0.51 | 4.00±0.08 [157.5±3.0] | 2064862-4 |
| 0.51 | 3.00±0.05 [118.1±2.0] | 2064862-3 |
| 0.51 | 2.00±0.05 [78.7±2.0] | 2064862-2 |
| 0.50 | 1.00±0.05 [39.4±2.0] | 2064862-1 |

THIS DRAWING IS A CONTROLLED DOCUMENT.

DWN: B.BRIGGS 12MAY2010
 CHK: J.DUNCAN 08JUN2010
 APVD: J.DUNCAN 08JUN2010

TE TE Connectivity

NAME: J.DUNCAN
 PRODUCT SPEC: -
 APPLICATION SPEC: -
 WEIGHT: -

DIMENSIONS: METERS [INCHES]
 TOLERANCES UNLESS OTHERWISE SPECIFIED:
 0 PLC ± -
 1 PLC ± -
 2 PLC ± -
 3 PLC ± -
 4 PLC ± -
 ANGLES ± -
 FINISH -

CABLE ASSEMBLY, FIBER OPTIC, 2.0mm OFNR, OM3, LC DUPLEX TO LC DUPLEX

SIZE: A2 CAGE CODE: 00779 DRAWING NO: 2064862 RESTRICTED TO: -

CUSTOMER DRAWING SCALE: NTS SHEET: 1 OF 1 REV: B1

X-ON Electronics

Largest Supplier of Electrical and Electronic Components

Click to view similar products for [Fiber Optic Cable Assemblies](#) category:

Click to view products by [TE Connectivity](#) manufacturer:

Other Similar products are found below :

[7-21002-9](#) [760-1518](#) [FA04390-50-M-72-LC-N](#) [MLB 501 V RED](#) [MLB 501 V YELLOW](#) [8-21000-7](#) [FXE3-10BM15](#) [FXE3-10FM5](#) [FZB3-NM1](#) [1-3636-600-5208](#) [ICD040GVP163D-07](#) [2901797](#) [1-6693182-0](#) [1754898-1](#) [F512D5-5F23Y](#) [F912B10-NM2](#) [FAP12WFDBDBDLCZ](#) [21055-6](#) [FXBSCSCE2LM002](#) [FXE3-10AM10](#) [FXE3-10AM20](#) [FXE3-10BM7](#) [FXE3-10FM15](#) [FXE3-10FM3](#) [FXE3-10FM4](#) [FXE3-10FM7](#) [FXE3-10GM3](#) [FZE10-10M6](#) [FZOPE10-10M5](#) [3000005](#) [3-21053-2](#) [MLB 200/1 V BLACK](#) [MLB 2001 V YELLOW](#) [MLB 501 V BLACK](#) [5492011-6](#) [106284-7000](#) [5492011-5](#) [5492011-8](#) [5492011-9](#) [CF-901201-007](#) [7-21000-4](#) [8-21007-5](#) [8-21084-0](#) [3-5106081-0](#) [106386-4447](#) [2-2064140-6](#) [F92ELLNSNSNM003](#) [2-2064140-3](#) [6-2064140-3](#) [2-2064140-2](#)