

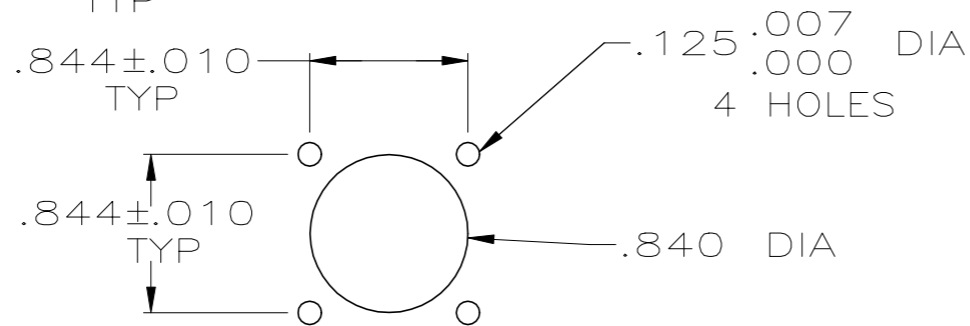
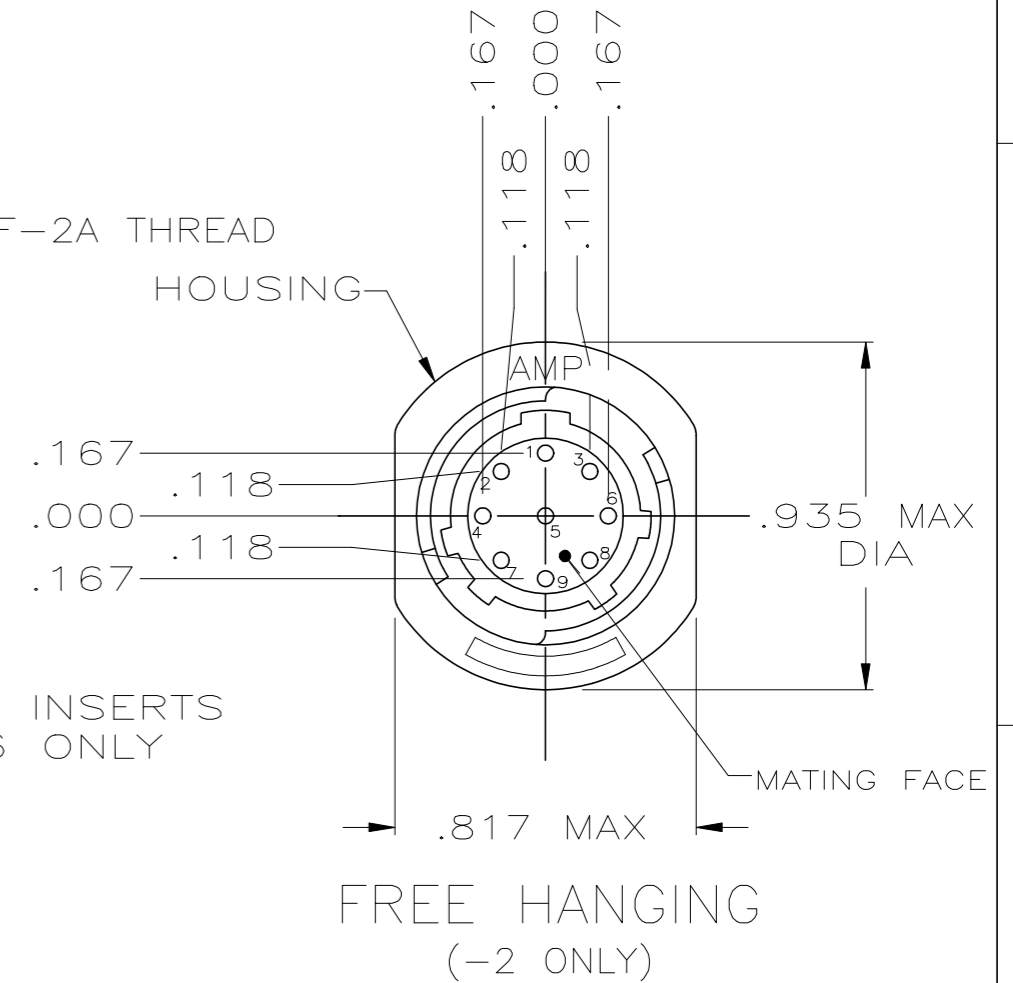
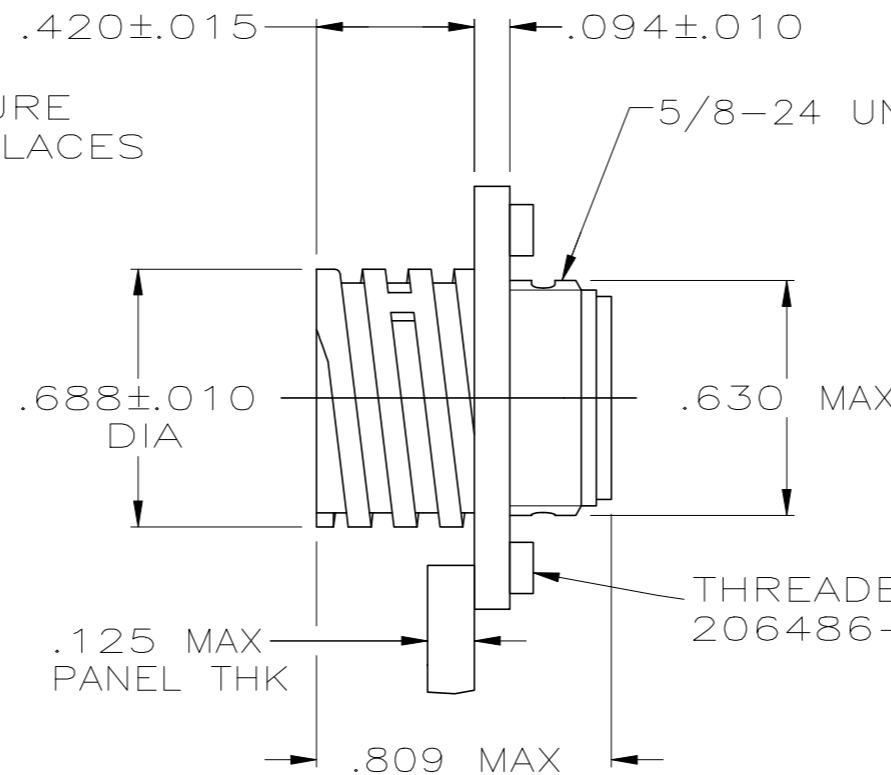
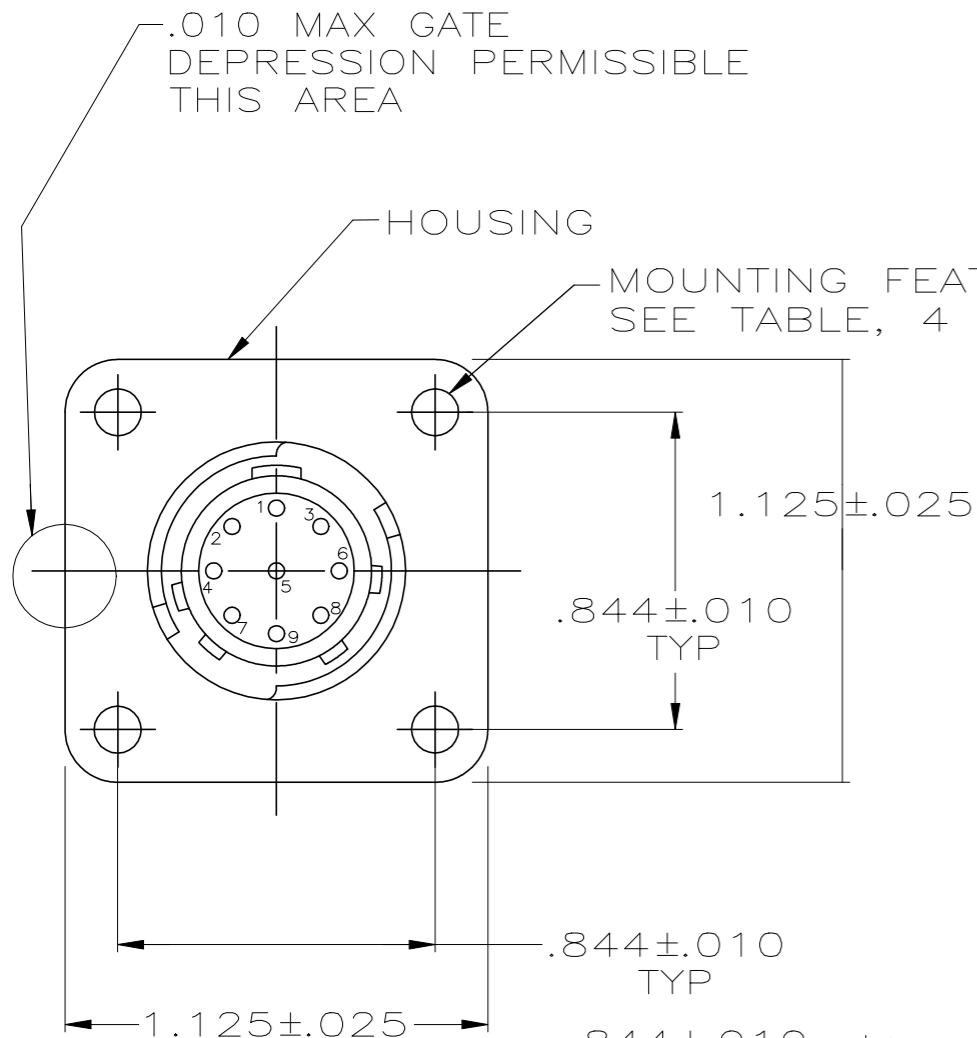
THIS DRAWING IS UNPUBLISHED.

RELEASED FOR PUBLICATION

REVISIONS

© COPYRIGHT - By - ALL RIGHTS RESERVED.

P	LTR	DESCRIPTION	DATE	DWN	APVD
	K1	REVISED PER ECO-11-004587	11MAR11	RK	HMR
	L	REVISED PER ECO-19-014836	21OCT2019	RS	MZ



PANEL CUTOUT SCALE 1:1

#4-40 THREADED INSERTS	206486-6
∅.125 HOLES	206486-2
∅.125 HOLES	206486-1
MOUNTING FEATURE	PART NUMBER

1. CONTACT CAVITIES IDENTIFIED BY CHARACTERS ON FRONT AND REAR FACES OF CONNECTOR.

2. WILL ACCEPT (9) SIZE 20 PIN CONTACTS.

3 MATERIALS:
 HOUSINGS: PA 66, BLACK
 THREADED INSERT: BRASS

THIS DRAWING IS A CONTROLLED DOCUMENT.		DWN A.STAUB BG 4/1/91	STE TE Connectivity		
DIMENSIONS: INCHES		CHK W.G.LENKER 7-27-92			
TOLERANCES UNLESS OTHERWISE SPECIFIED:		APVD K.BEAVER 7-27-92	NAME RECEPTACLE ASSEMBLY, STD SEX, SERIES 2, 11-9, CPC		
0 PLC ± -		PRODUCT SPEC 108-10024	SIZE A3	CAGE CODE 00779	DRAWING NO C=206486
1 PLC ± -		APPLICATION SPEC -	RESTRICTED TO -		
2 PLC ± -		WEIGHT -	SCALE 2:1		
3 PLC ± .005		CUSTOMER DRAWING	SHEET 1 OF 1		
4 PLC ± -			REV L		
ANGLES ± -					
FINISH -					

X-ON Electronics

Largest Supplier of Electrical and Electronic Components

Click to view similar products for [Standard Circular Connector](#) category:

Click to view products by [TE Connectivity](#) manufacturer:

Other Similar products are found below :

[5M2530B10P](#) [600259N006](#) [600273N007](#) [6134-336-13149](#) [6134-337-11149](#) [6134-337-2390](#) [6134-341-17149](#) [6280-4SG-516](#) [6280-7SG-3DC](#)
[6290](#) [6291A](#) [66200A-10](#) [680-SMG](#) [681-PMG](#) [CXS3102A14S2P](#) [CXS3102A181S](#) [7251-5SG-300](#) [7271-6SG-300](#) [7282-3PG-300-CH3](#) [75-](#)
[474618-01S](#) [75-474618-04P](#) [75-474618-04S](#) [799539-000](#) [MI8-SE](#) [805-005-07NF11-19PC](#) [805-005-07NF15-7PA](#) [8280-4PG-516](#) [8280-7PG-](#)
[519](#) [8282-5PG-519](#) [836783-1](#) [MP-4102-25P-C](#) [862256-1](#) [864019-2](#) [866857-1](#) [867865-1](#) [PT01SP-14-18P](#) [PT08P-14-5S](#) [PTSF06SE-14-12S](#)
[120-1833-000](#) [QCM019PC2DC012B](#) [1-2069279-1](#) [121583-0217](#) [121667-0020](#) [129591AU](#) [1000B BULK](#) [RD10A16-19-P6CS051/1](#)
[RD10A20-31-P8CS051/1](#) [RD16A14-12-S6CS051/2](#) [1301240290](#) [1301240347](#) [1301860202](#)