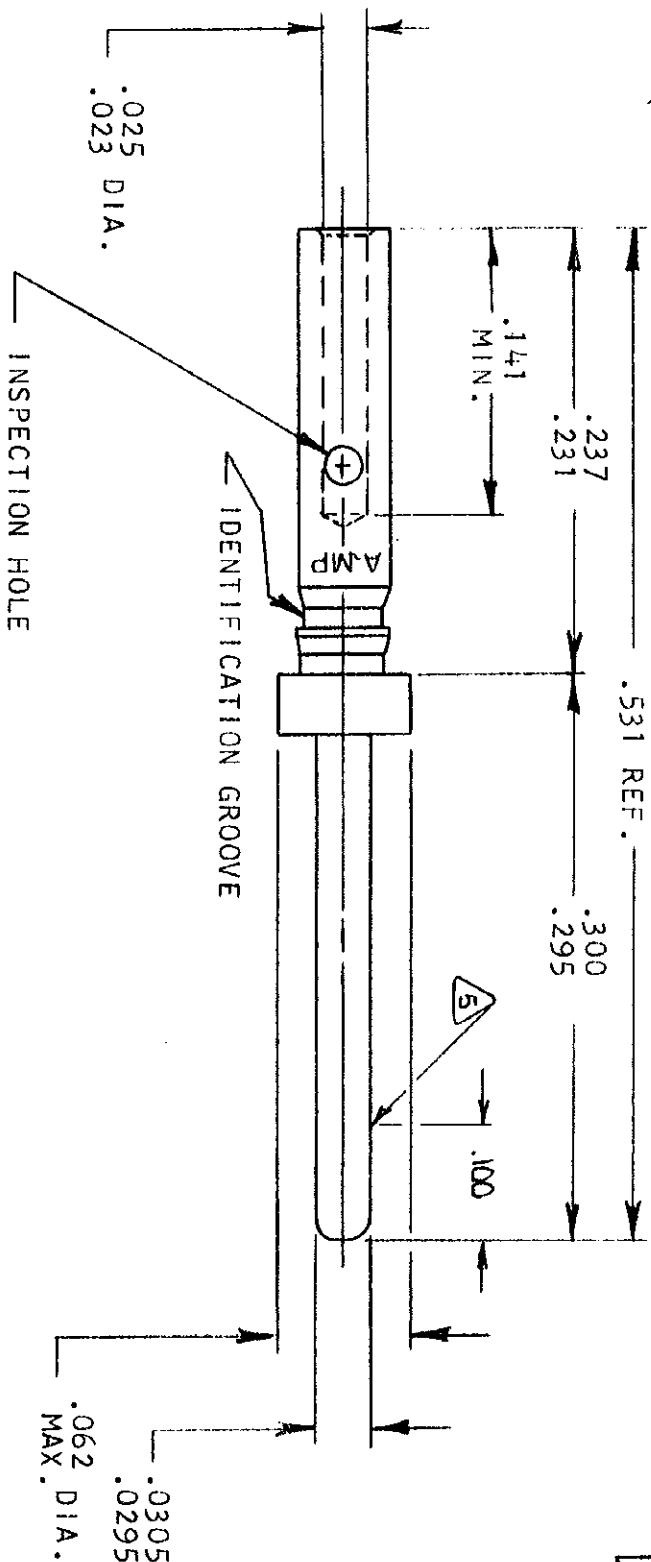


© 1973 BY AMP INCORPORATED. ALL RIGHTS RESERVED. AMP PRODUCTS COVERED BY PATENTS AND/OR PATENTS PENDING.

Unpublished copy not to be reproduced without written permission of AMP Incorporated.



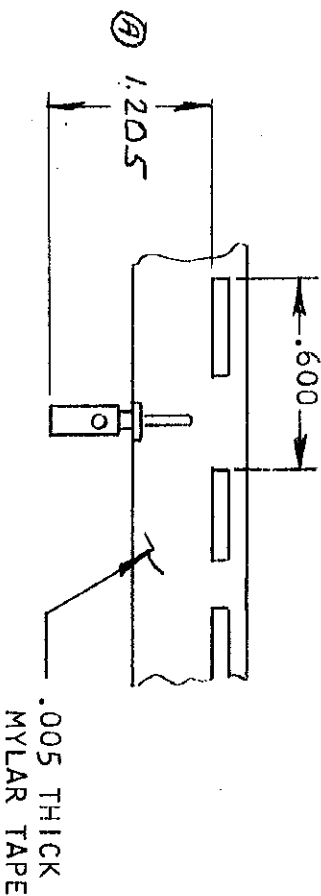
- 206495 - 3 1. AS SHOWN.
 2. PLATING : GOLD PER MIL-G-45204 OVER COPPER
- 206495 - 4 1. SAME AS - 3 EXCEPT:
 2. CONTACTS ON TAPE.

REVISIONS				
ZONE	LTR	DESCRIPTION	DATE	APPROVED
0		RELEASED WAS 5064-45 NO.	10/5/73	gms
A		REV PER ECN C-669	8/5/73	gms
B		CHANGED MAT'L ECN E779	11/28/76	gms
L		REV PER ECN J-985	1-28-83	gms

1. WIRE BARREL WILL ACCEPT # 26-28 AWG WIRE.
2. CRIMPING TOOL - USE MS 3198-1 WITH APPLICABLE POSITIONER.
3. CONTACT CONFORMS TO MIL-C-24308, SIZE 22 EXCEPT WIRE BARREL.
4. INSERTION / EXTRACTION TOOL - AMP P/N 91054-1
5. POINT OF PLATING THICKNESS MEASUREMENT.

WHEN ORDERING CONTACT ON TAPE, ORDER BY THE TAPE NUMBER PLUS THE PACKAGING CODE AS FOLLOWS:

1. FOR USE WITH AMP TAPETRONIC, PNEUMATIC TOOL -
 - A. 1000 PARTS TO A BOX ADD PACKAGING CODE: 1MBOX
2. FOR USE WITH 4/8 INDENT STRIPPER CRIMPER -
 - A. 1000 PARTS TO A REEL ADD PACKAGING CODE: 1MREEL
 - B. 5000 PARTS TO A REEL ADD PACKAGING CODE: 5MREEL



UNLESS OTHERWISE SPECIFIED DIMENSIONS ARE IN INCHES TOLERANCES ON: DECIMALS ± .001 ANGLES ± .1°

COPPER ALLOY PER QQ-C-530

CONTRACT NO. DR. 10/5/73
 APD 10/12/73
 D. Boar 10-18-73
 10-19-73

AMP AMP INCORPORATED HARRISBURG, PENNSYLVANIA
 NAME CONTACT, PIN SIZE 22D
 SIZE CODE IDENT. NO. NUMBER
 B 00779 206495
 SCALE 10:1 SHEET 1 OF 1

X-ON Electronics

Largest Supplier of Electrical and Electronic Components

Click to view similar products for [D-Sub Contacts](#) category:

Click to view products by [TE Connectivity](#) manufacturer:

Other Similar products are found below :

[173112-0723](#) [173112-0393](#) [173112-0389](#) [173112-0750](#) [173112-0912](#) [D02-22-22P-10000](#) [D02-22-26S-10000](#) [FMP009P104](#) [FMP010P104](#)
[FMP010S104](#) [FMP016P104](#) [FMP051S110](#) [FMX006S128B](#) [131A11039X](#) [131J21029X](#) [132J22039X](#) [132A11029X](#) [132A11049X](#)
[132C12029X](#) [RMPIR01S02E2RLF](#) [DM53744-1](#) [1757912-1](#) [188582-000](#) [162A11839X](#) [162A11889X](#) [1757913-1](#) [FMP006S110](#)
[FMP008P104](#) [FMP009S104](#) [FMP139S115](#) [212558-1](#) [D02-22-26P-10000](#) [L17DM53744217](#) [030-1955-000](#) [030-50634](#) [053744-0098](#)
[601064N004](#) [601098N003](#) [6-745288-2](#) [D-610-10CS2962](#) [86303057NLF](#) [DM537425001NCLF](#) [173112-0045](#) [162A11819X](#) [1731120397](#) [40-9854MP](#) [1-208778-5](#) [1-745288-3](#) [173112-0455](#) [121A05329A](#)