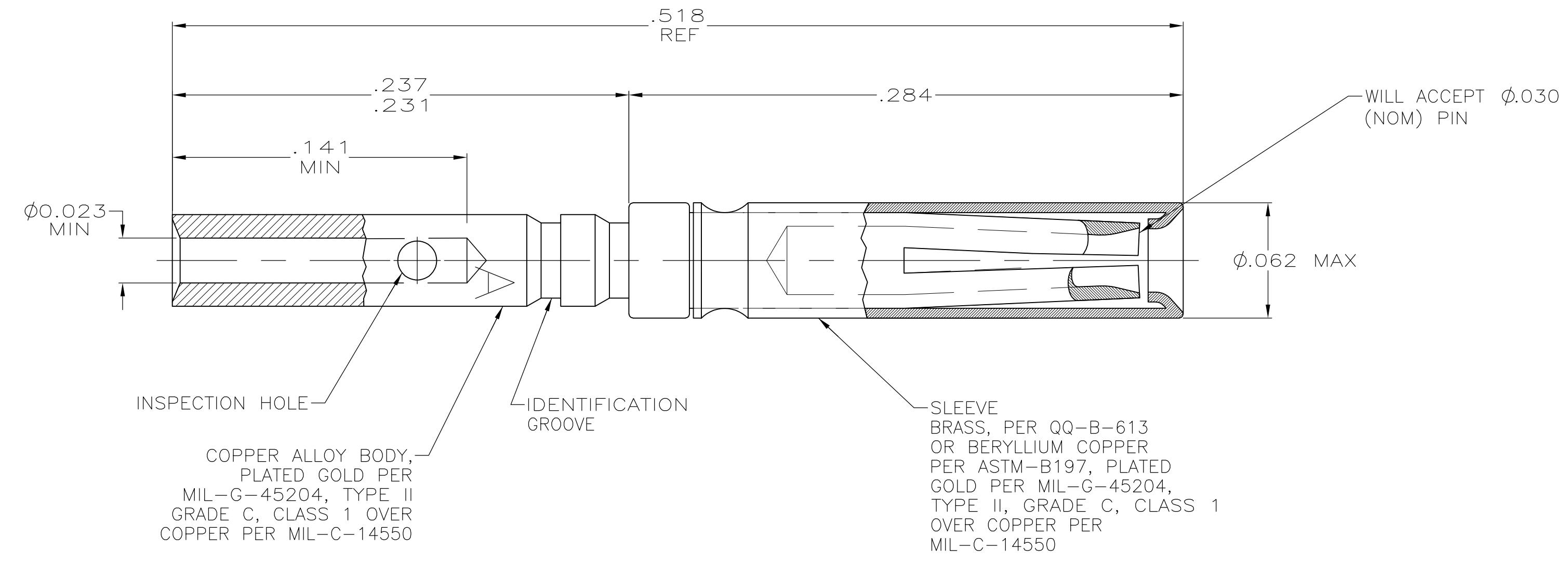
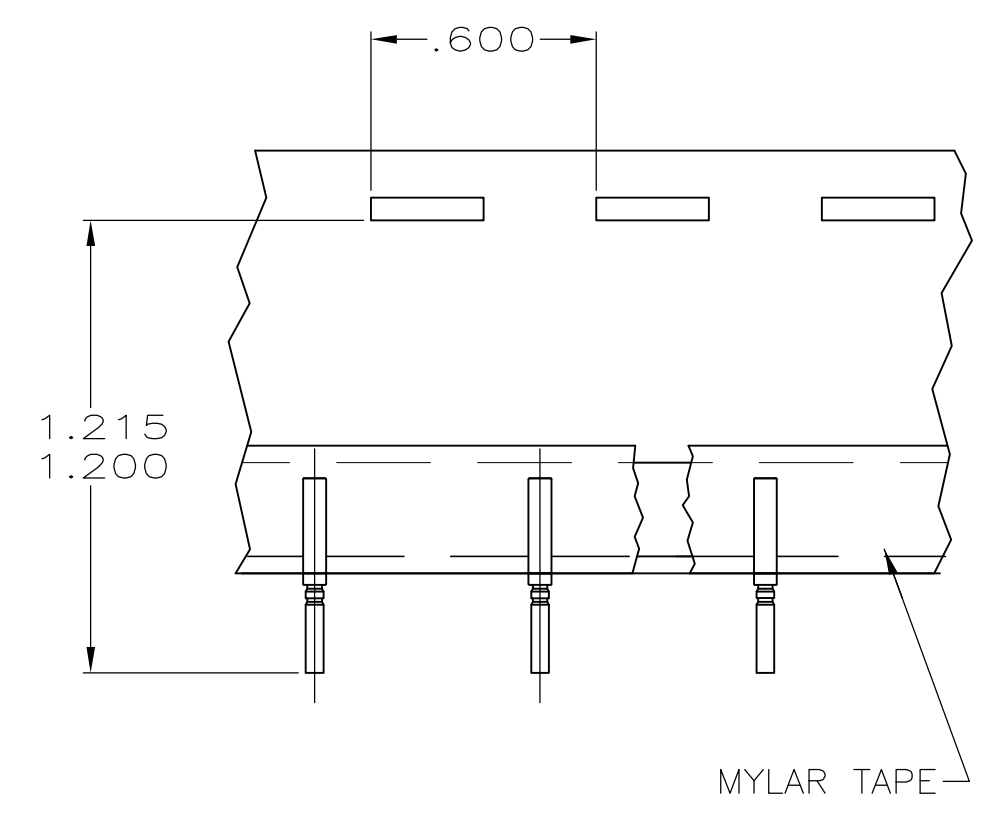


REVISIONS				
P	LTR	DESCRIPTION	DATE	OWN
G		REV PER ECO 17-007893	6-5-17	CT DM



PRESS FIT HOOD CONFIGURATION



TAPE MOUNTED -2 ONLY

1. WIRE BARREL WILL ACCEPT #26 - 28 AWG WIRE.
- △ CRIMPING TOOL - USE HANDTOOL M22520/2-01 (AMP P/N 601996-1) WITH POSITIONER M22520/2-06 (AMP P/N 601966-4) SEE AMP INSTRUCTION SHEET, IS7516, FOR CRIMPING INSTRUCTIONS.
3. CONTACT CONFORMS TO MIL-C-24308/57-354, EXCEPT NO COLOR CODE AND INSIDE DIAMETER ON CRIMP BARREL IS SMALLER TO ACCEPT #26 - 28 AWG WIRE.
4. INSERTION/EXTRACTION TOOL AMP P/N 91067-1.
- △ USE AMP - TAPEMATIC STRIPPER/CRIMPER MACHINE NUMBER 299406-7 WITH FUNNEL NUMBER 125905-2.
6. SLEEVE MAY BE CRIMPED OR DIMPLED ONTO CONTACT BODY.
- △ RESTRICTED TO SPACE SYSTEMS LORAL.

REMARKS	DESCRIPTION	PART NO.
△ 7	AS SHOWN	206496-4
△ 5	AS SHOWN EXCEPT EVCEPT ON TAPE	206496-2
△ 2	AS SHOWN	206496-1

THIS DRAWING IS A CONTROLLED DOCUMENT. DWG: T. THOMPSON 06-03-94
 CHK: F. KINSEY
 APVD: F. KINSEY
 PRODUCT SPEC: -
 APPLICATION SPEC: -
 MATERIAL: SEE CALLOUT FINISH: -
 WEIGHT: 0.000000
 CUSTOMER DRAWING

STE TE Connectivity
 NAME: CONTACT ASSEMBLY, SOCKET, SIZE 22D
 SIZE: A1 CAGE CODE: 00779 DRAWING NO: 206496
 RESTRICTED TO: -
 SCALE: 20:1 SHEET: 1 OF 1 REV: G

X-ON Electronics

Largest Supplier of Electrical and Electronic Components

Click to view similar products for [D-Sub Contacts](#) category:

Click to view products by [TE Connectivity](#) manufacturer:

Other Similar products are found below :

[173112-0723](#) [173112-0393](#) [173112-0389](#) [173112-0750](#) [173112-0912](#) [D02-22-22P-10000](#) [D02-22-26S-10000](#) [FMP009P104](#) [FMP010P104](#)
[FMP010S104](#) [FMP016P104](#) [FMP051S110](#) [FMX006S128B](#) [131A11039X](#) [131J21029X](#) [132J22039X](#) [132A11029X](#) [132A11049X](#)
[132C12029X](#) [RMPIR01S02E2RLF](#) [DM53744-1](#) [1757912-1](#) [188582-000](#) [162A11839X](#) [162A11889X](#) [1757913-1](#) [FMP006S110](#)
[FMP008P104](#) [FMP009S104](#) [FMP139S115](#) [212558-1](#) [D02-22-26P-10000](#) [L17DM53744217](#) [030-1955-000](#) [030-50634](#) [053744-0098](#)
[601064N004](#) [601098N003](#) [6-745288-2](#) [D-610-10CS2962](#) [86303057NLF](#) [DM537425001NCLF](#) [173112-0045](#) [162A11819X](#) [1731120397](#) [40-](#)
[9854MP](#) [1-208778-5](#) [1-745288-3](#) [173112-0455](#) [121A05329A](#)