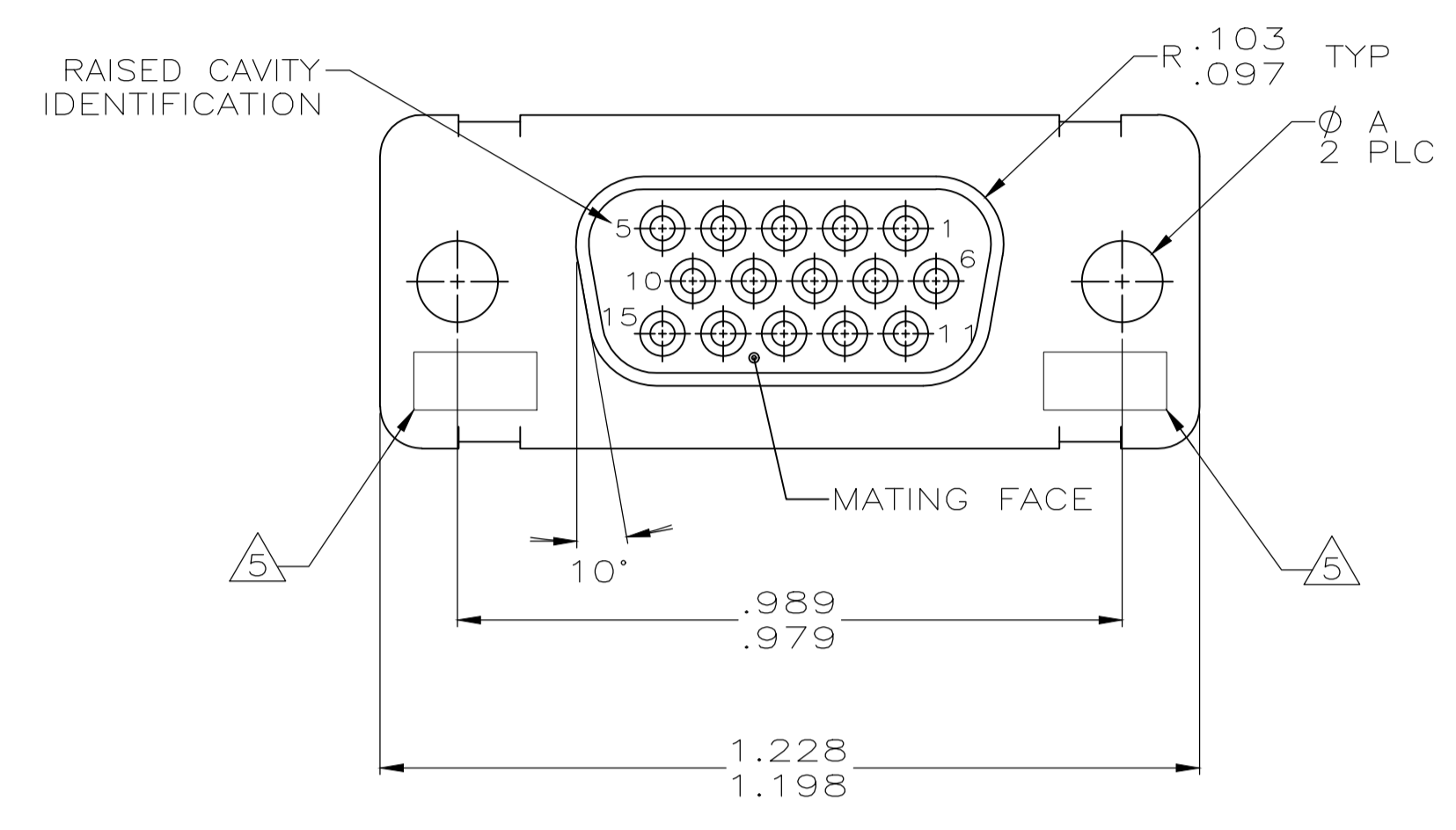
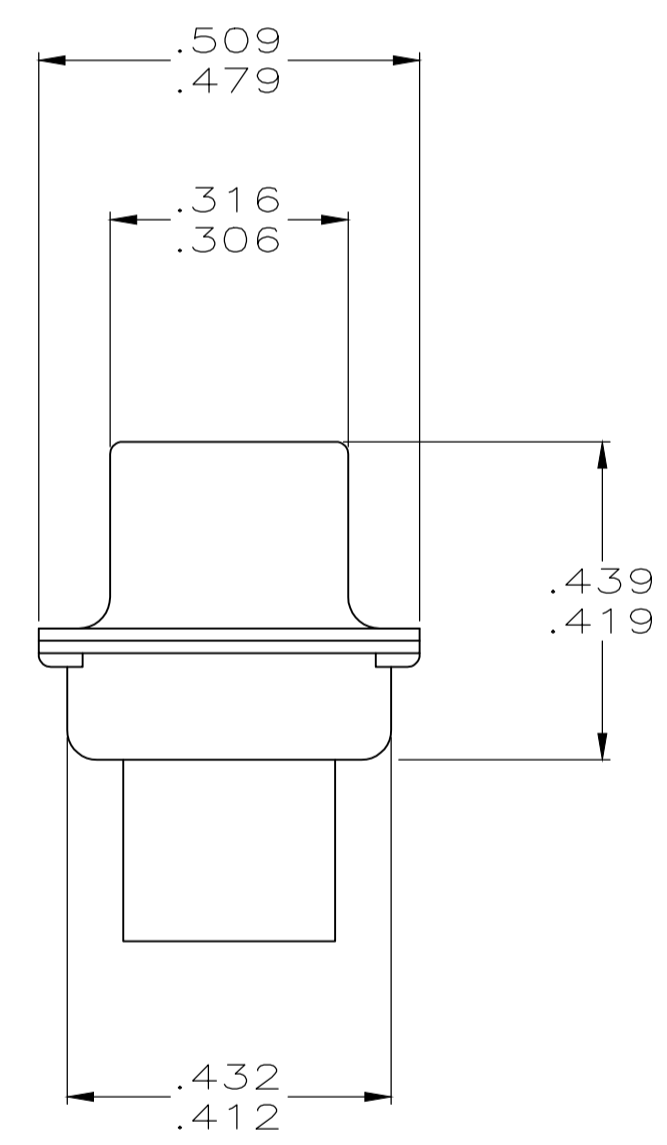
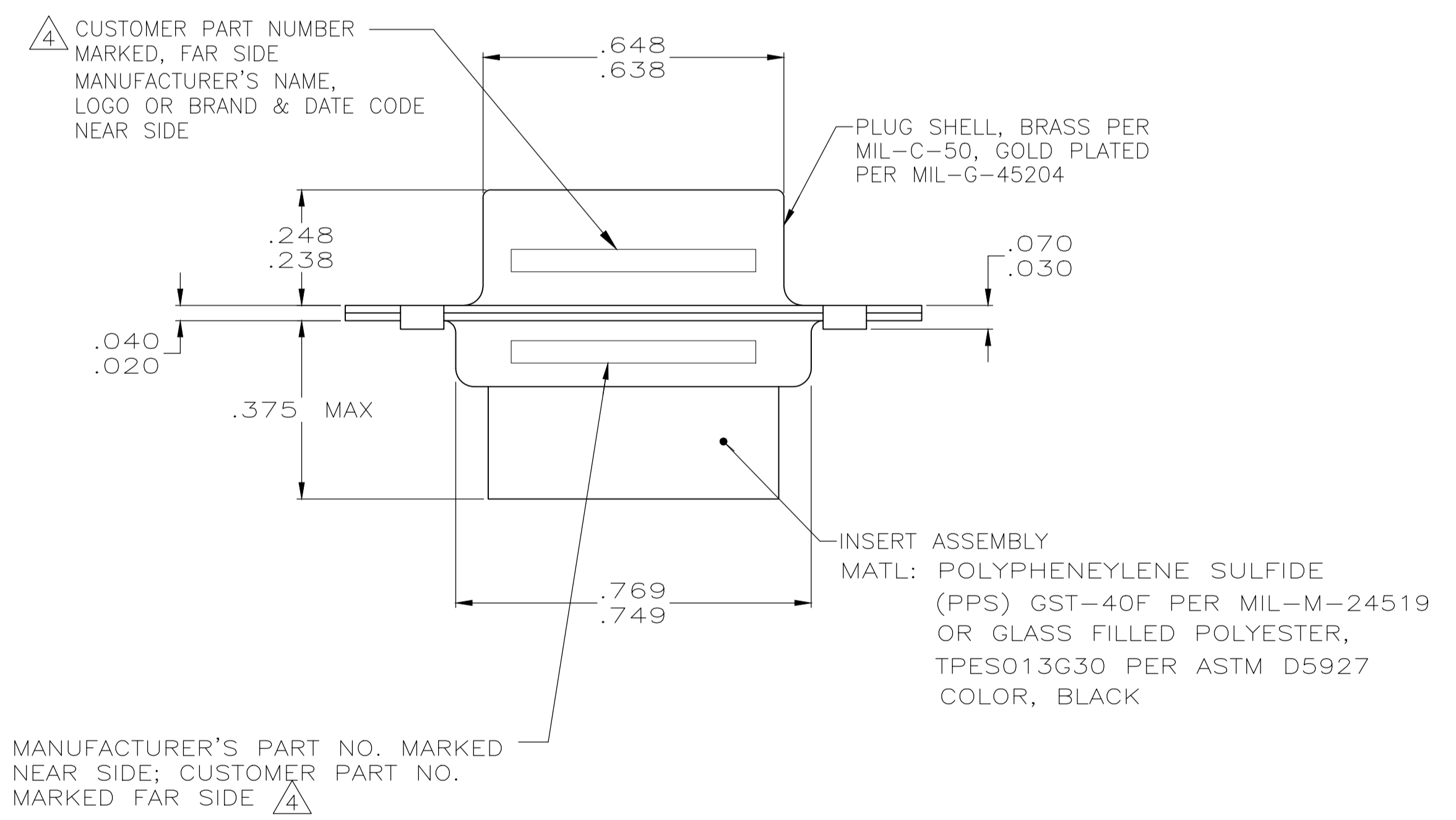


REVISIONS					
P	LTR	DESCRIPTION	DATE	DMN	APVD
AB	REV PER ECO	20-005104	5-28-20	CT	DM



- THIS RECEPTACLE WILL MATE WITH ANY PLUG CONNECTOR WITH THE SAME INSERT ARRANGEMENT AS DEFINED BY MS18273-2.
  - MAXIMUM WIRE INSULATION TO BE USED WITH THIS RECEPTACLE IS .054 DIA.
  - BE. CU. RETENTION CLIPS ARE INCLUDED IN INSERTS.
- △ CUSTOMER PART NUMBER MAY BE SPLIT BETWEEN FRONT AND REAR SHELL, SAME SIDE.
  - △ UL/CSA DESIGNATION STAMPED IN THIS AREA, OPTIONAL.
  - △ INSPECTION REQUIREMENTS PER R4383.
  - △ CONNECTOR SUPPLIED WITH 17 CONTACTS, AMP PART NUMBER 206071-1. INSPECTION REQUIREMENTS PER R4383.
  - △ CONNECTOR SUPPLIED WITH 25 CONTACTS, AMP PART NUMBER 206071-1. INSPECTION REQUIREMENTS PER R4383.
  - △ THESE CONNECTORS ARE QUALIFIED TO GODDARD SPACE FLIGHT CENTER SPECIFICATIONS S-311-P-4.
  - △ 10 RESTRICTED TO CAE ELECTRONICS ONLY.



AMP P/N 206071-1  
GSFC P/N G-08-S1  
(SUPPLIED WITH 206499-6 AND 206499-7 ONLY)

Ø A	REMARKS	CUSTOMER P/N	MARKED AMP P/N	PART NO
.120		570566-1	1-206499-0	1-206499-0
.154	△ 10 △ 9	311P407-1S-B-15	206499-1	206499-9
.120	△ 10 △ 9	311P407-1S-B-12	206499-4	206499-8
.120	△ 8	20025720P1015S	206499-7	206499-7
.120	△ 7 △ 8	R4383 P15S	206499-6	206499-6
.120	△ 6	R4383 P15S-2	206499-5	206499-5
.120	△ 9	311P407-1S-B-12	206499-4	206499-4
.154		----	206499-3	206499-3
.120		R9259P15S	206499-2	206499-2
.154	△ 9	311P407-1S-B-15	206499-1	206499-1

THIS DRAWING IS A CONTROLLED DOCUMENT. DIMENSIONING AND TOLERANCING PER ASME Y14.5M (ISO STANDARDS). TOLERANCES UNLESS OTHERWISE SPECIFIED:

DIMENSIONS: INCHES	0 PLC ± .005	1 PLC ± .005	2 PLC ± .005	3 PLC ± .005	4 PLC ± .005	ANGLES ± .005
--------------------	--------------	--------------	--------------	--------------	--------------	---------------

MATERIAL: SEE CALLOUTS FINISH: SEE CALLOUTS WEIGHT: 0.000000

APPROVED: D. MILLER DATE: 05OCT06

RECEPTACLE FOR SOCKET CONTACTS HIGH DENSITY D, 15 POSN, SIZE 1 NONMAGNETIC

SIZE: A1 CAGE CODE: 00779 DRAWING NO: 206499

CUSTOMER DRAWING SCALE: 4:1 SHEET: 1 OF 1 REV: AB

## X-ON Electronics

Largest Supplier of Electrical and Electronic Components

*Click to view similar products for [D-Sub MIL Spec Connectors](#) category:*

*Click to view products by [TE Connectivity](#) manufacturer:*

Other Similar products are found below :

[M85049/50-5F](#) [D38999/24WG11PB-LC](#) [MDM-9SH006A](#) [1218697-4](#) [D38999/26WJ61PC L/C](#) [1484349-1](#) [17D25HV](#) [1996840-1](#) [243082-15](#)  
[1757682-1](#) [17D-E51218-1](#) [17SDA15S](#) [1883533-1](#) [1883886-1](#) [1883889-1](#) [192900-0377](#) [M24308/8-347](#) [M83513/03-E09C](#) [443961-3](#) [5-](#)  
[1218949-1](#) [550-031NF1R6K](#) [3-1236089-2](#) [550E001NF1R3J0L](#) [550T001NF1R6K0L](#) [557T283NF5B08](#) [DB121073-56](#) [DC121073157](#)  
[443869-3](#) [443869-4](#) [443869-5](#) [550S004NF1R1B0F03](#) [557E283NF1A06](#) [527-019NF0303R2K1F](#) [5-446405-1](#) [550-031NF1R2E](#)  
[550E003M2R9J0F04](#) [550E003M3R9J0F05](#) [550E024M104R9J0](#) [550E024NF102R3J0B](#) [550E039NF1R3J1-02](#) [550S003M3R9B0F05](#)  
[550S004M4R7M0F04](#) [550S004NF1R1B1F02](#) [550S008M3F0K0F04](#) [550S086M5R3J0L](#) [550S100NF3F0E](#) [550T001M2R7E0L](#)  
[550T001NF1F0B1L](#) [550T001NF1R1K0G](#) [550T001NF1R3K0G](#)