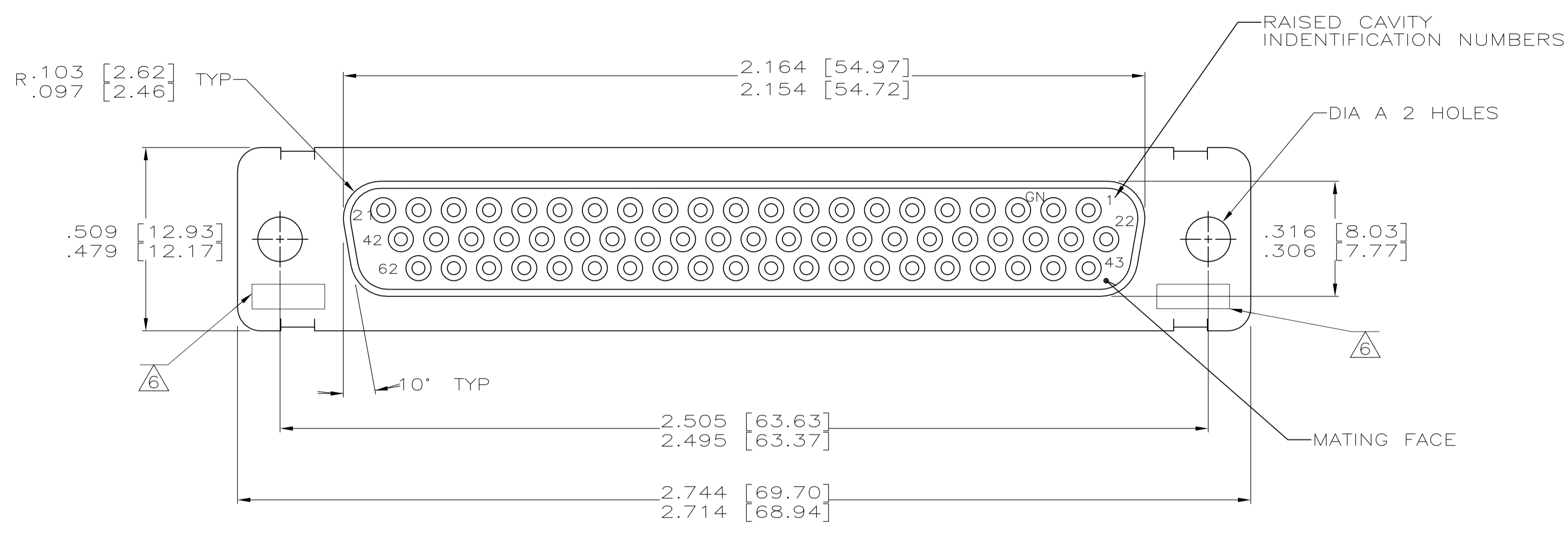
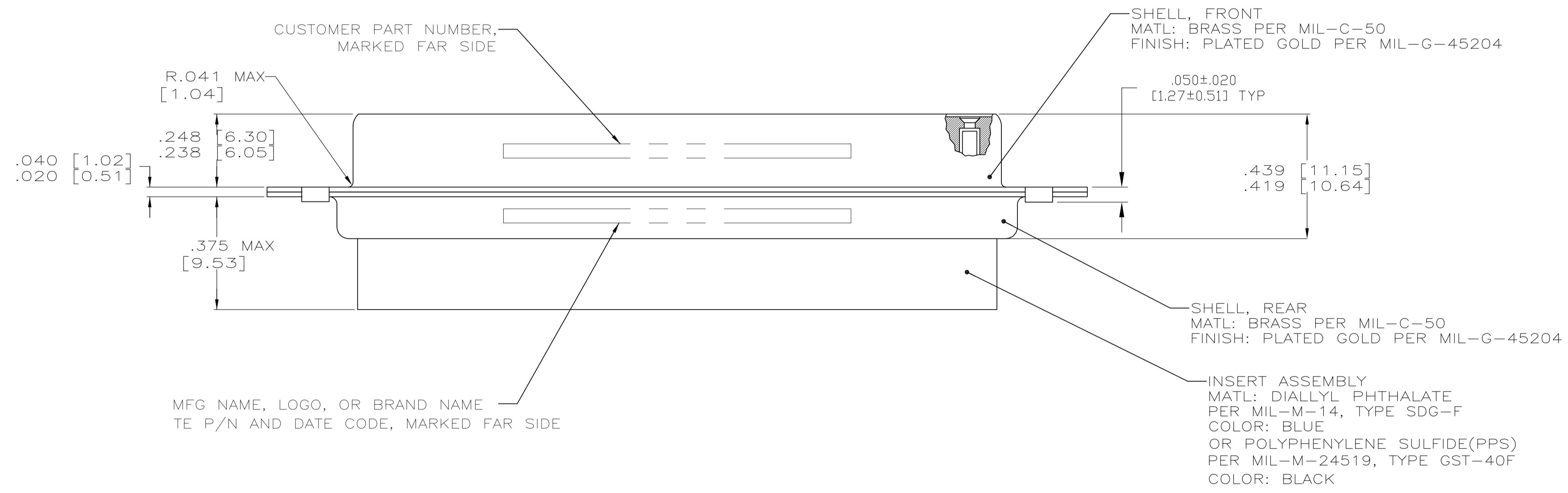


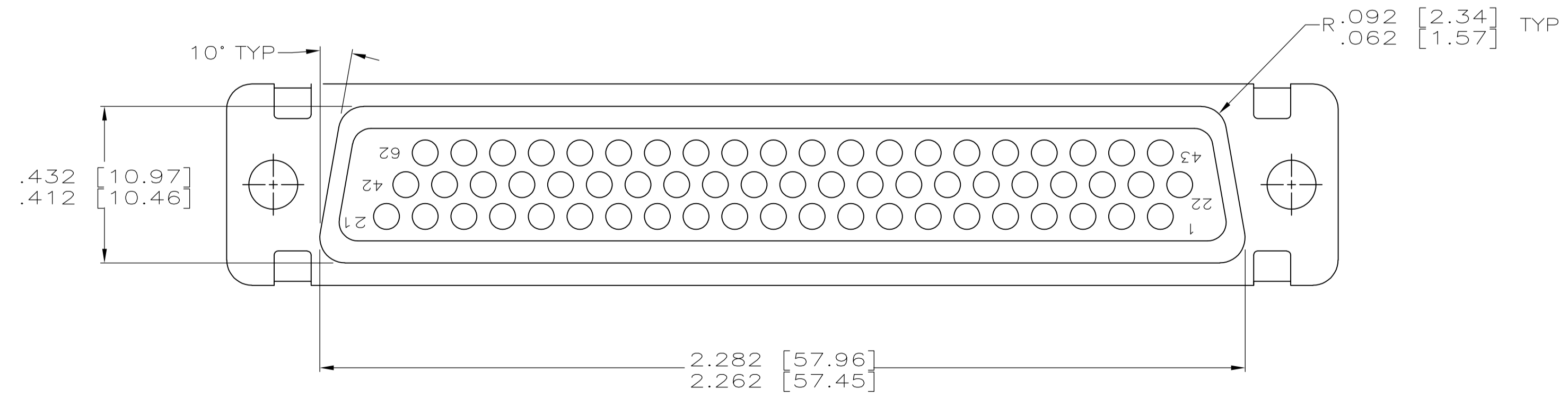
LOC		DIST		REVISIONS			
P	LTR	DESCRIPTION	DATE	DN	APVD		
AA	REV PER ECO	15-016064	11-9-15	CT	CD		



1. THIS RECEPTACLE WILL MATE WITH ANY PLUG CONNECTOR WITH SAME INSERT ARRANGEMENT AS DEFINED BY MS18276-2.
2. MAXIMUM WIRE INSULATION USED WITH THIS RCPT. IS .054 DIA.
3. Be-Cu RETENTION CLIPS ARE INCLUDED IN INSERTS.
4. INSPECTION REQUIREMENTS PER R4383.
5. CONNECTOR SUPPLIED WITH 69 CONTACTS, AMP PART NUMBER 206071-1. INSPECTION REQUIREMENTS PER R4383 WITHOUT TESTS FOR HIGH ALTITUDE DIELECTRIC WITHSTANDING VOLTAGE AS CALLED FOR IN TABLE II SCREENING AND TESTING.
6. UL/CSA DESIGNATION STAMPED IN THIS AREA, OPTIONAL
7. SPECIAL TESTING PER GE DOCUMENT 20025720. CONNECTOR SUPPLIED WITH 72 CONTACTS, AMP P/N 206071-1.
8. RESTRICTED TO CAE ELECTRONICS ONLY.
9. THESE CONNECTORS ARE QUALIFIED TO GODDARD SPACE FLIGHT CENTER SPECIFICATION S-311-P-4.



AMP P/N 206071-1  
 GSFC P/N G-08-S1  
 (SUPPLIED WITH 206064-6 AND 206064-8 ONLY)



REMARKS	DIA A	ON CONNECTOR	CUSTOMER P/N	TE P/N	ON CONNECTOR	PART NUMBER
SUPERSEDED BY 1996014-4	---	.120	8333648P1	1-206503-2	1-206503-2	
	---	.120	570566-4	1-206503-1	1-206503-1	
	8, 9	.120	311P407-4S-B-12	206503-4	206503-9	
	7	.120	20025720P1062S	206503-8	206503-8	
	---	.154	SC81D139-044	206503-7	206503-7	
	5	.120	R4383P62S	206503-6	206503-6	
	4	.120	R4383P62S-2	206503-5	206503-5	
	3	.120	311P407-4S-B-12	206503-4	206503-4	
	---	.154	N/A	206503-3	206503-3	
	---	.120	R9259P62S	206503-2	206503-2	
	9	.154	311P407-4S-B-15	206503-1	206503-1	

THIS DRAWING IS A CONTROLLED DOCUMENT.

DIMENSIONS: INCHES	TOLERANCES UNLESS OTHERWISE SPECIFIED:	0 PLC ± .005	1 PLC ± .005	2 PLC ± .005	3 PLC ± .005	4 PLC ± .005	ANGLES ± .1°
--------------------	--	--------------	--------------	--------------	--------------	--------------	--------------

MATERIAL: SEE CALLOUTS. FINISH: SEE CALLOUTS.

THIS DRAWING IS A CONTROLLED DOCUMENT. DWG: A.J. GRAFF 12-21-92. CHK: D. MILLER 12-21-92. APP'D: D. MILLER 12-21-92. NAME: AMPLIMITE RCPT ASSY, NON-MAGNETIC, SHELL SIZE 4, 62 POSITION. APPLICATION SPEC: PRODUCT SPEC. SIZE: A1. CAGE CODE: 00779. DRAWING NO: 206503. WEIGHT: -. RESTRICTED TO: CUSTOMER DRAWING. SCALE: 4:1. SHEET: 1 OF 1. REV: AA.

**STE** TE Connectivity

## X-ON Electronics

Largest Supplier of Electrical and Electronic Components

*Click to view similar products for [D-Sub MIL Spec Connectors](#) category:*

*Click to view products by [TE Connectivity](#) manufacturer:*

Other Similar products are found below :

[M85049/50-5F](#) [D38999/24WG11PB-LC](#) [MDM-9SH006A](#) [1218697-4](#) [D38999/26WJ61PC L/C](#) [1484349-1](#) [17D25HV](#) [1996840-1](#) [243082-15](#)  
[1757682-1](#) [17D-E51218-1](#) [17SDA15S](#) [1883533-1](#) [1883886-1](#) [1883889-1](#) [192900-0377](#) [M24308/8-347](#) [M83513/03-E09C](#) [443961-3](#) [5-](#)  
[1218949-1](#) [550-031NF1R6K](#) [3-1236089-2](#) [550E001NF1R3J0L](#) [550T001NF1R6K0L](#) [557T283NF5B08](#) [DB121073-56](#) [DC121073157](#)  
[443869-3](#) [443869-4](#) [443869-5](#) [550S004NF1R1B0F03](#) [557E283NF1A06](#) [527-019NF0303R2K1F](#) [5-446405-1](#) [550-031NF1R2E](#)  
[550E003M2R9J0F04](#) [550E003M3R9J0F05](#) [550E024M104R9J0](#) [550E024NF102R3J0B](#) [550E039NF1R3J1-02](#) [550S003M3R9B0F05](#)  
[550S004M4R7M0F04](#) [550S004NF1R1B1F02](#) [550S008M3F0K0F04](#) [550S086M5R3J0L](#) [550S100NF3F0E](#) [550T001M2R7E0L](#)  
[550T001NF1F0B1L](#) [550T001NF1R1K0G](#) [550T001NF1R3K0G](#)