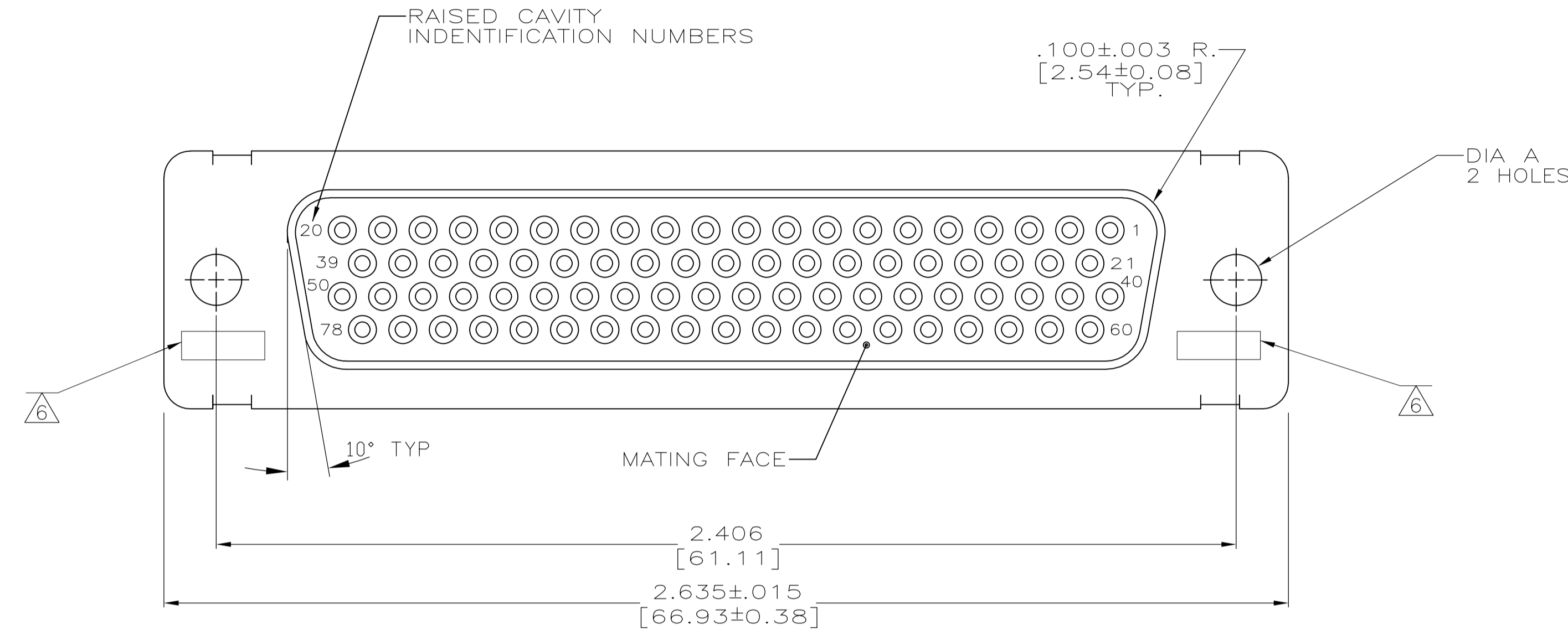
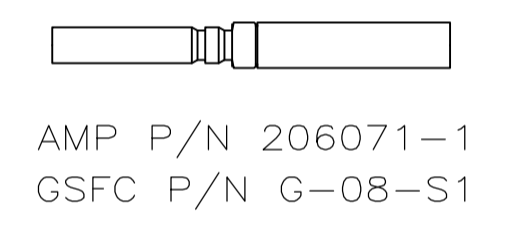
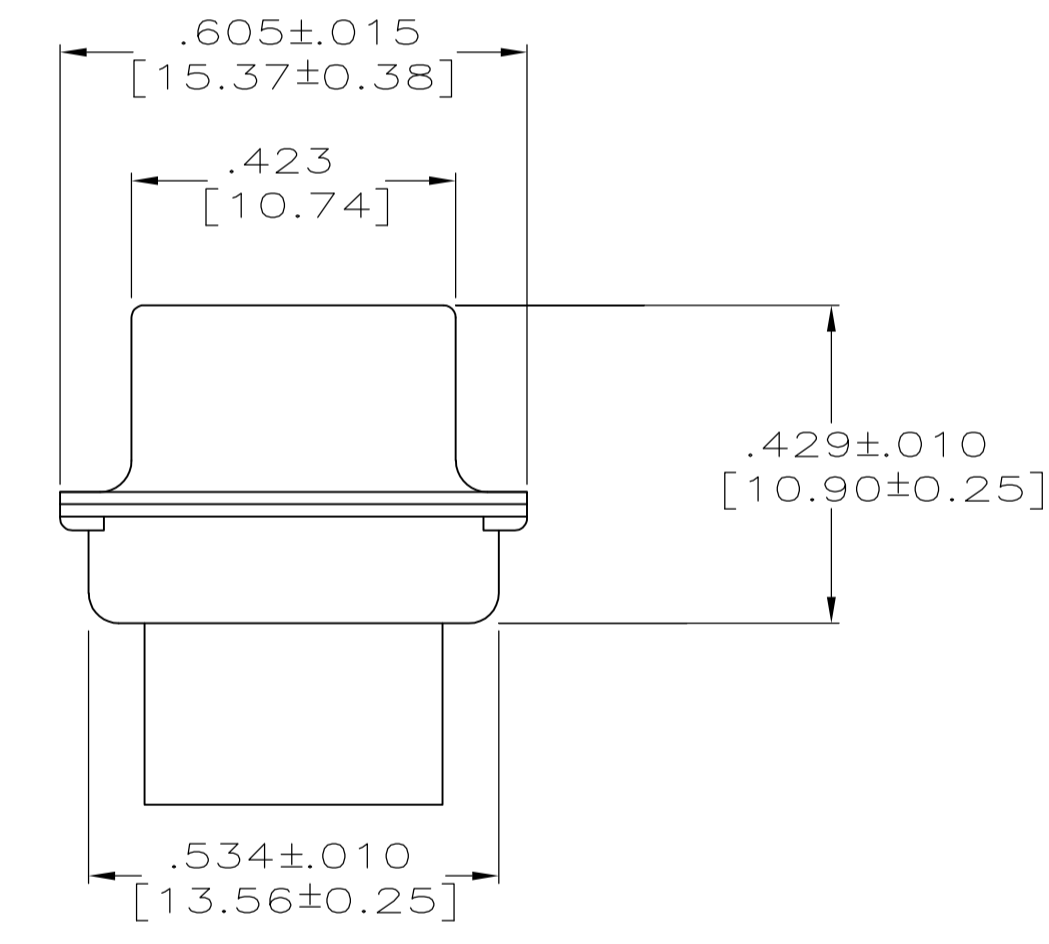
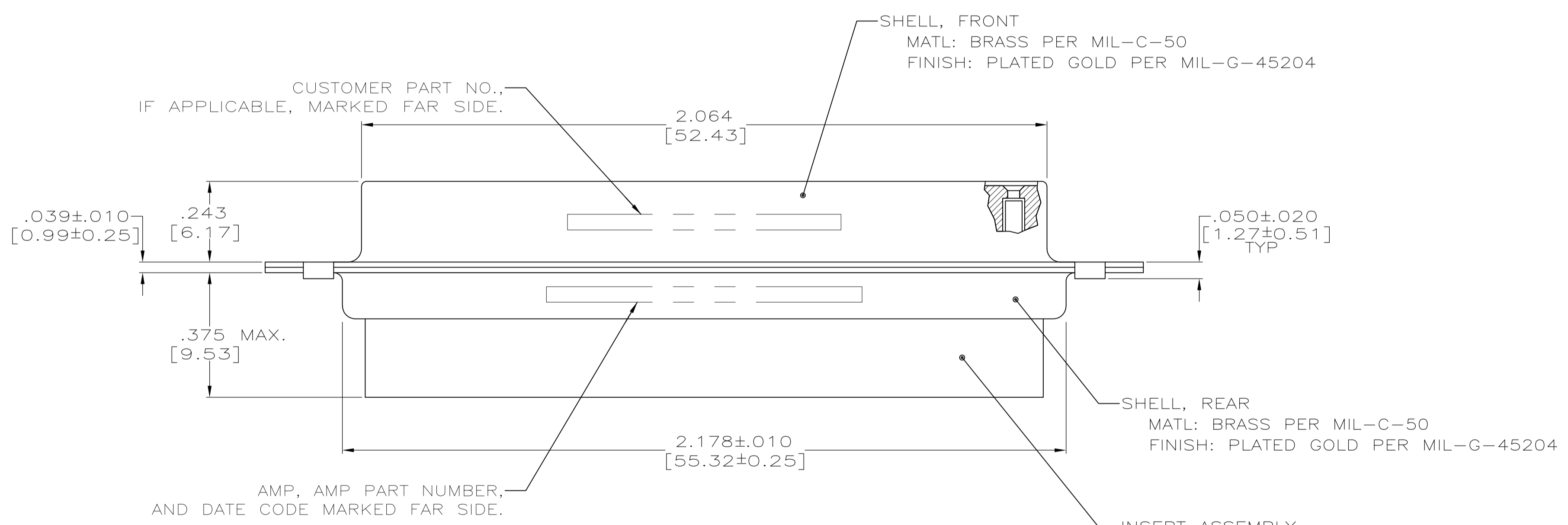


REVISONS		DATE	DN	APVD
LOC	DIST	DESCRIPTION		
Y		REV PER ECO 15-016064	11-9-15	CT CD



- THIS RECEPTACLE WILL MATE WITH ANY PLUG CONNECTOR WITH THE SAME INSERT ARRANGEMENT AS DEFINED BY MS18277-2.
 - MAXIMUM WIRE INSULATION USED WITH THIS RCPT. IS .054 [1.37] DIA.
 - Be-Cu RETENTION CLIPS ARE INCLUDED IN INSERTS.
- △4 INSPECTION REQUIREMENTS PER R4383.
- △5 CONNECTOR SUPPLIED WITH 86 CONTACTS, AMP PART NUMBER 206071-1. INSPECTION REQUIREMENTS PER R4383 WITHOUT TESTS FOR HIGH ALTITUDE DIELECTRIC WITHSTANDING VOLTAGE AS CALLED FOR IN TABLE II SCREENING AND TESTING.
- △6 UL/CSA DESIGNATION STAMPED IN THIS AREA, OPTIONAL
- △7 SPECIAL TESTING PER GE DOCUMENT 20025720. CONNECTOR SUPPLIED WITH 88 CONTACTS, AMP P/N 206071-1.
- △8 RESTRICTED TO CAE ELECTRONICS ONLY.
- △9 THESE CONNECTORS ARE QUALIFIED TO GODDARD SPACE FLIGHT CENTER SPECIFICATION S-311-P-4.
- △10 CONNECTOR SUPPLIED WITH 78 CONTACTS, AMP PART NUMBER 206071-1; (NOT INSTALLED).
- △11 SINGLE LOT DATE CODE AND 100% GROUP "A" ACCEPTANCE TESTING PER CI-2A-019.



△11	.120 [3.05]	CI-2A-019-004V-001	1-206505-4	1-206505-4
△10	.120 [3.05]	570566-5	1-206505-3	1-206505-3
-	.120 [3.05]	LMSC 1621480-006	1-206505-2	1-206505-2
-	.120 [3.05]	LMSC 1621480-006	1-206505-1	1-206505-1
△8	.120 [3.05]	311P407-5S-B-12	206505-4	1-206505-0
△7	.120 [3.05]	20025720P1078S	206505-9	206505-9
△5	.120 [3.05]	R4383P78S	206505-8	206505-8
	.154 [3.91]		206505-7	206505-7
△4	.120 [3.05]	R4383P78S-2	206505-6	206505-6
	.120 [3.05]	SC81D139-045	206505-5	206505-5
△9	.120 [3.05]	311P407-5S-B-12	206505-4	206505-4
	.154 [3.91]		206505-3	206505-3
	.120 [3.05]	R9259P78S	206505-2	206505-2
△9	.154 [3.91]	311P407-5S-B-15	206505-1	206505-1
REMARKS	DIA A	CUSTOMER P/N ON CONNECTOR	AMP P/N ON CONNECTOR	AMP P/N

THIS DRAWING IS A CONTROLLED DOCUMENT.

DTN M. CLOUSER 12-16-88
CHK T. CANTLIN 1-24-89

APVD F. KINSEY 1-25-89

NAME: AMPLIMITE NONMAGNETIC RECEPTACLE ASSEMBLY, SERIES 90, SHELL SIZE 5, 78 POSITION

SIZE: A1
CAGE CODE: 00779
DRAWING NO: 206505
RESTRICTED TO: -

CUSTOMER DRAWING
SCALE: 4:1
SHEET: 1 OF 1
REV: Y

X-ON Electronics

Largest Supplier of Electrical and Electronic Components

Click to view similar products for [D-Sub MIL Spec Connectors](#) category:

Click to view products by [TE Connectivity](#) manufacturer:

Other Similar products are found below :

[M85049/50-5F](#) [MDM-21PH046F](#) [850-056-0812](#) [1218697-4](#) [1484349-1](#) [17D25HV](#) [1996840-1](#) [243082-15](#) [1757682-1](#) [17D-E51218-1](#)
[17SDA15S](#) [1883533-1](#) [1883886-1](#) [1883889-1](#) [192900-0377](#) [M24308/8-347](#) [M83513/03-E09C](#) [443961-3](#) [MDM-21PH041F](#) [MDM-](#)
[21PH048F](#) [5-1218949-1](#) [550-031NF1R6K](#) [3-1236089-2](#) [550E001NF1R3J0L](#) [550T001NF1R6K0L](#) [557T283NF5B08](#) [DB121073-56](#)
[DC121073157](#) [443869-3](#) [443869-4](#) [443869-5](#) [550S004NF1R1B0F03](#) [557E283NF1A06](#) [527-019NF0303R2K1F](#) [5-446405-1](#) [550-](#)
[031NF1R2E](#) [550E003M2R9J0F04](#) [550E003M3R9J0F05](#) [550E024M104R9J0](#) [550E024NF102R3J0B](#) [550E039NF1R3J1-02](#)
[550S003M3R9B0F05](#) [550S004M4R7M0F04](#) [550S004NF1R1B1F02](#) [550S008M3F0K0F04](#) [550S086M5R3J0L](#) [550S100NF3F0E](#)
[550T001M2R7E0L](#) [550T001NF1F0B1L](#) [550T001NF1R1K0G](#)