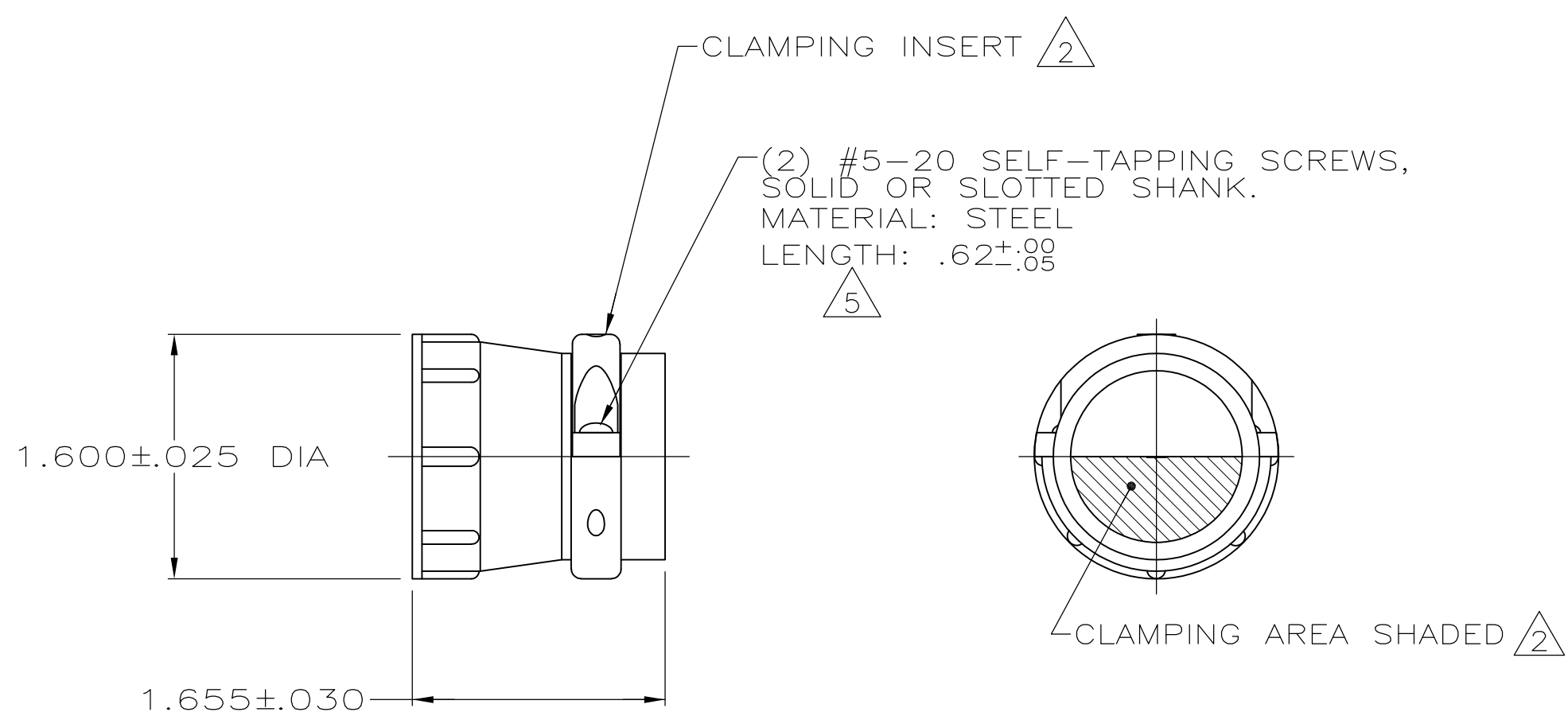


THIS DRAWING IS UNPUBLISHED. RELEASED FOR PUBLICATION
 © COPYRIGHT - By - ALL RIGHTS RESERVED.

LOC	DIST	REVISIONS					
BD	0	P	LTR	DESCRIPTION	DATE	DWN	APVD
			G3	REVISED PER ECO-11-004587	11MAR11	RK	HMR



- 1 PARTS PACKAGED UNASSEMBLED.
- 2 CABLE CLAMPING AREA ADJUSTABLE FROM .261 TO .517 SQ IN BY CHANGING CLAMPING INSERT.
- 3 1.125 MAXIMUM CABLE OUTSIDE DIAMETER.
- 4 BULK PACKAGED KITS TO BE ORDERED IN MULTIPLES OF 75 ONLY.
- 5 FINISH: ZINC NON-HEXAVALENT CHROMATE.
- 6 OBSOLETE PARTS: OBSOLETE CIS STREAMLINING PER D.RENAUD/D.SINISI

	5	4 BULK	206512-6
	5	INDIVIDUAL	206512-5
6 OBSOLETE	5	SMALL PACK	206512-4
6 OBSOLETE	5	SMALL PACK	206512-3
SUPERSEDED BY 206512-6	5	4 BULK	206512-2
SUPERSEDED BY 206512-5	5	INDIVIDUAL	206512-1
		SCREW FINISH	PART NUMBER
		PACKAGING	

THIS DRAWING IS A CONTROLLED DOCUMENT.		DWN	4/29/91		STE TE Connectivity			
		CHK	7-23-92					
		W.G.LENKER			NAME			
		-			CABLE CLAMP KIT, LARGE, SHELL SIZE 23, CPC			
DIMENSIONS: INCHES		TOLERANCES UNLESS OTHERWISE SPECIFIED:			PRODUCT SPEC			
		0 PLC ± -			108-10024			
		1 PLC ± -			APPLICATION SPEC			
		2 PLC ± -			-			
		3 PLC ± -			SIZE			
		4 PLC ± -			CAGE CODE			
		ANGLES ± -			DRAWING NO			
MATERIAL		FINISH			RESTRICTED TO			
THERMOPLASTIC		-			-			
CUSTOMER DRAWING					SCALE		SHEET	
					1:1		1 OF 1	
							REV	
							G3	

X-ON Electronics

Largest Supplier of Electrical and Electronic Components

Click to view similar products for [Standard Circular Connector](#) category:

Click to view products by [TE Connectivity](#) manufacturer:

Other Similar products are found below :

[5M2530B10P](#) [600259N006](#) [600273N007](#) [6134-336-13149](#) [6134-337-11149](#) [6134-337-2390](#) [6134-341-17149](#) [6280-4SG-516](#) [6280-7SG-3DC](#)
[6290](#) [6291A](#) [66200A-10](#) [680-SMG](#) [681-PMG](#) [CXS3102A14S2P](#) [CXS3102A181S](#) [7271-6SG-300](#) [7282-3PG-300-CH3](#) [75-474618-01S](#) [75-](#)
[474618-04P](#) [75-474618-04S](#) [799539-000](#) [MI8-SE](#) [805-005-07NF11-19PC](#) [805-005-07NF15-7PA](#) [8280-4PG-516](#) [8280-7PG-519](#) [8282-5PG-](#)
[519](#) [836783-1](#) [MP-4102-25P-C](#) [862256-1](#) [864019-2](#) [866857-1](#) [867865-1](#) [PT01SP-14-18P](#) [PT08P-14-5S](#) [120-1833-000](#)
[QCM019PC2DC012B](#) [1-2069279-1](#) [121583-0217](#) [121667-0020](#) [129591AU](#) [1000B BULK](#) [RD10A16-19-P6CS051/1](#) [RD10A20-31-](#)
[P8CS051/1](#) [RD16A14-12-S6CS051/2](#) [1301240290](#) [1301240347](#) [1301860202](#) [1301240268](#) [1301240275](#)