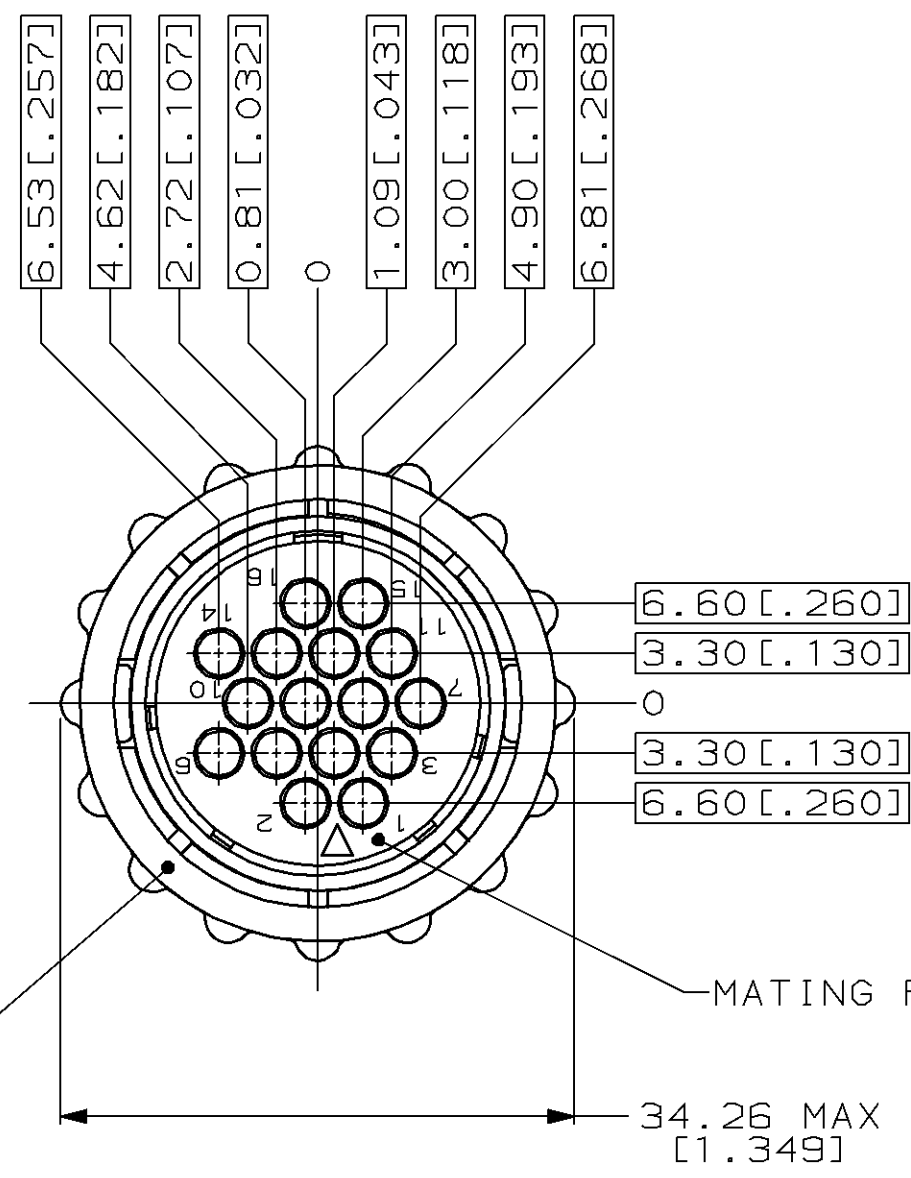
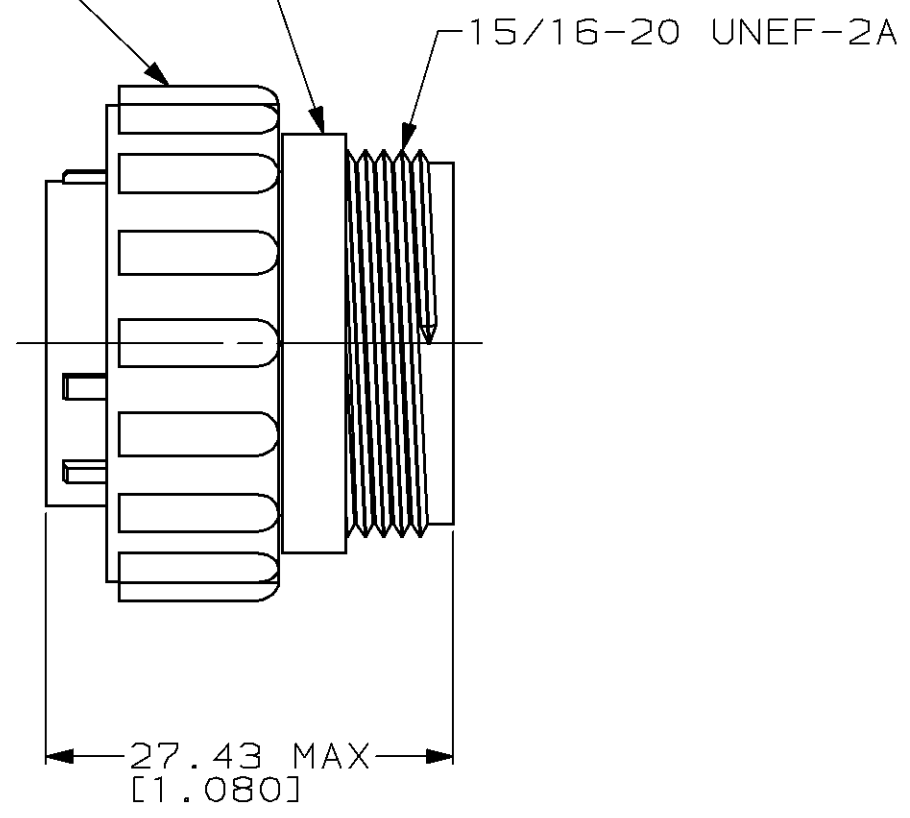


LOC	DIST	P	F	ZONE	LTR	DESCRIPTION	DATE	APPD
FT	4				F	REDRAWN W/O CHANGE PER EC 0020-600-94	06/17/94	AF
					G	REV PER EC 0020-568-95	19 JUL 95	AF
					H	REV PER EC 0320-244-97	06 OCT 97	KD



PLUG HOUSING
 MATERIAL: GLASS FILLED NYLON,
 6/6, BLACK

COUPLING RING
 MATERIAL: POLYESTER, BLACK



AMP PART NO & DATE CODE
 THIS SURFACE

MATING FACE

- CONTACT CAVITIES IDENTIFIED BY CHARACTERS ON FRONT AND REAR FACES OF CONNECTOR.
- WILL ACCEPT SIXTEEN (16) MULTIMATE SOCKET CONTACTS.

206554-1

PART NO

DO NOT SCALE PRINT. UNLESS SPECIFIED DIMENSIONS IN mm [INCHES] TOLERANCES ON: 2 PLC DEC ± - 3 PLC DEC ± - ANGLES ± -	DR 06-17-94 D.HARDY	AMP Incorporated Harrisburg, PA 17105-3608	NAME	
	CHK 06-24-94 R.STONE		PLUG ASSEMBLY, STANDARD SEX, 17-16, CPC	
MATERIAL	APPD 08-09-94 A.FRANTUM	SIZE	CAGE CODE	DRAWING NO
SEE CALLOUTS	APPD 08-09-94 A.FRANTUM	C	00779	C=206554
FINISH	APPLICATION SPEC	SCALE	SHEET	
-	-	2:1	1 OF 1	
THIS DRAWING IS A CONTROLLED DOCUMENT FOR AMP INCORPORATED. IT IS SUBJECT TO CHANGE AND THE CONTROLLING ENGINEERING ORGANIZATION SHOULD BE CONTACTED FOR THE LATEST REVISION.	WEIGHT			
-	-			

X-ON Electronics

Largest Supplier of Electrical and Electronic Components

Click to view similar products for [Standard Circular Connector](#) category:

Click to view products by [TE Connectivity](#) manufacturer:

Other Similar products are found below :

[5M2530B10P](#) [600259N006](#) [600273N007](#) [6134-336-13149](#) [6134-337-11149](#) [6134-337-2390](#) [6134-341-17149](#) [6280-4SG-516](#) [6280-7SG-3DC](#)
[6290](#) [6291A](#) [66200A-10](#) [680-SMG](#) [681-PMG](#) [CXS3102A14S2P](#) [CXS3102A181S](#) [7271-6SG-300](#) [7282-3PG-300-CH3](#) [75-474014-05S](#) [75-](#)
[474618-01S](#) [75-474618-04P](#) [75-474618-04S](#) [799539-000](#) [MI8-SE](#) [805-005-07NF11-19PC](#) [805-005-07NF15-7PA](#) [8280-4PG-516](#) [8280-7PG-](#)
[519](#) [8282-5PG-519](#) [836783-1](#) [MP-4102-25P-C](#) [862256-1](#) [864019-2](#) [866857-1](#) [867865-1](#) [PT01SP-14-18P](#) [PT08P-14-5S](#) [120-1833-000](#)
[QCM019PC2DC012B](#) [1-2069279-1](#) [121583-0217](#) [121667-0020](#) [129591AU](#) [1000B BULK](#) [RD10A16-19-P6CS051/1](#) [RD10A20-31-](#)
[P8CS051/1](#) [RD16A14-12-S6CS051/2](#) [1301240290](#) [1301240347](#) [1301860202](#) [1301240268](#)