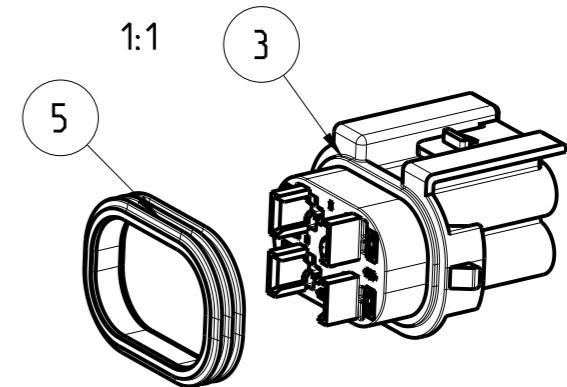
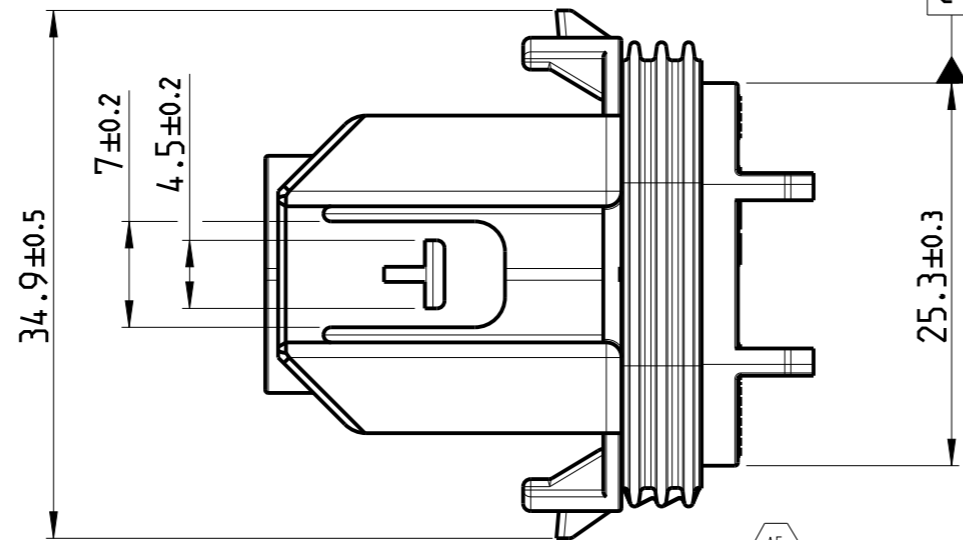
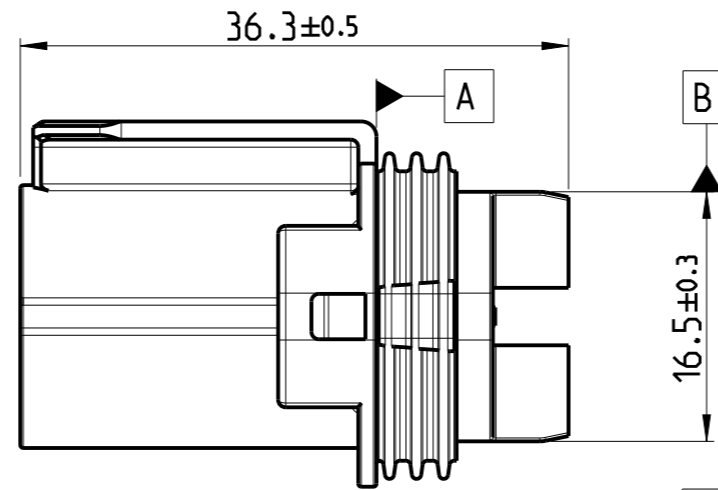
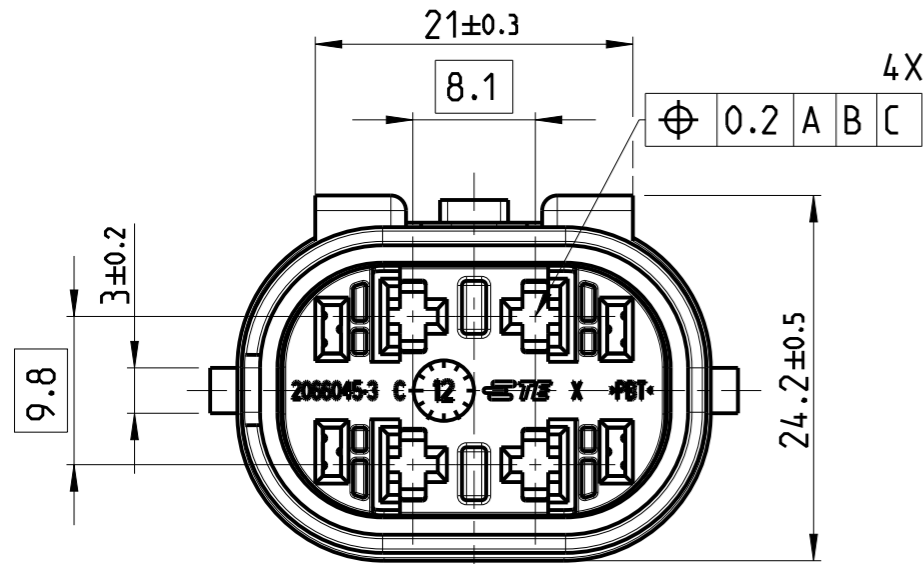


THIS DRAWING IS UNPUBLISHED
 RELEASED FOR PUBLICATION 2012
 © COPYRIGHT 2012 TE Connectivity India Ltd. ALL RIGHTS RESERVED.

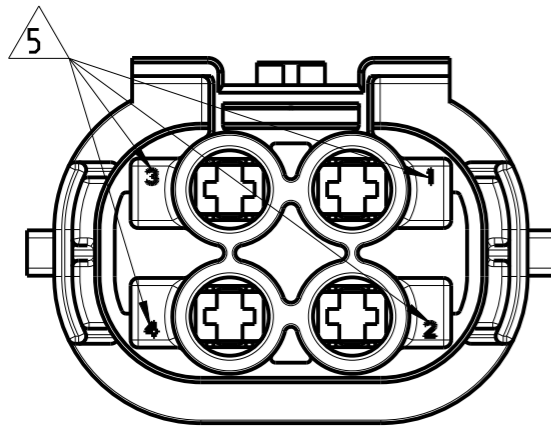
LOC	DIST	REVISIONS					
IT	-	P	LTR	DESCRIPTION	DATE	DWN	APVD
			A2	ECR-17-001057	24 JAN2017	CS	DH
			A3	ECR-19-014924	24 SEP2019	STK	DH
			A4	ECO-20-016025/ ECO-20-016231	09 NOV2020	STK	VVB
			A5	PCN: E-21-003499	24 MAR2021	AP	DH



- NOTES :-
- NO SCORES. DUST ON SEAL RING ARE PERMISSIBLE
 - REFER CONTACT PN: 968882, 968855, 968857.
 - REFER WIRE SEAL PN: 828904, 828905.
 - MATING COVER PN : 1-2066502-1, -2, -3, -4.
 - CAVITY MARKING : 1, 2, 3 & 4.
 - REFER APPLICATION SPEC FOR STANDARD CLIP OFFERINGS.

A5 2066046-3 AS SHOWN

ACTIVE		SUPERSEDED BY 2066046-4	SUPERSEDED BY 2066046-3	← PART STATUS				
-4	-3	-2	-1	← ASSEMBLY PART NUMBERS				
1	1	1	1	D	1544767-1	2-WAY 8mm NGI INTERFACIAL SEAL	SILICON	5
1	-	-	-	C	2066045-4	2POS MINIFUSE BOX HOUSING	PBT	4
-	1	-	-	C	2066045-3	2POS MINIFUSE BOX HOUSING	PBT	3
-	-	1	-	B	2066045-2	2POS MINIFUSE BOX HOUSING	PBT	2
-	-	-	1	B	2066045-1	2POS MINIFUSE BOX HOUSING	PBT	1
QTY				REV	PART NO.	DESCRIPTION	MATERIAL	ITEM



THIS DRAWING IS A CONTROLLED DOCUMENT.

DWN RAMESH, S 14 AUG 2012
 CHK VINAY, S 14 AUG 2012
 APVD MADHU, J 14 AUG 2012

DIMENSIONS: mm
 TOLERANCES UNLESS OTHERWISE SPECIFIED: DIN 16901-140

0 PLC
 1 PLC
 2 PLC
 3 PLC
 4 PLC
 ANGLES ±1°

MATERIAL SEE TABLE FINISH -

PRODUCT SPEC 108-72108
 APPLICATION SPEC 114-72110
 WEIGHT -

TE TE Connectivity

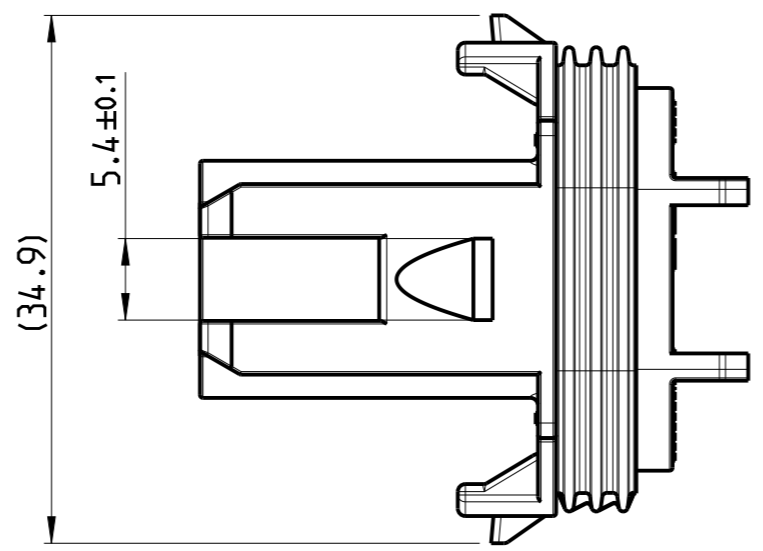
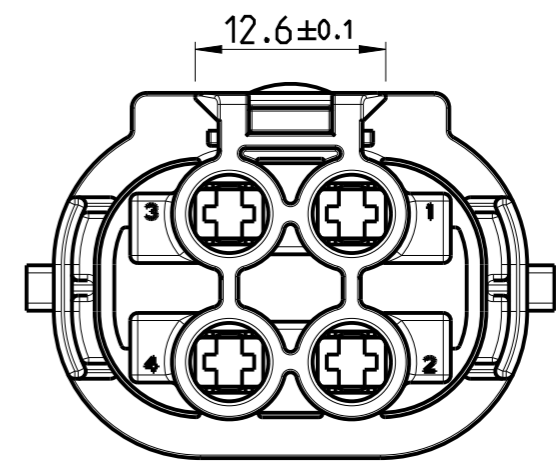
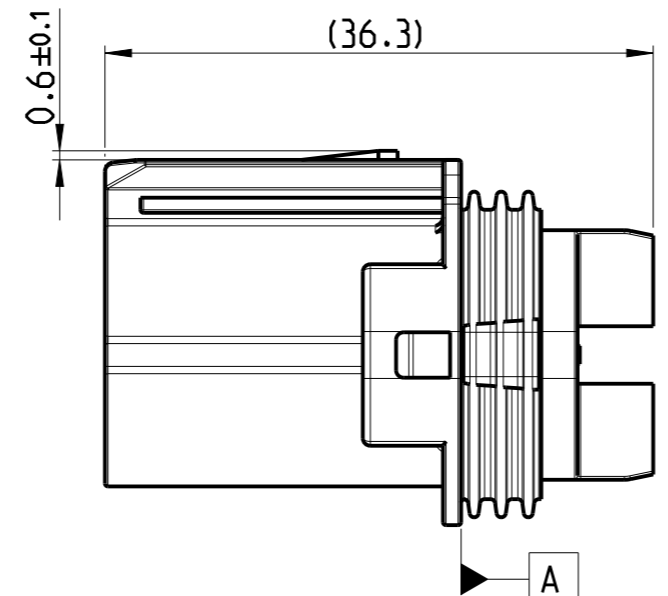
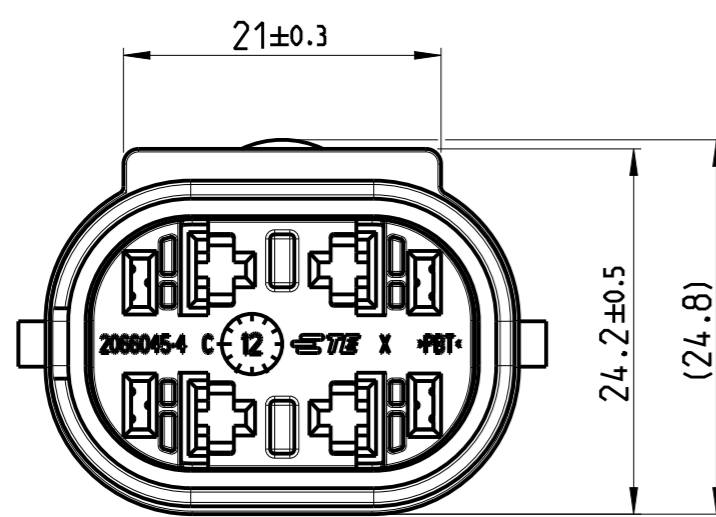
NAME 2 POS SEALED MINIFUSE BOX HOUSING ASSY

SIZE A3 CAGE CODE 00779 DRAWING NO C-2066046 RESTRICTED TO

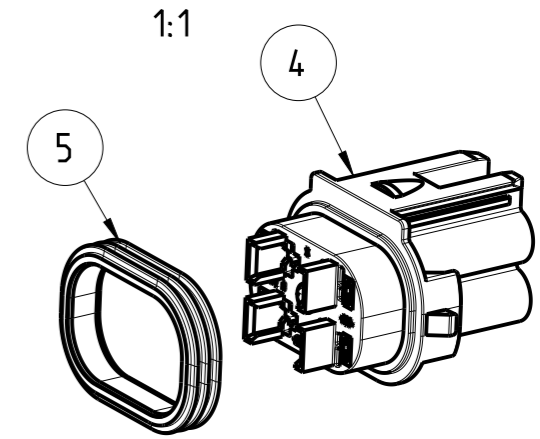
CUSTOMER DRAWING SCALE 2:1 SHEET 1 OF 3 REV A5

THIS DRAWING IS UNPUBLISHED
 RELEASED FOR PUBLICATION
 2012
 © COPYRIGHT 2012 TE Connectivity India Ltd. ALL RIGHTS RESERVED.

LOC	DIST	REVISIONS					
		P	LTR	DESCRIPTION	DATE	DWN	APVD
IT	-	-	-	SEE SHEET 1	-	-	-



A5 2066046-4 AS SHOWN



THIS DRAWING IS A CONTROLLED DOCUMENT.		DWN RAMESH, S 14 AUG 2012	TE Connectivity	
DIMENSIONS: mm		CHK VINAY, S 14 AUG 2012		
TOLERANCES UNLESS OTHERWISE SPECIFIED: DIN 16901-140		APVD MADHU, J 14 AUG 2012	NAME 2 POS SEALED MINIFUSE BOX HOUSING ASSY	
		PRODUCT SPEC 108-72108	SIZE A3	
MATERIAL SEE TABLE		APPLICATION SPEC 114-72110	CAGE CODE 00779	DRAWING NO C-2066046
FINISH -		WEIGHT -	RESTRICTED TO	
		CUSTOMER DRAWING	SCALE 5:1	SHEET 2 OF 3 REV A5

THIS DRAWING IS UNPUBLISHED.

RELEASED FOR PUBLICATION

2012

© COPYRIGHT 2012

TE Connectivity India Ltd.

ALL RIGHTS RESERVED.

LOC IT DIST -

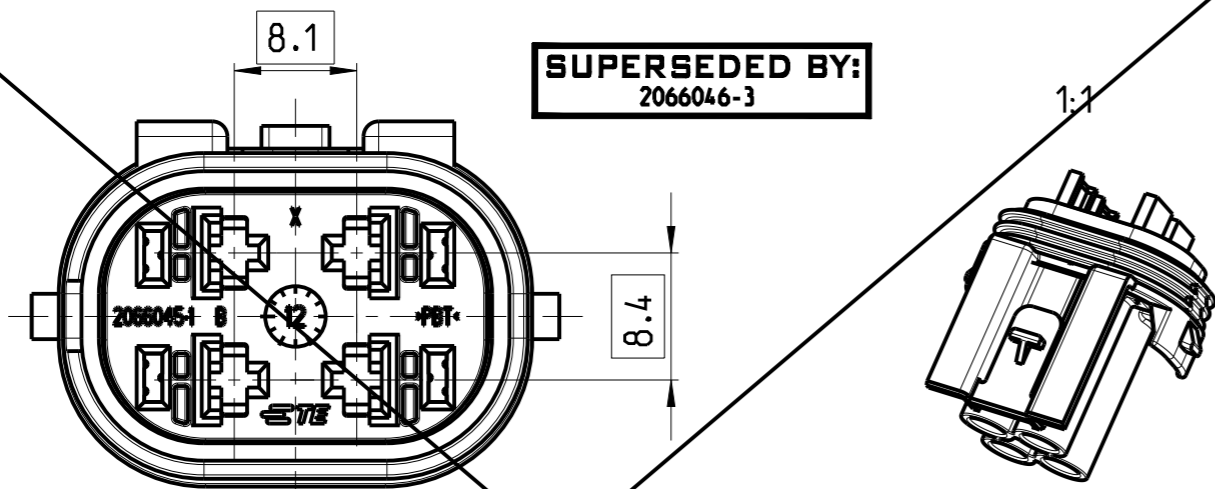
REVISIONS

P	LTR	DESCRIPTION	DATE	DWN	APVD
-	-	SEE SHEET 1	-	-	-

2066046-1

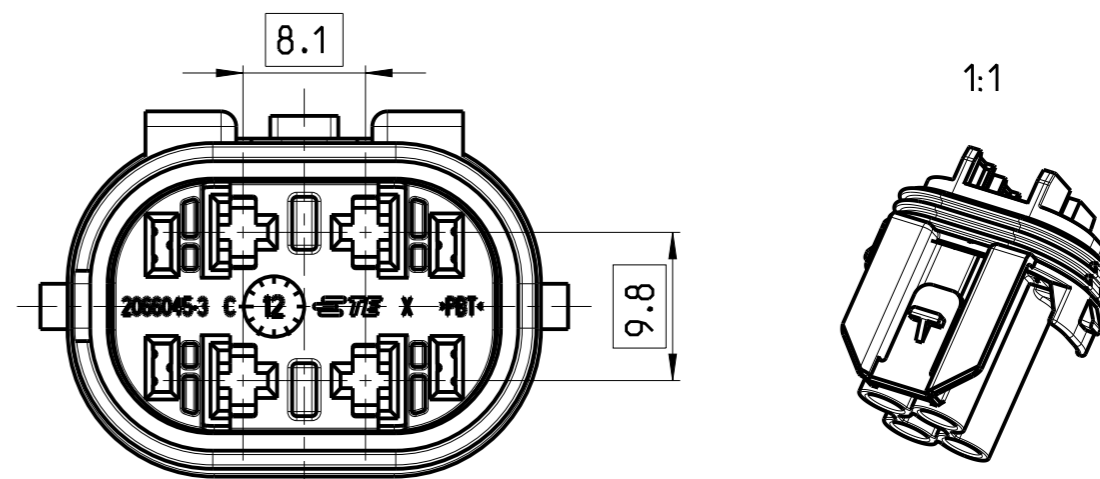
A4

SUPERSEDED BY:
2066046-3



2066046-3

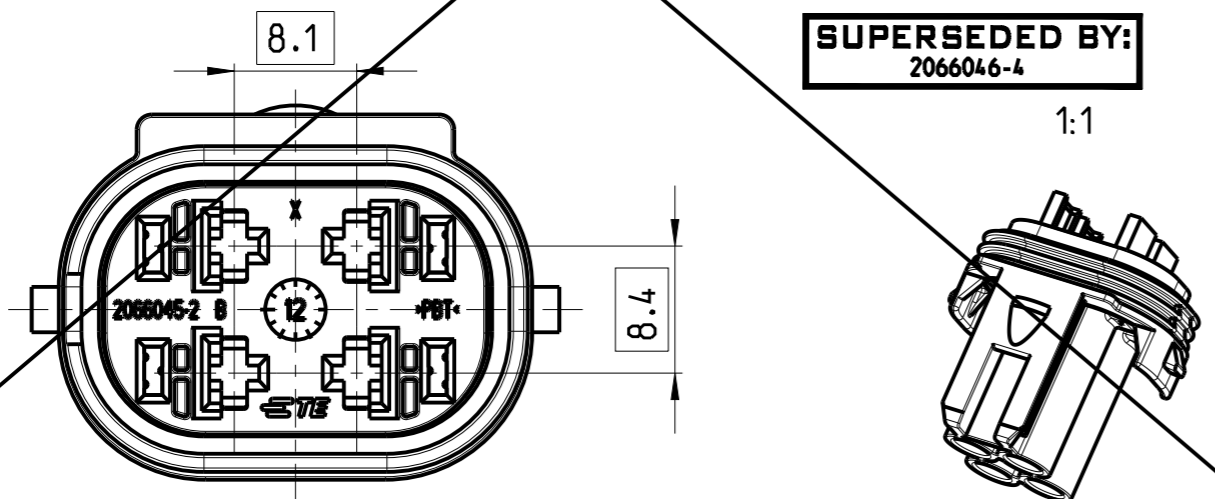
A3



2066046-2

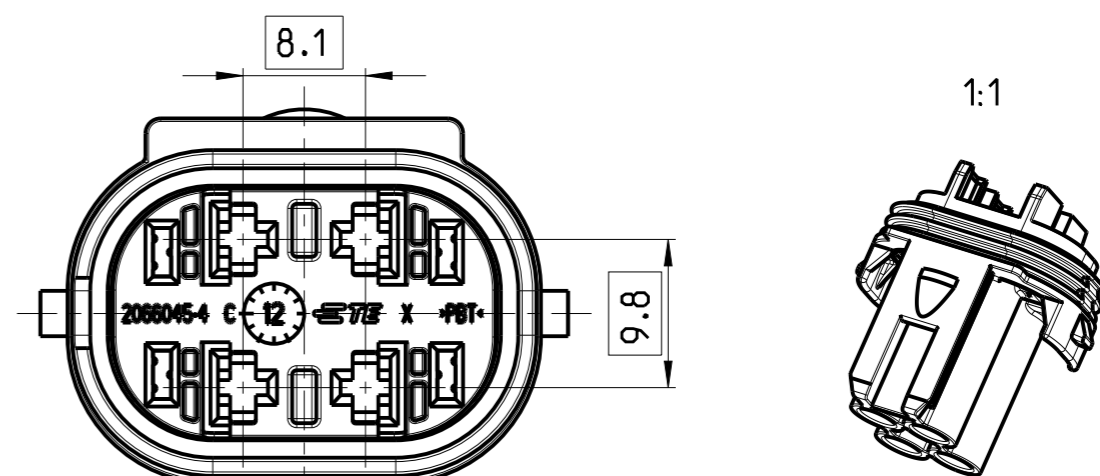
A4

SUPERSEDED BY:
2066046-4



2066046-4

A3



THIS DRAWING IS A CONTROLLED DOCUMENT.

DIMENSIONS:	TOLERANCES UNLESS OTHERWISE SPECIFIED:
mm	
	0 PLC ±
	1 PLC ±
	2 PLC ±
	3 PLC ±
	4 PLC ±
	ANGLES ±°

MATERIAL SEE TABLE

FINISH -

DWN	RAMESH, S	14 AUG 2012
CHK	VINAY, S	14 AUG 2012
APVD	MADHU, J	14 AUG 2012
PRODUCT SPEC	108-72108	
APPLICATION SPEC	114-72110	
WEIGHT	-	

TE TE Connectivity

NAME
2 POS SEALED MINIFUSE BOX HOUSING ASSY

SIZE	CAGE CODE	DRAWING NO	RESTRICTED TO
A3	00779	C-2066046	

CUSTOMER DRAWING SCALE 2:1 SHEET 3 OF 3 REV A5

X-ON Electronics

Largest Supplier of Electrical and Electronic Components

Click to view similar products for [Automotive Connectors](#) category:

Click to view products by [TE Connectivity](#) manufacturer:

Other Similar products are found below :

[003-018-000](#) [60403001](#) [60993906-B](#) [M902-2131](#) [M902-2161](#) [M902-2344](#) [72.330.1035.1](#) [73.353.4028.0](#) [F119300-B](#) [F166900](#) [F258300-B](#)
[F358300-B](#) [F407400](#) [F444110](#) [F487000](#) [F509500B-B](#) [827153-1](#) [8N1515-32-24P](#) [9-1326729-8](#) [925474-1](#) [928905-1](#) [964562-4](#) [968782-1](#)
[GT17SA-8DS-HU](#) [98891-1012](#) [98947-1016](#) [12004147](#) [12004475-L](#) [12010290](#) [12010309-B](#) [12015454](#) [12020219-B](#) [12041318-B](#) [12052225-](#)
[L](#) [12052466](#) [12064869](#) [12004327-B](#) [12015308](#) [12015384](#) [12015909](#) [1-21030-1](#) [12041254](#) [12041318](#) [12047946-B](#) [12047957](#) [12047957-L](#)
[12059473](#) [12066261](#) [12110546](#) [12110546-B](#)