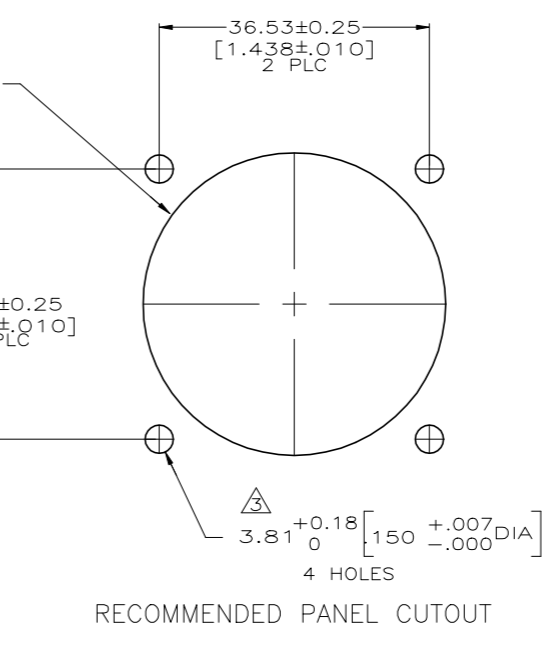
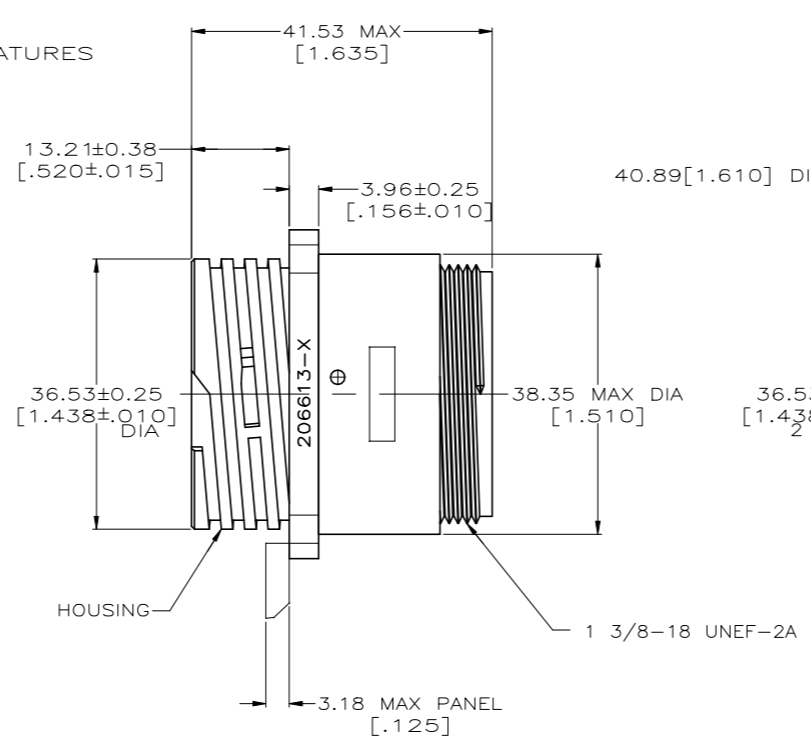
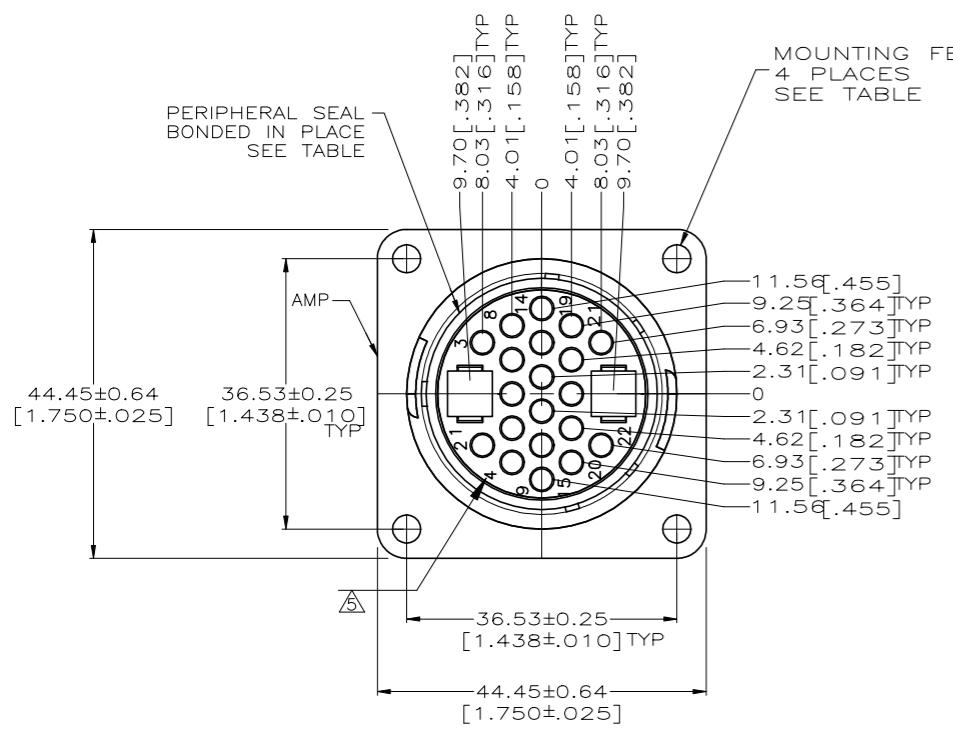
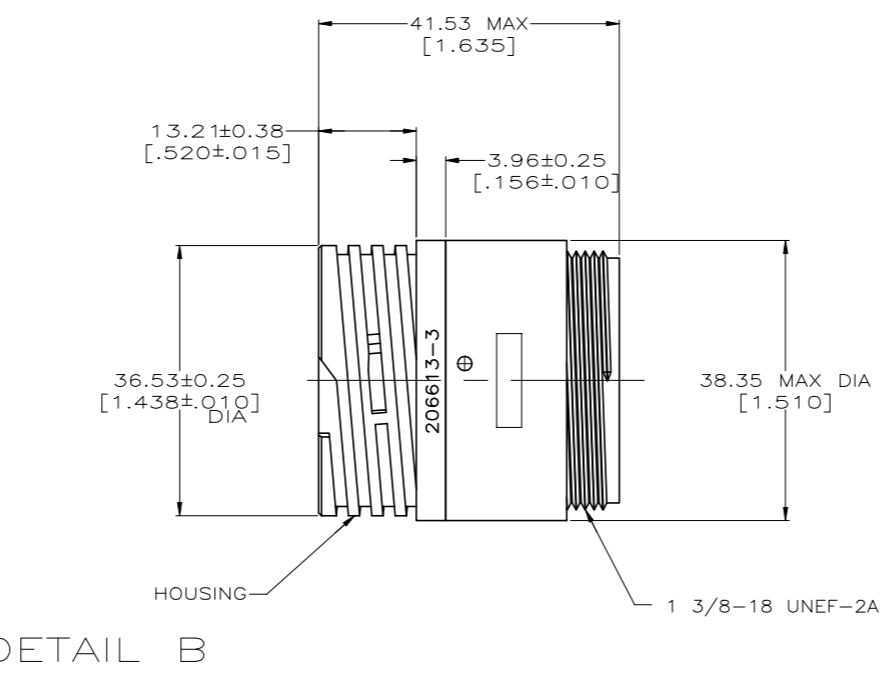
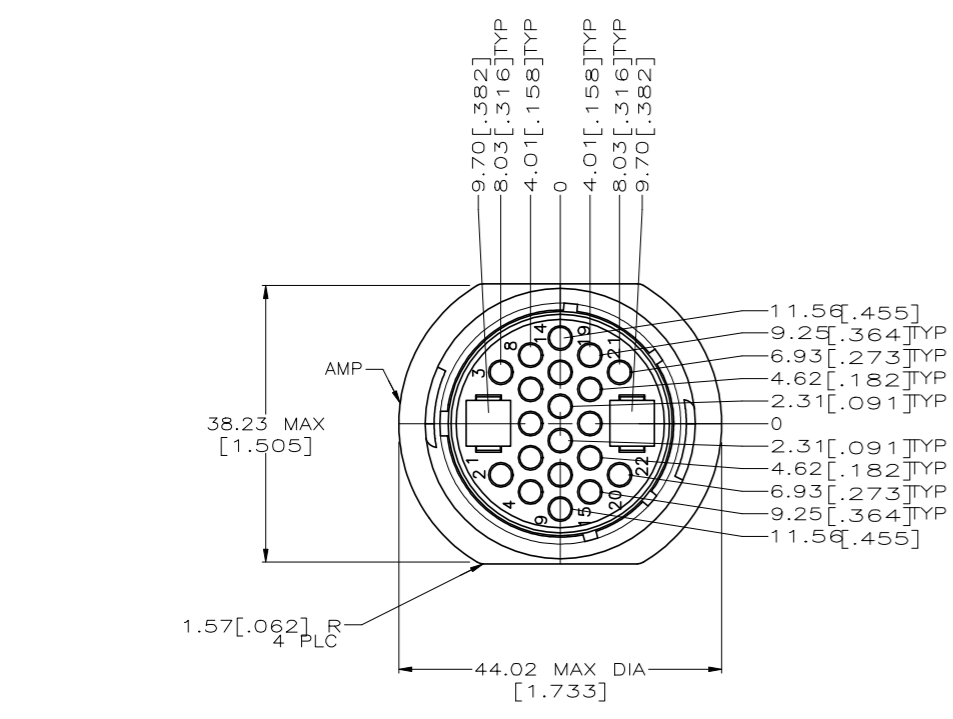


REVISIONS				
#	LTR	DESCRIPTION	DATE	BY / APPD
R		REVISED PER ECO-11-004820	20APR2017	BDA / MZ
S		REVISED PER ECO-19-011232	07AUG2019	RS / MZ
T		REVISED PER ECO-19-014836	21OCT2019	RS / MZ



DETAIL A



DETAIL B

1. WILL ACCEPT (20) MULTIMATE AND 2 TYPE XII PIN CONTACTS.

2. CAVITY IDENTIFICATION ON FRONT AND REAR FACE.

③ NUMBER 4 FASTENERS RECOMMENDED FOR MOUNTING.

④ HOUSING: NYLON, BLACK.  
PERIPHERAL SEAL: ELASTOMER, BLACK.  
THREADED INSERT: BRASS

⑤ PERMANENT WHITE MARKED OR WHITE INK STAMPED CAVITY IDENTIFICATION.

⑥ HOUSING: NYLON, RED.  
PERIPHERAL SEAL: ELASTOMER, BLACK.

⑦ WHITE DOT NEAR POSITION 1 ON WIRE ENTRY FACE.

NOTES	MOUNTING FEATURE	PERIPHERAL SEAL	SEE DETAIL	PART NUMBER
OBSOLETE	④	Ø3.81+/-0.08(.125 +/-0.003) HOLES	YES	A 1-206613-2
OBSOLETE	④	#4-40 THREADED INSERTS	NO	A 1-206613-0
OBSOLETE	⑥	Ø3.81+/-0.08(.125 +/-0.003) HOLES	YES	A 206613-9
PRELIMINARY	⑤	Ø3.81+/-0.08(.125 +/-0.003) HOLES	YES	A 206613-7
OBSOLETE	④	#4-40 THREADED INSERTS	NO	A 206613-6
OBSOLETE	④	Ø3.81+/-0.08(.125 +/-0.003) HOLES	YES	A 206613-5
OBSOLETE	④	Ø3.81+/-0.08(.125 +/-0.003) HOLES	NO	B 206613-3
OBSOLETE	④	Ø3.81+/-0.08(.125 +/-0.003) HOLES	NO	A 206613-1

THIS DRAWING IS A CONTROLLED DOCUMENT. DWG: M.BINNER 05/26/94  
 CHK: R.STONE 6-23-94

DIMENSIONS: INCHES  
 TOLERANCES UNLESS OTHERWISE SPECIFIED:  
 0 PLC ± -  
 1 PLC ± -  
 2 PLC ± 0.13 [.005]  
 3 PLC ± -  
 4 PLC ± -  
 ANGLES ± -

PRODUCT SPEC: 108-10024  
 APPLICATION SPEC: -

MATERIAL: ④  
 FINISH: -

WEIGHT: -  
 RESTRICTED TO: -

CUSTOMER DRAWING  
 SCALE: 2:1  
 SHEET: 1 of 1  
 REV: T

TE Connectivity  
 RECEPTACLE HOUSING, STANDARD  
 SEX, SHELL SIZE 23, CPC

SIZE: A1  
 CAGE CODE: 00779  
 DRAWING NO: 206613

## X-ON Electronics

Largest Supplier of Electrical and Electronic Components

*Click to view similar products for [Standard Circular Connector](#) category:*

*Click to view products by [TE Connectivity](#) manufacturer:*

Other Similar products are found below :

[5M2530B10P](#) [600259N006](#) [600273N007](#) [6134-336-13149](#) [6134-337-11149](#) [6134-337-2390](#) [6134-341-17149](#) [6280-4SG-516](#) [6280-7SG-3DC](#)  
[6290](#) [6291A](#) [66200A-10](#) [680-SMG](#) [681-PMG](#) [CXS3102A14S2P](#) [CXS3102A181S](#) [7251-5SG-300](#) [7271-6SG-300](#) [7282-3PG-300-CH3](#) [75-](#)  
[474618-01S](#) [75-474618-04P](#) [75-474618-04S](#) [799539-000](#) [MI8-SE](#) [805-005-07NF11-19PC](#) [805-005-07NF15-7PA](#) [8280-4PG-516](#) [8280-7PG-](#)  
[519](#) [8282-5PG-519](#) [836783-1](#) [MP-4102-25P-C](#) [862256-1](#) [864019-2](#) [866857-1](#) [867865-1](#) [PT01SP-14-18P](#) [PT08P-14-5S](#) [PTSF06SE-14-12S](#)  
[120-1833-000](#) [QCM019PC2DC012B](#) [1-2069279-1](#) [121583-0217](#) [121667-0020](#) [129591AU](#) [1000B BULK](#) [RD10A16-19-P6CS051/1](#)  
[RD10A20-31-P8CS051/1](#) [RD16A14-12-S6CS051/2](#) [1301240290](#) [1301240347](#) [1301860202](#)