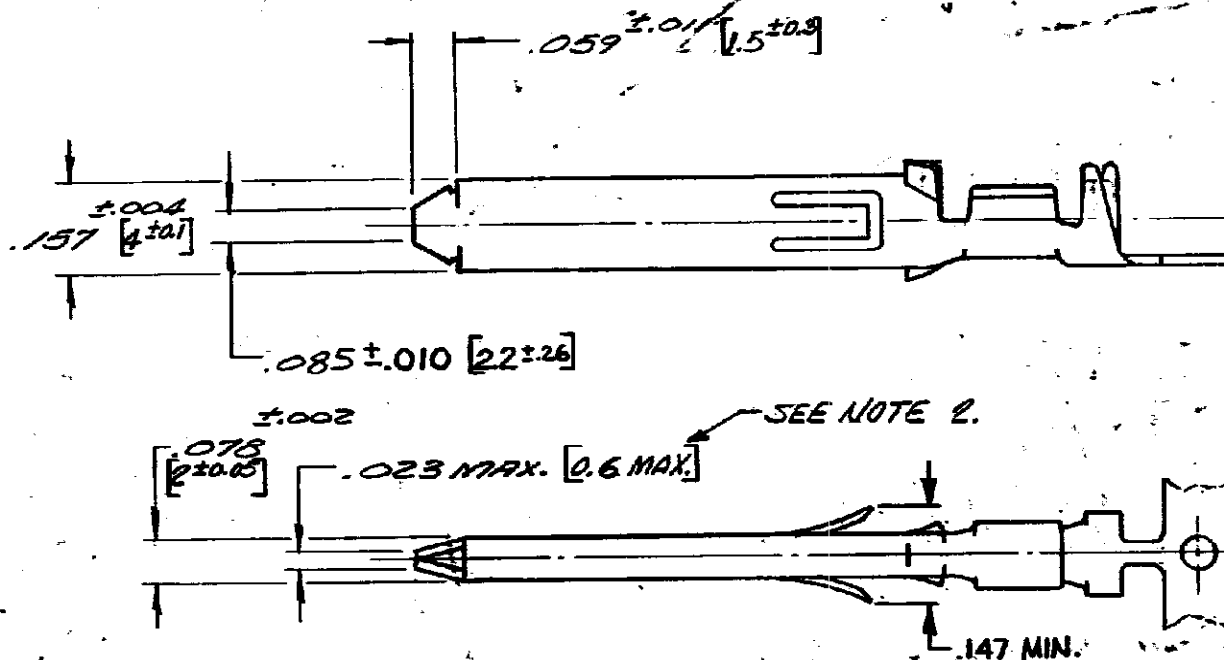


DRAWING MADE IN THIRD ANGLE PROJECTION

© COPYRIGHT 1974 BY AMP INCORPORATED, HARRISBURG, PA.
ALL INTERNATIONAL RIGHTS RESERVED. AMP INCORPORATED PRODUCTS
COVERED BY U. S. AND FOREIGN PATENTS AND/OR PATENTS PENDING.

206638-2	AS SHOWN ON STRIP (STATUS OBSOLETE)	PLATE PER NOTE 3
206638-3	AS SHOWN LOOSE PIECE (STATUS OBSOLETE)	PLATE PER NOTE 3
5-206638-2	AS SHOWN ON STRIP (RoHS COMPLIANT)	PLATE PER NOTE 4
5-206638-3	AS SHOWN LOOSE PIECE (RoHS COMPLIANT)	PLATE PER NOTE 4

		REVISIONS				
	P	ZONE	LTR	DESCRIPTION	DATE	APPROVED
			O	RELEASED WAS 5089-2	28 1/30/74	QJLM
			A	REV. PER ECN D-045	28 5/27/74	SJ.
			B	REV. PER ECN J-876	3/4/83	DE JKL
			C	REV. PER ECN R-720	10-17-81	MPH BV
			D	REV./ECN R-1917	3-4-88	MPH MK
			E	ADDED-3/ECN R-2735	7-2-87	RG THW
			F	REVISED ECN 54620	5-10-88	THW
			G	REVISED ECN 54712	7-7-88	THW
			H	REVISED PER ECR-16-018092	82-12-16	PO



CONTACT U.L. LISTED FOR 15 AMPS, 250 VOLTS
WITH 16 AWG WHEN USED IN AMP INC.
HOUSING NO. 206637-1.

1. ACCOMMODATES 20-18-16 AWG, INSULATION RANGE .080/.135 DIA.
2. FIGURES SHOWN IN BRACKETS REPRESENT DIMENSIONS IN MILLIMETERS.
3. FINISH: TIN .000050 MIN. THICK PER MIL-T-10727 OVER NICKEL (FLASH) PER QQ-N-290. PLATING THICKNESS POINT OF MEASUREMENT EQUALS 1/2 CONTACT LENGTH.
4. FINISH: TIN (WHISKER MITIGATED, LEAD-FREE) .000050 MINIMUM THICKNESS PER ASTM-B545-13 OVER NICKEL FLASH PER QQ-N-290. POINT OF MEASUREMENT EQUALS 1/2 CONTACT LENGTH.

UNLESS OTHERWISE SPECIFIED DIMENSIONS ARE IN INCHES. TOLERANCES ON DECIMALS ± ANGLES ±	CONTRACT NO	PART NO	
	DR <i>D-22-73</i>	TE Connectivity	
	CHK <i>QJLM 4/30/74</i>	NAME <i>PIN CONTACT - POWER CORD RECP. (CRIMP)</i>	
	MATERIAL <i>BRASS</i>	SIZE <i>B</i>	CODE IDENT NO <i>00779</i>
FINISH <i>SEE TABLE</i>	OTHER APPD	SCALE <i>2-1</i>	SHEET <i>1 OF 1</i>

X-ON Electronics

Largest Supplier of Electrical and Electronic Components

Click to view similar products for [AC Power Plugs & Receptacles](#) category:

Click to view products by [TE Connectivity](#) manufacturer:

Other Similar products are found below :

[739W-X2/03-BACK1](#) [85447L](#) [1301460003](#) [1301520016](#) [1301520008](#) [14W07](#) [15W07](#) [22806](#) [26W47](#) [929662-1](#) [27W75](#) [27W81](#) [962160-1](#)
[29W08MB](#) [29W82](#) [26W](#) [26W76BLK](#) [27W47](#) [27W48](#) [28W](#) [28W81](#) [29W47MB](#) [HDR-E14FG1+](#) [30-9717-25](#) [43305](#) [85266](#) [5262DW](#) [22801](#)
[22804](#) [25W47](#) [701W-15/06](#) [701W-20/27](#) [27T76](#) [29T48](#) [739W-20/XX](#) [1301860536](#) [1301520018](#) [1301520021](#) [1301520020](#) [8210GY](#)
[29W48](#) [3011-06](#) [A52S22A](#) [739W-X2/XX3](#) [26T49](#) [2707](#) [26W47-W](#) [1301450073](#) [RECWALLBOXBA](#) [1301490033](#)