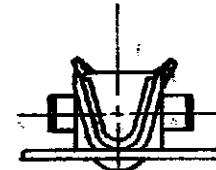
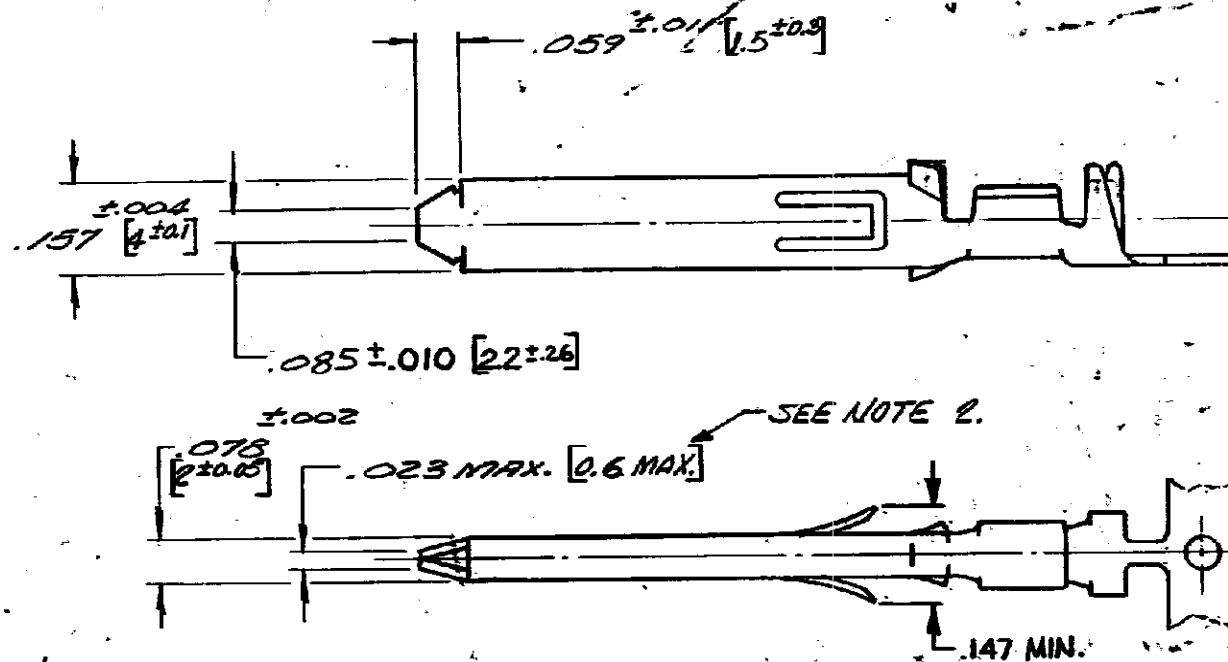


DRAWING MADE IN THIRD ANGLE PROJECTION

© COPYRIGHT 1974 BY AMP INCORPORATED, HARRISBURG, PA.
ALL INTERNATIONAL RIGHTS RESERVED. AMP INCORPORATED PRODUCTS
COVERED BY U. S. AND FOREIGN PATENTS AND/OR PATENTS PENDING.

206638-2	AS SHOWN ON STRIP (STATUS OBSOLETE)	PLATE PER NOTE 3
206638-3	AS SHOWN LOOSE PIECE (STATUS OBSOLETE)	PLATE PER NOTE 3
5-206638-2	AS SHOWN ON STRIP (RoHS COMPLIANT)	PLATE PER NOTE 4
5-206638-3	AS SHOWN LOOSE PIECE (RoHS COMPLIANT)	PLATE PER NOTE 4

		REVISIONS				
	P	ZONE	LTR	DESCRIPTION	DATE	APPROVED
			O	RELEASED WAS 5089-2	28	1/30/74 RLM
			A	REV. PER ECN D-045	28	5/27/74 S.J.
			B	REV. PER ECN J-876	1/4/83	DE JKL
			C	REV. PER ECN R-720	10-17-84	MPH BV
			D	REV./ECN R-1917	3-4-86	MPH MK
			E	ADDED-3/ECN R-2735	7-2-87	RG THW
			F	REVISED ECN 54620	5-10-88	THW
			G	REVISED ECN 54712	7-7-88	THW
			H	REVISED PER ECR-16-018092	02-12-16	PO



CONTACT U.L. LISTED FOR 15 AMPS, 250 VOLTS
WITH 16 AWG WHEN USED IN AMP INC.
HOUSING NO. 206637-1.

1. ACCOMMODATES 20-18-16 AWG, INSULATION RANGE .080/.135 DIA.
2. FIGURES SHOWN IN BRACKETS REPRESENT DIMENSIONS IN MILLIMETERS.
3. FINISH: TIN .000050 MIN THICK PER MIL-T-10727 OVER NICKEL (FLASH) PER QQ-N-290. PLATING THICKNESS POINT OF MEASUREMENT EQUALS 1/2 CONTACT LENGTH.
4. FINISH: TIN (WHISKER MITIGATED, LEAD-FREE) .000050 MINIMUM THICKNESS PER ASTM-B545-13 OVER NICKEL FLASH PER QQ-N-290. POINT OF MEASUREMENT EQUALS 1/2 CONTACT LENGTH.

UNLESS OTHERWISE SPECIFIED DIMENSIONS ARE IN INCHES. TOLERANCES - ANGLES ±	CONTRACT NO	PART NO		
	DR <i>D-22-73</i>	TE Connectivity		
	CHK <i>RLM 4/30/74</i>	NAME <i>PIN CONTACT - POWER CORD RECP. (CRIMP)</i>		
	APP <i>S. J. 4/20/74</i>	SIZE	CODE IDENT NO	NUMBER
MATERIAL <i>BRASS</i>	OTHER APPD	<i>B</i>	<i>00779</i>	<i>206638</i>
FINISH <i>SEE TABLE</i>		SCALE <i>2-1</i>	SHEET <i>1 OF 1</i>	

X-ON Electronics

Largest Supplier of Electrical and Electronic Components

Click to view similar products for [Power to the Board](#) category:

Click to view products by [TE Connectivity](#) manufacturer:

Other Similar products are found below :

[10131318-08512GRLF](#) [6450171-4](#) [6450552-7](#) [6600323-8](#) [6643429-1](#) [6646040-2](#) [6651939-1](#) [6766604-1](#) [120959-1](#) [1393557-2](#) [1393532-2](#)
[1393532-3](#) [1393532-4](#) [1600812-5](#) [1-6450861-2](#) [1645595-1](#) [1743490-1](#) [1744132-7](#) [1761122-1](#) [1766169-1](#) [1766250-1](#) [18362](#) [1892109-1](#) [1-](#)
[967627-6](#) [2226808-1](#) [2-6450860-5](#) [2-6450860-6](#) [2-6450870-0](#) [93003-0502](#) [953552-1](#) [1-6450161-4](#) [1-6450850-6](#) [1645526-2](#) [1-6600130-0](#)
[1743419-1](#) [1766150-1](#) [2005243-2](#) [211110-1](#) [2-6600130-2](#) [TE34-12-16P-F0](#) [5-6450830-6](#) [5646956-4](#) [36662-0005](#) [40585-3000](#) [4-6450830-9](#)
[4-6600333-3](#) [51142-0214](#) [10134048-911LF](#) [10130248-005LF](#) [6600320-3](#)