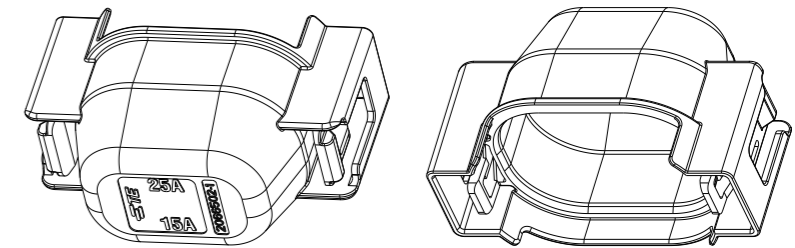
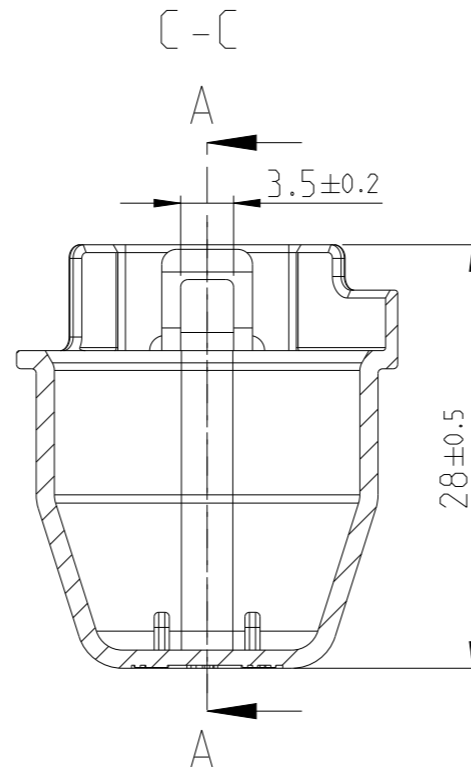
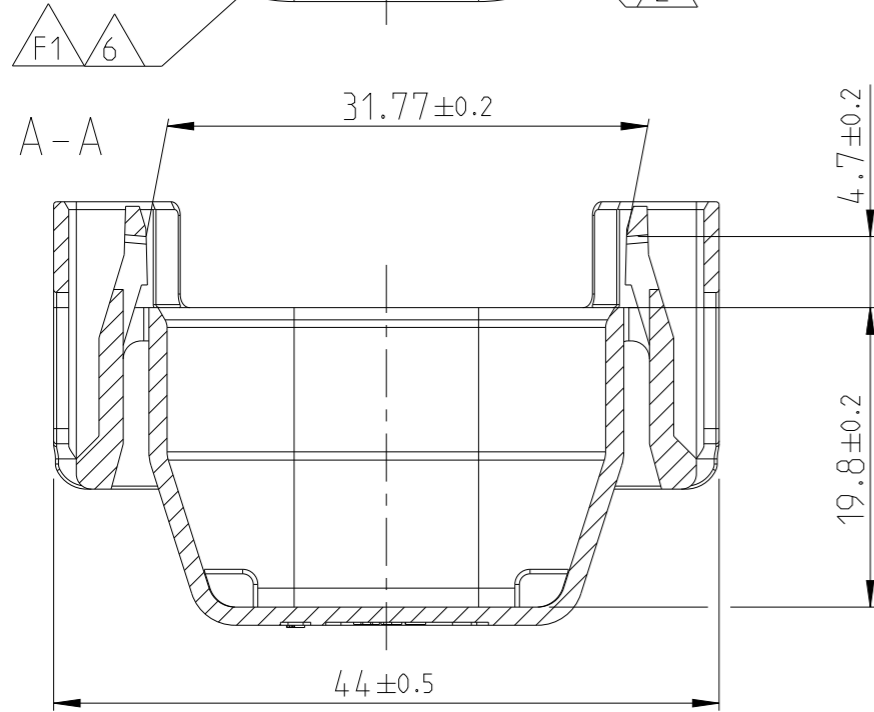
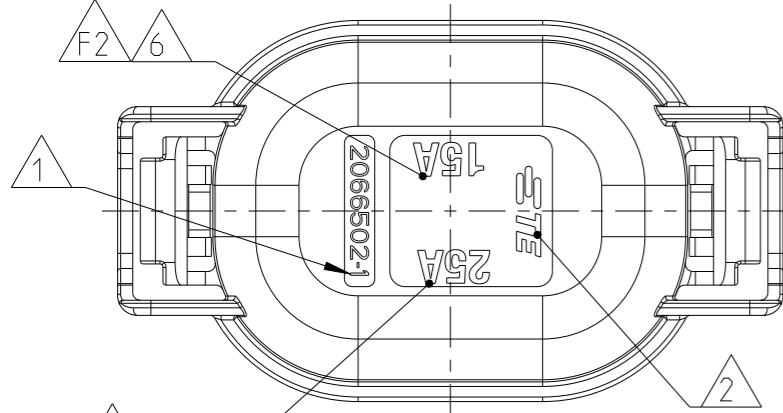


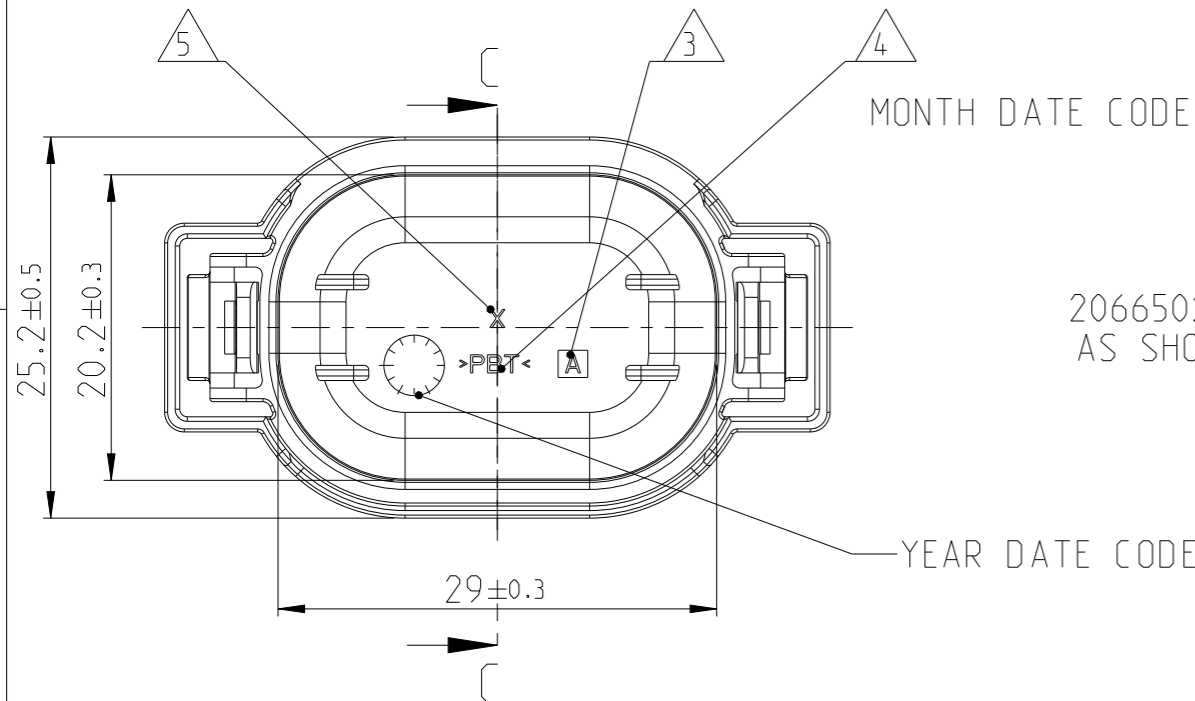
TABLE 1

FUZE CURRENT MATRIX				
PART NO.	2066502-1	2066502-2	2066502-3	1-2066502-4
F1	25A	25A	-	15A
F2	15A	10A	-	10A



- 1 TE PART NO.
- 2 TE TRADEMARK
- 3 PART REVISION INDEX
- 4 MATERIAL IDENTIFICATION
- 5 MOLD CAVITY IDENTIFICATION NUMBER
- 6 MARKING FOR CURRENT RATING
- 7 15% MAX. PERMITTED REGRIND MATERIAL, PROCESSED IN CLOSED LOOP.

8. DRAWING SHOWN FOR P/N: 2066502-1. REFER TABLE 1 FOR DETAILS REGARDING OTHER PART NUMBERS.



2066502-1 AS SHOWN

PART STATUS	TE PART NO	REV	DESCRIPTION	MATERIAL	WEIGHT [g]	SURFACE COLOR	ITEM
ACTIVE	1-2066502-4	A	COVER, MINI FUSE 2POS.	PBT(Source 2)	5	BLACK	7
	1-2066502-3	A	COVER, MINI FUSE 2POS.		5	BLACK	6
	1-2066502-2	A	COVER, MINI FUSE 2POS.		5	GRAY	5
	1-2066502-1	A	COVER, MINI FUSE 2POS.		5	BLACK	4
SUPERSEDED BY 1-2066502-3	2066502-3	A	COVER, MINI FUSE 2POS.	PBT(Source 1)	5	BLACK	3
SUPERSEDED BY 1-2066502-2	2066502-2	A	COVER, MINI FUSE 2POS.		5	GRAY	2
SUPERSEDED BY 1-2066502-1	2066502-1	A	COVER, MINI FUSE 2POS.		5	BLACK	1

THIS DRAWING IS A CONTROLLED DOCUMENT.

DWN VISHWA. A 19JUN2012
 CHK MADHUL. L 13JUL2012
 APVD MADHUL. L 13JUL2012

DIMENSIONS: mm TOLERANCES UNLESS OTHERWISE SPECIFIED: DIN 16901-140

0 PLC ±
 1 PLC ±
 2 PLC ±
 3 PLC ±
 4 PLC ±
 ANGLES ±°
 FINISH -

MATERIAL SEE TABLE

PRODUCT SPEC 108-72108
 APPLICATION SPEC -
 WEIGHT -

NAME COVER, 2POS MINIFUSE BOX HOUSING

SIZE A3 CAGE CODE 00779 DRAWING NO C=2066502 RESTRICTED TO

CUSTOMER DRAWING SCALE 2:1 SHEET 1 OF 1 REV B2

TE Connectivity

X-ON Electronics

Largest Supplier of Electrical and Electronic Components

Click to view similar products for [Automotive Connectors](#) category:

Click to view products by [TE Connectivity](#) manufacturer:

Other Similar products are found below :

[003-018-000](#) [60403001](#) [60993906-B](#) [M902-2131](#) [M902-2161](#) [72.330.1035.1](#) [73.353.4028.0](#) [F119300-B](#) [F166900](#) [F258300-B](#) [F358300-B](#)
[F407400](#) [F444110](#) [F487000](#) [F509500B-B](#) [827153-1](#) [8N1515-32-24P](#) [9-1326729-8](#) [925474-1](#) [928905-1](#) [964562-4](#) [968782-1](#) [GT17SA-8DS-](#)
[HU](#) [98891-1012](#) [98947-1016](#) [12004147](#) [12004475-L](#) [12010290](#) [12010309-B](#) [12015454](#) [12020219-B](#) [12020308](#) [12041318-B](#) [12052225-L](#)
[12052466](#) [12059125](#) [12064869](#) [12004327-B](#) [12010503-B](#) [12015308](#) [12015384](#) [12015909](#) [1-21030-1](#) [12041254](#) [12041318](#) [12047946-B](#)
[12047957](#) [12047957-L](#) [12059473](#) [12066261](#)