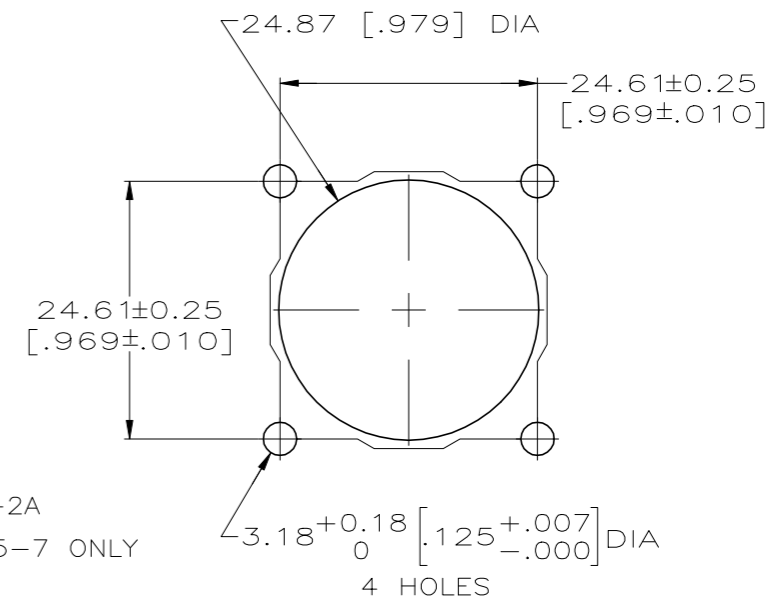
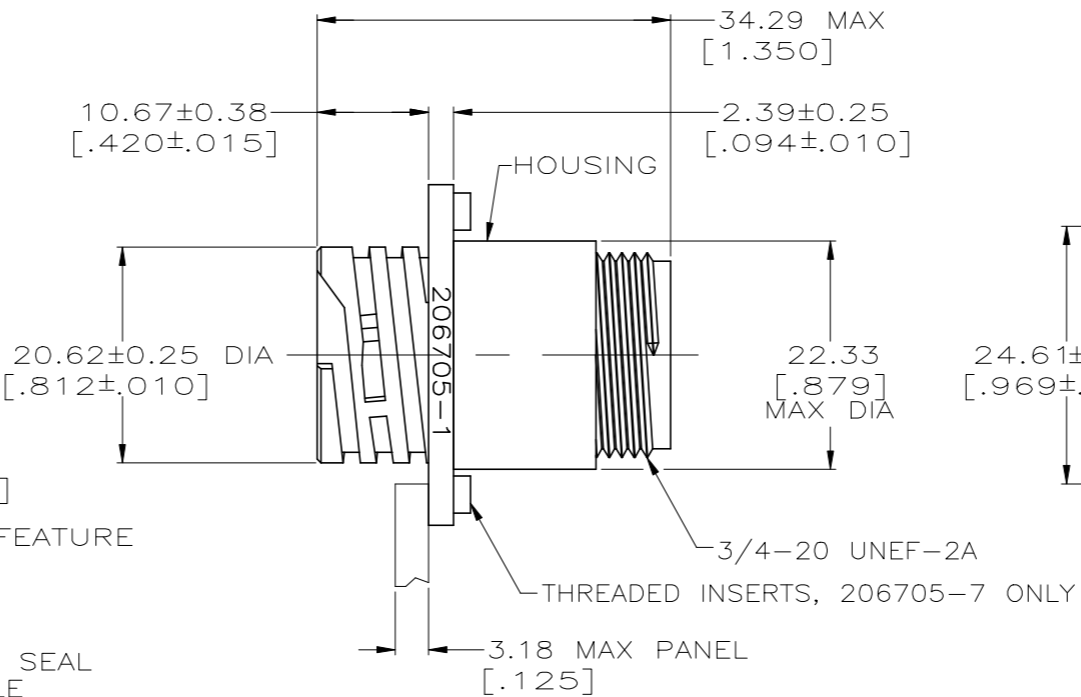
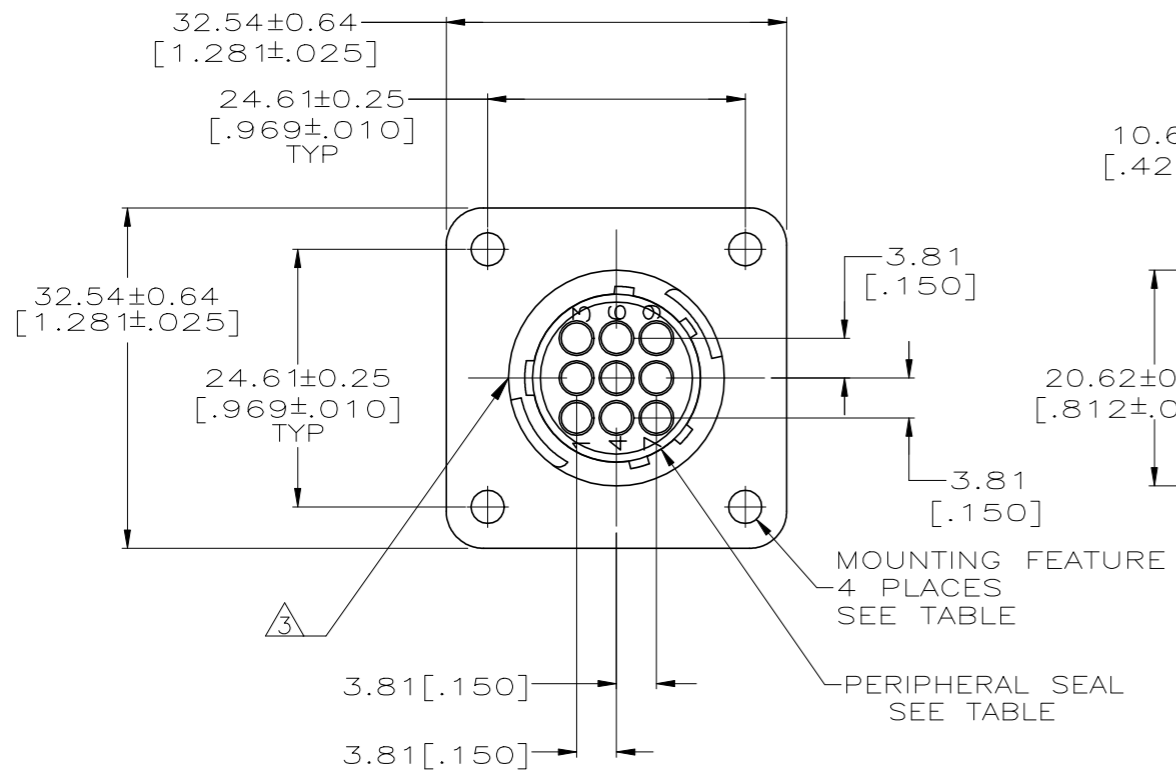
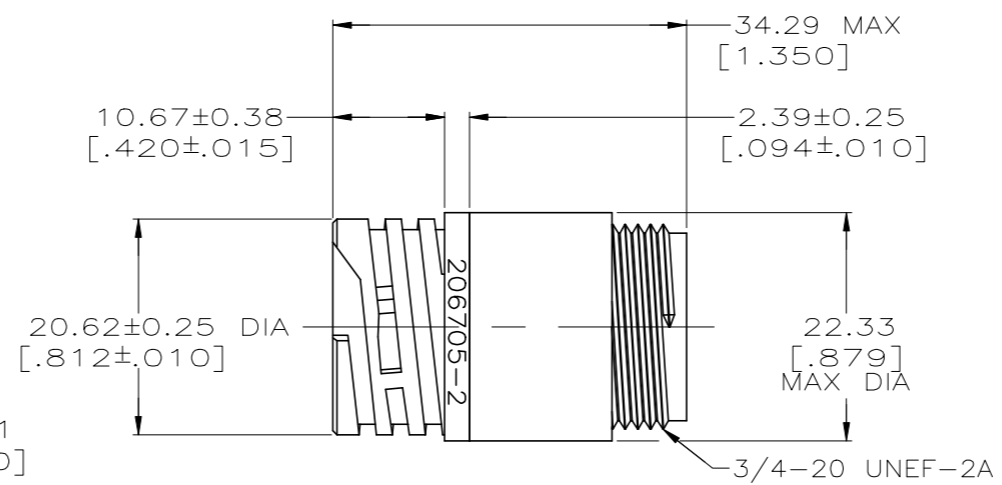
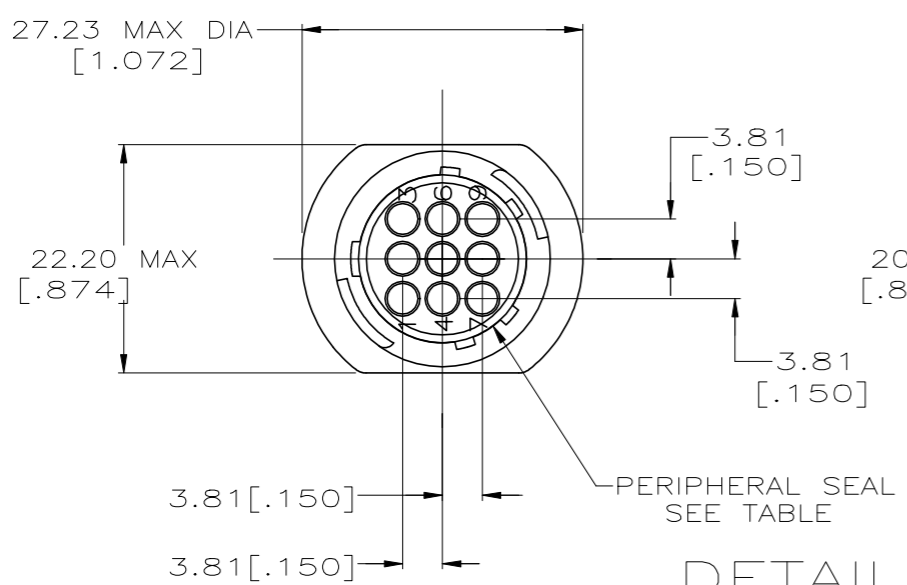


REVISIONS				
P	LTR	DESCRIPTION	DATE	APVD
M		REVISED PER ECO-12-015521	28SEP12	KH MZ
N		REVISED PER ECO-17-000037	10MAR2017	RS MZ
P		REVISED PER ECO-19-014836	21OCT2019	RS MZ



DETAIL A



DETAIL B

MOUNTING FEATURE	NOTES	PERIPHERAL SEAL	SEE DETAIL	PART NUMBER
#4-40 THREADED INSERTS Ø3.18 (.125) HOLES	3	NO	A	206705-7
	-	NO	A	206705-5
	-	YES	B	206705-4
	-	YES	A	206705-3
Ø3.18 (.125) HOLES	-	NO	B	206705-2
	-	NO	A	206705-1

- 1 CAVITY IDENTIFICATION ON FRONT AND REAR FACE.
- 2 RECEPTACLE WILL ACCEPT NINE (9) MULTIMATE PIN CONTACTS.
- 3 WHITE DOT OVER MAJOR KEY, APPROX WHERE SHOWN.
- 4 OBSOLETE PART NUMBER.
- 5 MATERIALS
 HOUSING: PA66, BLACK
 PERIPHERAL SEAL: NITRILE BUTADIENE RUBBER, BLACK
 THREADED INSERTS: BRASS

THIS DRAWING IS A CONTROLLED DOCUMENT. DWN D.HARDY 05/19/94
 CHK R.STONE 05/20/94

TE Connectivity

RECEPTACLE HOUSING, STANDARD
 SEX, SHELL SIZE 13, CPC

PRODUCT SPEC: 108-10024
 APPLICATION SPEC: -

SIZE: A2 CAGE CODE: 00779 DRAWING NO: C=206705 RESTRICTED TO: -

MATERIAL: 5 FINISH: - WEIGHT: -

CUSTOMER DRAWING SCALE: 2:1 SHEET: 1 of 1 REV: P

X-ON Electronics

Largest Supplier of Electrical and Electronic Components

Click to view similar products for [Standard Circular Connector](#) category:

Click to view products by [TE Connectivity](#) manufacturer:

Other Similar products are found below :

[5M2530B10P](#) [600259N006](#) [600273N007](#) [6134-336-13149](#) [6134-337-11149](#) [6134-337-2390](#) [6134-341-17149](#) [6280-4SG-516](#) [6280-7SG-3DC](#)
[6290](#) [6291A](#) [66200A-10](#) [680-SMG](#) [681-PMG](#) [CXS3102A14S2P](#) [CXS3102A181S](#) [7251-5SG-300](#) [7271-6SG-300](#) [7282-3PG-300-CH3](#) [75-](#)
[474618-01S](#) [75-474618-04P](#) [75-474618-04S](#) [799539-000](#) [MI8-SE](#) [805-005-07NF11-19PC](#) [805-005-07NF15-7PA](#) [8280-4PG-516](#) [8280-7PG-](#)
[519](#) [8282-5PG-519](#) [836783-1](#) [MP-4102-25P-C](#) [862256-1](#) [864019-2](#) [866857-1](#) [867865-1](#) [PT01SP-14-18P](#) [PT08P-14-5S](#) [PTSF06SE-14-12S](#)
[120-1833-000](#) [QCM019PC2DC012B](#) [1-2069279-1](#) [121583-0217](#) [121667-0020](#) [129591AU](#) [1000B BULK](#) [RD10A16-19-P6CS051/1](#)
[RD10A20-31-P8CS051/1](#) [RD16A14-12-S6CS051/2](#) [1301240290](#) [1301240347](#) [1301860202](#)