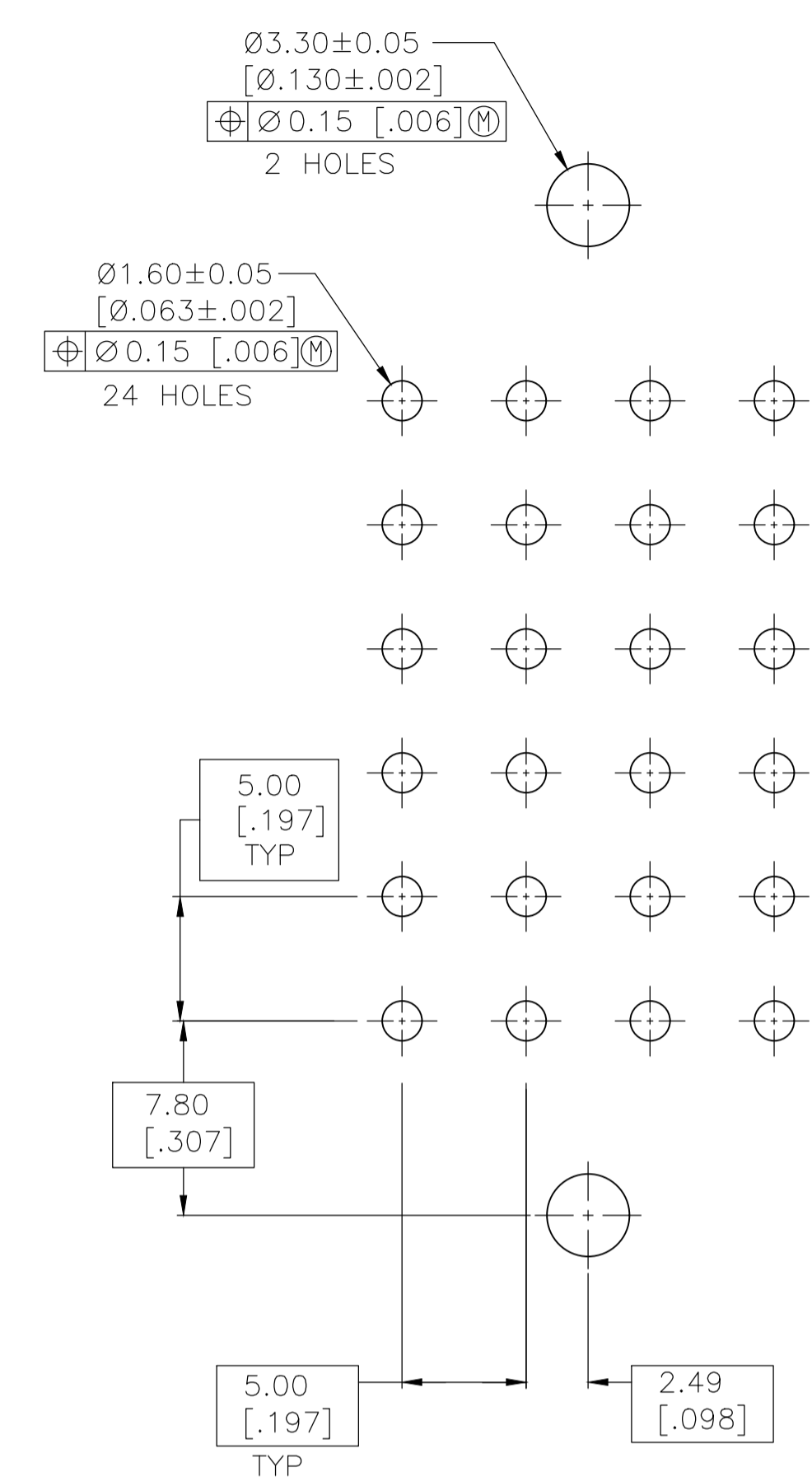
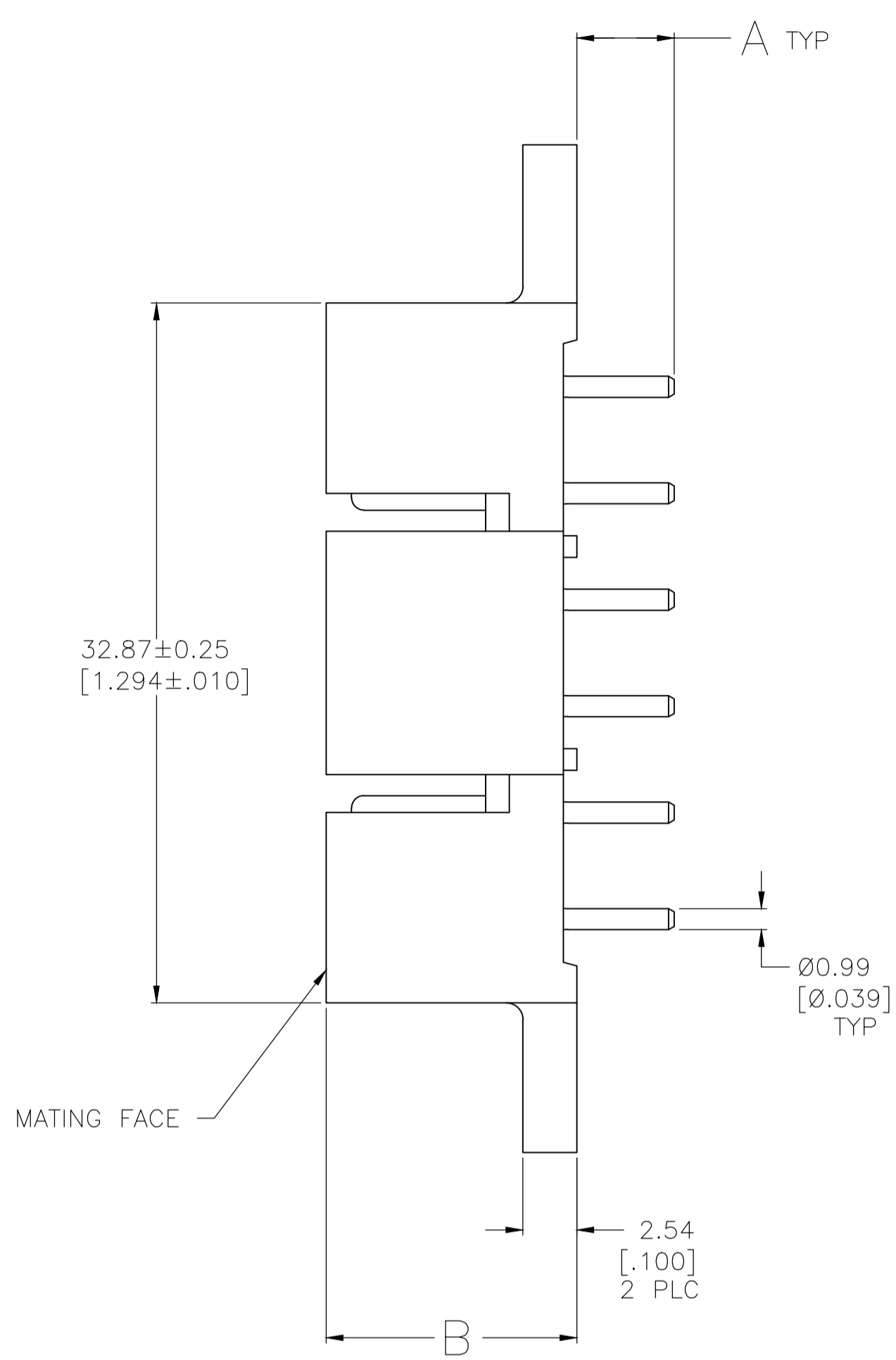
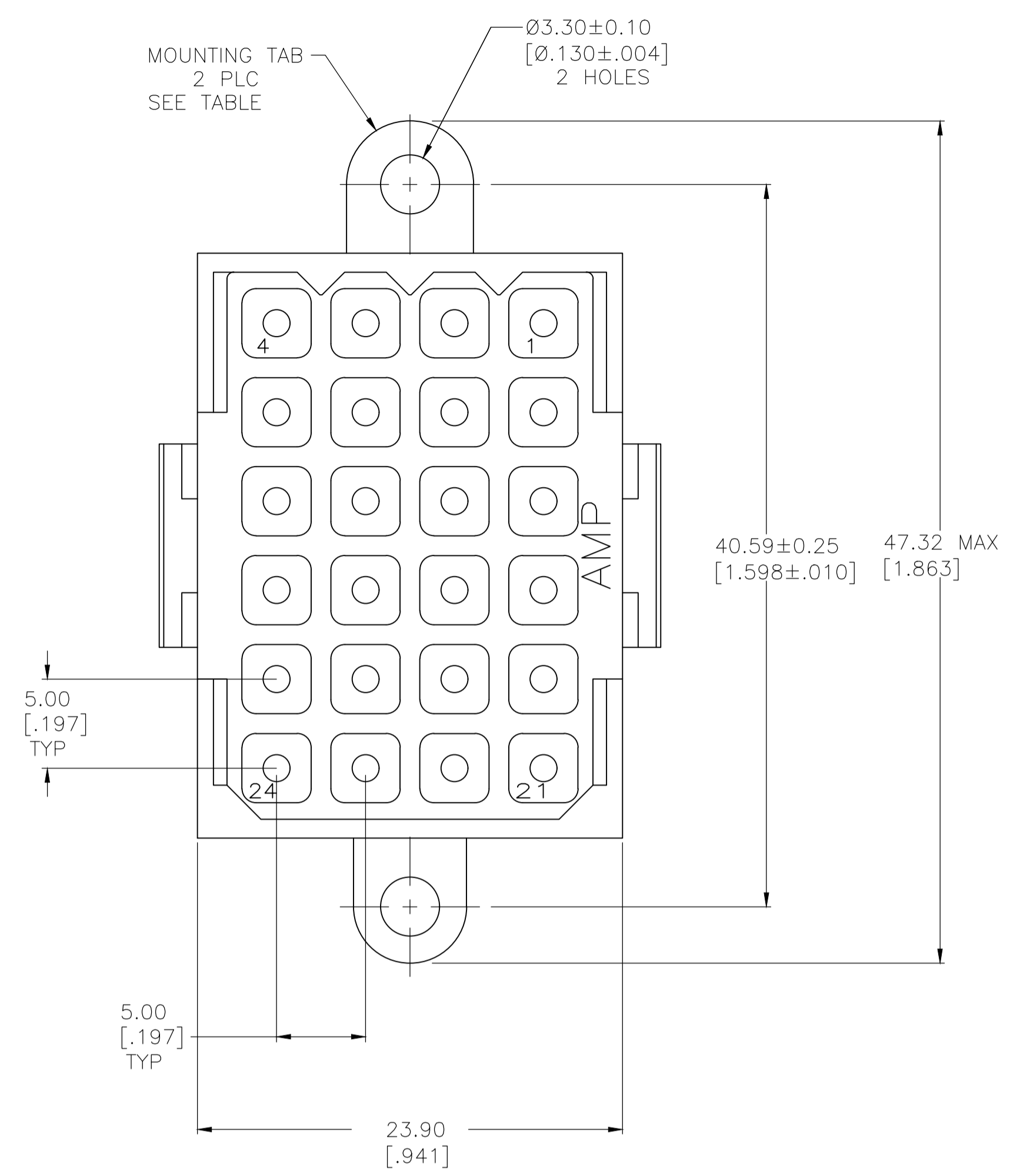
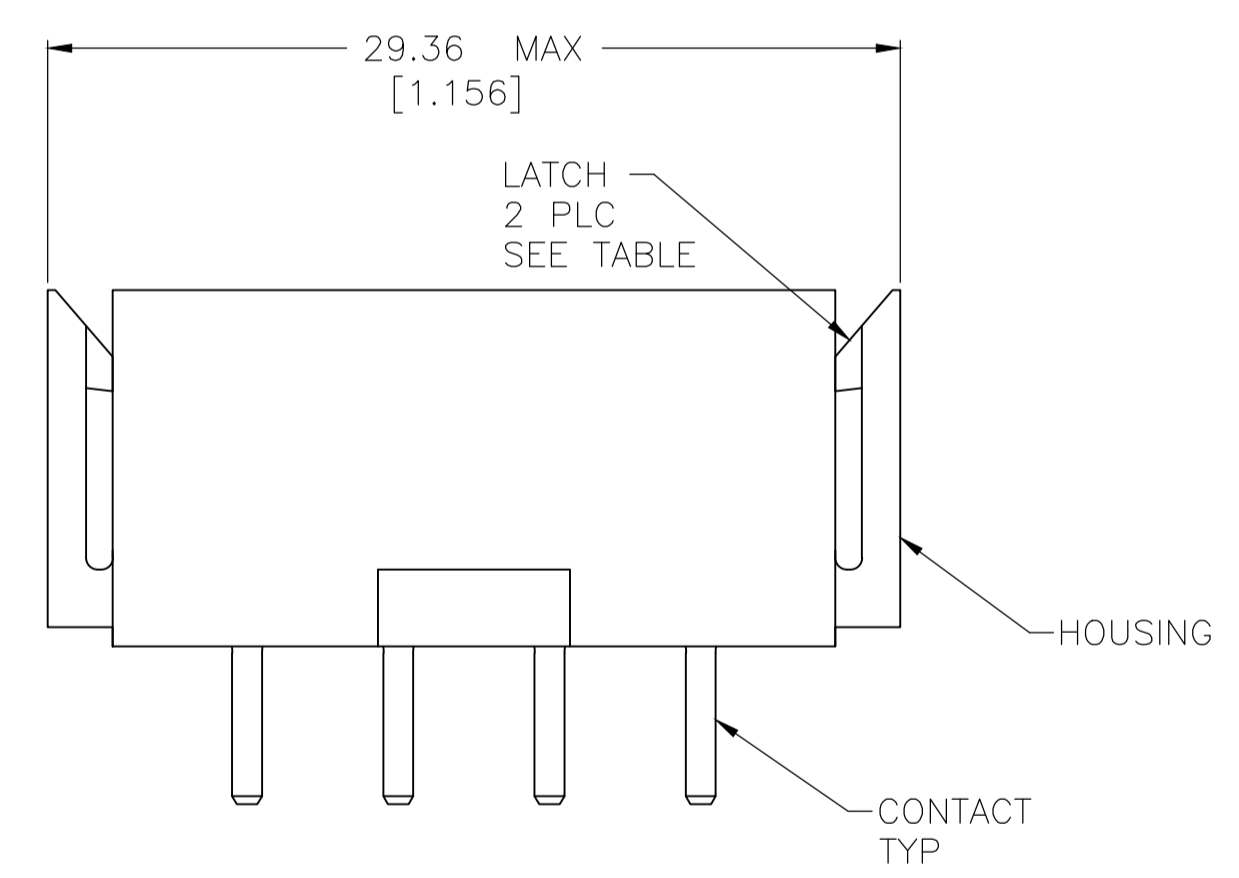


REVISIONS					
P	LTR	DESCRIPTION	DATE	DMN	APVD
AA	REVISED PER ECO-16-011265		12AUG2016	NK	MZ
AB	REV PER ECO-18-000441		23JAN2018	RS	MZ
AC	REVISED PER ECO-20-002045		13FEB2020	RK	MZ



RECOMMENDED PC BOARD LAYOUT



- 1 HOUSING MATERIAL: PA66, BLACK, UL 94 V-0 RATED
- 2 CONTACT MATERIAL: BRASS PER ASTM B36
- 3 3.81um [0.000150] MIN TIN-LEAD OVER 2.54um [0.000100] MIN COPPER OR 1.27um [0.000050] MIN NICKEL.
- 4 0.76um [0.000030] MIN GOLD FOR A LENGTH OF 5.08 [0.200] FROM MATING END, 3.81um [0.000150] MIN TIN-LEAD FOR A LENGTH OF 4.83 [0.190] MIN FROM OPPOSITE END, BOTH OVER 1.27um [0.000050] MIN NICKEL.
- 5 0.38um [0.000015] MIN GOLD FOR A LENGTH OF 5.08 [0.200] FROM MATING END, 3.81um [0.000150] MIN TIN-LEAD FOR A LENGTH OF 4.83 [0.190] MIN FROM OPPOSITE END, BOTH OVER 1.27um [0.000050] MIN NICKEL.
- 6 .000150 MIN TIN OVER .000100 MIN COPPER OR .000050 MIN NICKEL.
- 7 0.76um [0.000030] MIN GOLD FOR A LENGTH OF 5.08 [0.200] FROM MATING END, 3.81um [0.000150] MIN TIN FOR A LENGTH OF 4.83 [0.190] MIN FROM OPPOSITE END, BOTH OVER 1.27um [0.000050] MIN NICKEL.

	11.79[.464]	4.60±0.64[.181±.025]	YES	7	NO	1-206763-4
	11.79[.464]	4.60±0.64[.181±.025]	YES	7	YES	1-206763-3
	11.79[.464]	4.60±0.64[.181±.025]	YES	6	NO	1-206763-2
	11.79[.464]	4.60±0.64[.181±.025]	YES	6	YES	1-206763-1
OBSOLETE	11.79[.464]	4.60±0.64[.181±.025]	NO	5	YES	206763-9
OBSOLETE	13.31[.524]	4.60±0.64[.181±.025]	YES	3	NO	206763-8
OBSOLETE	11.79[.464]	4.60±0.64[.181±.025]	YES	4	NO	206763-4
OBSOLETE	11.79[.464]	4.60±0.64[.181±.025]	YES	4	YES	206763-3
OBSOLETE	11.79[.464]	4.60±0.64[.181±.025]	YES	3	NO	206763-2
OBSOLETE	11.79[.464]	4.60±0.64[.181±.025]	YES	3	YES	206763-1

THIS DRAWING IS A CONTROLLED DOCUMENT.

DIMENSIONS: mm [INCHES]	TOLERANCES UNLESS OTHERWISE SPECIFIED:	DIN L/SIDE 03/11/92	APVD R.STONE 3-17-92	NAME
0 PLC ± -	1 PLC ± -	2 PLC ± 0.13 [0.005]	3 PLC ± -	4 PLC ± -
CONTACT: SEE TABLE				
MATERIAL		PIN HEADER ASSEMBLY, 24 POSITION, METRIMATE 108-10033		
FINISH		SIZE	CAGE CODE	DRAWING NO
		A1	00779	206763
CUSTOMER DRAWING		SCALE	SHEET	REV
		4:1	1 OF 1	AC

## X-ON Electronics

Largest Supplier of Electrical and Electronic Components

*Click to view similar products for [Headers & Wire Housings](#) category:*

*Click to view products by [TE Connectivity](#) manufacturer:*

Other Similar products are found below :

[95000-104TRLF](#) [10135584-644402LF](#) [DF62W-EP2022PCA](#) [95000-106TRLF](#) [DF62W-2022SCA](#) [DF62W-EP2022PC](#) [2203348](#) [DF62W-2022SC](#) [1084018](#) [1029039](#) [1084017](#) [802-10-012-10-002000](#) [1112640](#) [1112639](#) [000-34000](#) [0009482033](#) [0009507031](#) [57102-S06-03LF](#) [57202-S52-04LF](#) [PCN6-15S-2.5E](#) [0039019024](#) [58102-G61-06LF](#) [582553-1](#) [0009508121](#) [0050291907](#) [018731A](#) [LY20-4P-DT1-P1E-BR](#) [02.125.8002.8](#) [60101931](#) [60598-1 \(Cut Strip\)](#) [M1625-3R/100](#) [61062-3](#) [61082-181009](#) [636-1427](#) [638009-1](#) [641938-9](#) [641991-4](#) [644168-1](#) [647662-1](#) [65039-019ELF](#) [65817-002LF](#) [65817-015LF](#) [65863-015LF](#) [66207-023LF](#) [67016-026LF](#) [67046-001LF](#) [67095-007LF](#) [68002-116](#) [68016-236H](#) [68648-049](#)