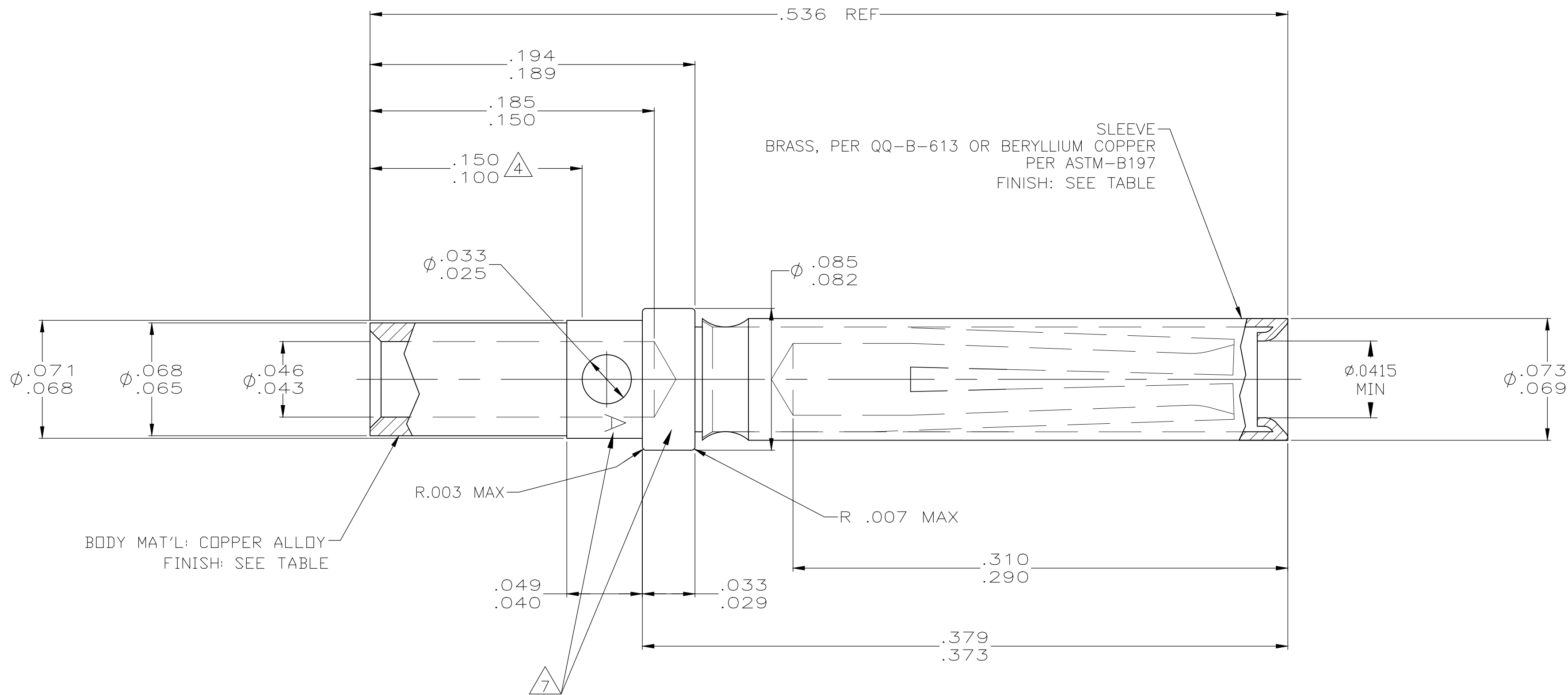
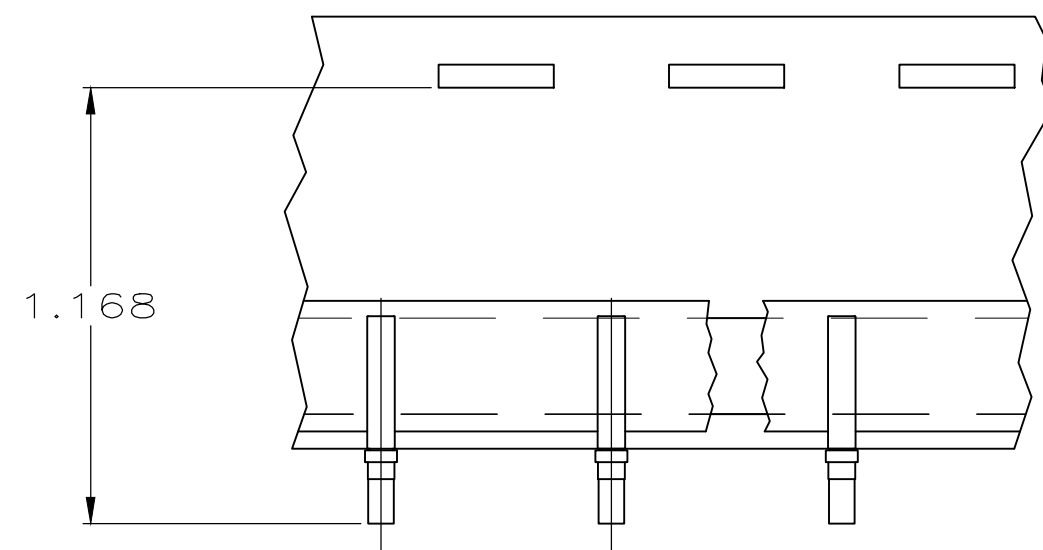


REVISIONS					
P	LTR	DESCRIPTION	DATE	DWN	APVD
M		REV PER ECO 20-007904	11-25-20	CT	DM



1. CONTACTS QUALIFIED TO GSFC-S-311-P-4/10, NASA P/N G-10-S1
2. ALL DIAMETERS ARE CONCENTRIC WITH EACH OTHER WITHIN .004 T.I.R.
3. ALL SURFACES HAVE $\sqrt{63}$ OR BETTER FINISH.
4. POINT OF PLATING THICKNESS MEASUREMENT.
5. SLEEVE MAY BE CRIMPED OR DIMPLED TO BODY.
6. MINIMUM SEPERATION FORCE OF 7 OZ USING A .039 PIN AND 4 OZ MAX ENGAGEMENT FORCE USING A .041 PIN.
7. OPTIONAL LOCATION FOR STAMPED LETTER "A"
8. PLATING: GOLD PER ASTM-B-488 (TYPEII) OVER COPPER PER AMS 2418, .000050 MIN THK.
9. PLATING: GOLD PER ASTM-B-488 (TYPEII) OVER NICKEL PER AMS-QQ-N-290.
10. CONTACTS MEET REQUIREMENTS OF AS39029/63-368
11. RESTRICTED PART NUMBER.



TAPE MOUNTED
PART NO 206793-2 ONLY
SCALE 2:1

FINISH	DESCRIPTION	PART NO
11		1-206793-1
9	AS SHOWN	206793-4
8	SAME AS -1 EXCEPT 6	206793-3
8	SAME AS -1 EXCEPT TAPE MOUNTED 5,000 CONTACTS PER REEL	206793-2
8	AS SHOWN	206793-1

THIS DRAWING IS A CONTROLLED DOCUMENT.		DWN C.C.THOMAS 11-20-02		
DIMENSIONS: INCHES		CHK D.MILLER 11-20-02		
TOLERANCES UNLESS OTHERWISE SPECIFIED:		APVD D.MILLER 11-20-02	NAME	
0 PLC ± -		PRODUCT SPEC	SOCKET CONTACT ASSY, SIZE 20, AMPLIMITE	
1 PLC ± -		APPLICATION SPEC	SIZE	CAGE CODE
2 PLC ± -			A2	00779
3 PLC ± -			DRAWING NO	RESTRICTED TO
4 PLC ± -			C=206793	
ANGLES ± -		WEIGHT 0.000000	SCALE 20:1	SHEET 1 OF 1
MATERIAL SEE CALLOUT		CUSTOMER DRAWING	REV M	

X-ON Electronics

Largest Supplier of Electrical and Electronic Components

Click to view similar products for [D-Sub Contacts](#) category:

Click to view products by [TE Connectivity](#) manufacturer:

Other Similar products are found below :

[D02-22-26S-10000](#) [8656352067LF](#) [131A15029X](#) [132A11019X](#) [132J22039X](#) [132A11029X](#) [132A11049X](#) [132A12059X](#) [1757912-1](#) [188582-000](#) [162A11889X](#) [1757913-1](#) [212558-1](#) [030-1955-000](#) [053744-0098](#) [053744-0099](#) [053745-0105](#) [053745-0111](#) [601098N003](#) [86303057NLF](#) [131A11019X](#) [162A11819X](#) [40-9854MP](#) [1-208778-5](#) [FC120N2](#) [MC7526D/AA](#) [MC8122D/AA](#) [FC4010D-15](#) [FC4006D](#) [121A05329A](#) [164C16669X](#) [86566620064LF](#) [131A13019X](#) [DLS3XS5AK40X](#) [09692825723](#) [030-1954-000](#) [L17DM53744207](#) [L17RRD1M11400](#) [030-1952-000](#) [1655496](#) [030-1953-000](#) [030-1953-030](#) [132C11039X](#) [132J15019X](#) [132C15019X](#) [132A10039X](#) [131A10029X](#) [8638PSC2006LF](#) [8656453067LF](#) [86566520064LF](#)