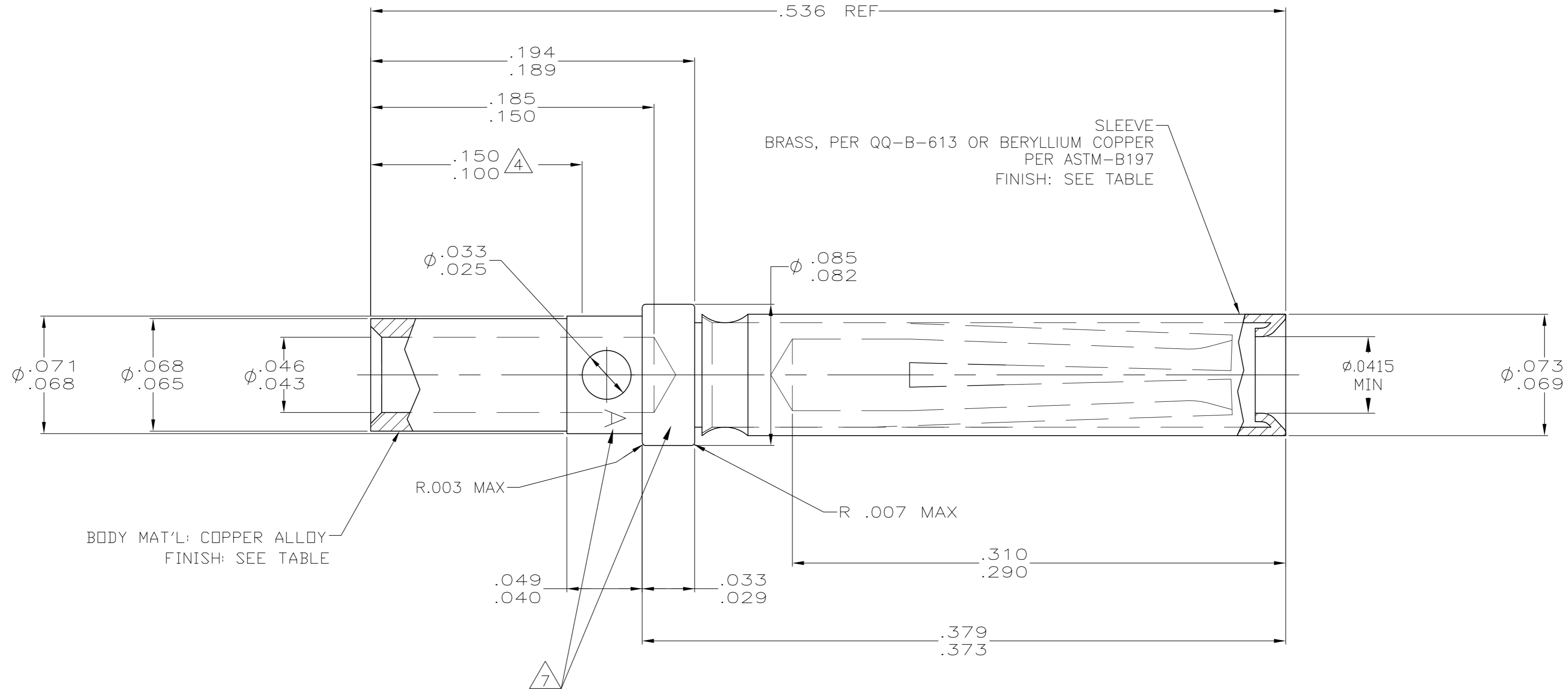
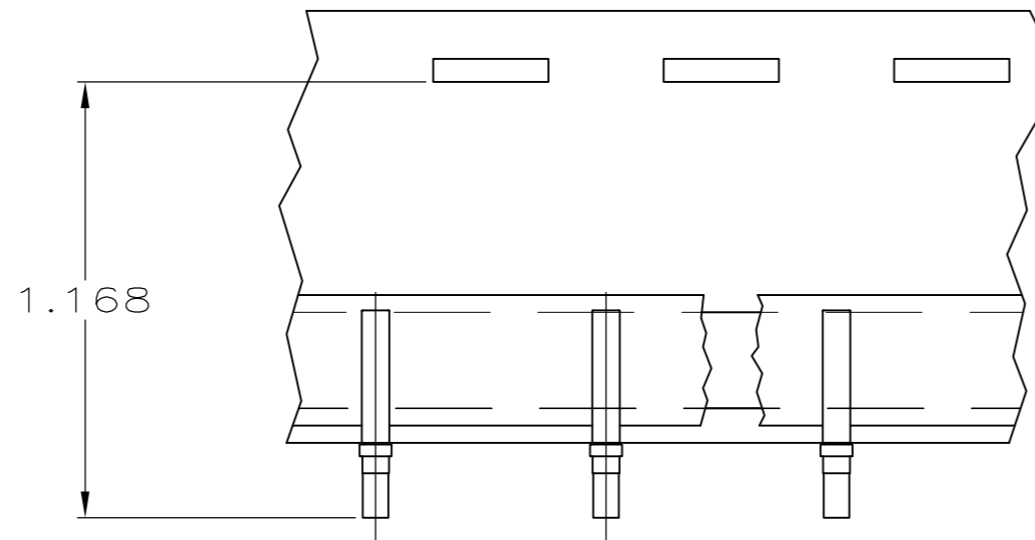


THIS DRAWING IS UNPUBLISHED. RELEASED FOR PUBLICATION
 © COPYRIGHT - By - ALL RIGHTS RESERVED.

REVISIONS				
P	LTR	DESCRIPTION	DATE	APVD
L		REV PER ECO 17-010242	8-8-17	CT DM



- CONTACTS QUALIFIED TO GSFC-S-311-P-4/10, NASA P/N G-10-S1
- ALL DIAMETERS ARE CONCENTRIC WITH EACH OTHER WITHIN .004 T.I.R.
- ALL SURFACES HAVE $\sqrt{63}$ OR BETTER FINISH.
- POINT OF PLATING THICKNESS MEASUREMENT.
- SLEEVE MAY BE CRIMPED OR DIMPLED TO BODY.
- MINIMUM SEPERATION FORCE OF 7 OZ USING A .039 PIN AND 4 OZ MAX ENGAGEMENT FORCE USING A .041 PIN.
- OPTIONAL LOCATION FOR STAMPED LETTER "A"
- PLATING: GOLD PER ASTM-B-488 (TYPEII) OVER COPPER PER MIL-C-14550, CLASS 4.
- PLATING: GOLD PER ASTM-B-488 (TYPEII) OVER NICKEL PER AMS-QQ-N-290.
- CONTACTS MEET REQUIREMENTS OF AS39029/63-368
- RESTRICTED PART NUMBER.



TAPE MOUNTED
 PART NO 206793-2 ONLY
 SCALE 2:1

FINISH	DESCRIPTION	PART NO
11		1-206793-1
9	AS SHOWN	206793-4
OBSOLETE	SAME AS -1 EXCEPT 6	206793-3
1	SAME AS -1 EXCEPT TAPE MOUNTED 5,000 CONTACTS PER REEL	206793-2
1	AS SHOWN	206793-1

THIS DRAWING IS A CONTROLLED DOCUMENT.

DWN	C.C.THOMAS	11-20-02
CHK	D.MILLER	11-20-02
APVD	D.MILLER	11-20-02
PRODUCT SPEC		
APPLICATION SPEC		
WEIGHT	0.000000	
CUSTOMER DRAWING		

TE Connectivity

SOCKET CONTACT ASSY, SIZE 20, AMPLIMITE

SIZE: A2 CAGE CODE: 00779 C=206793 DRAWING NO: 206793 SHEET: 1 OF 1

X-ON Electronics

Largest Supplier of Electrical and Electronic Components

Click to view similar products for [D-Sub Contacts](#) category:

Click to view products by [TE Connectivity](#) manufacturer:

Other Similar products are found below :

[173112-0723](#) [173112-0393](#) [173112-0389](#) [173112-0750](#) [173112-0912](#) [FMP009P104](#) [FMP010P104](#) [FMP010S104](#) [FMP016P104](#)
[FMP016S104](#) [FMP051S110](#) [FMX006S128B](#) [124C25029X](#) [131A11039X](#) [132A11019X](#) [132J22039X](#) [132A11029X](#) [132A12059X](#)
[132C12029X](#) [RMPIR01S02E2RLF](#) [DM53744-1](#) [1757912-1](#) [188582-000](#) [162A11839X](#) [162A11889X](#) [1757913-1](#) [FK20S18-02V_100](#)
[FMP006S110](#) [FMP009S104](#) [FMP139S115](#) [212558-1](#) [D02-22-26P-10000](#) [L17DM53744217](#) [D-610-10CS2820](#) [030-1955-000](#) [030-50634](#)
[053744-0098](#) [053744-0099](#) [053745-0105](#) [053745-0111](#) [601064N004](#) [601098N003](#) [6-745288-2](#) [D-610-10CS2962](#) [86303057NLF](#)
[DM537425001NCLF](#) [131A11019X](#) [173112-0045](#) [162A11819X](#) [1731120397](#)