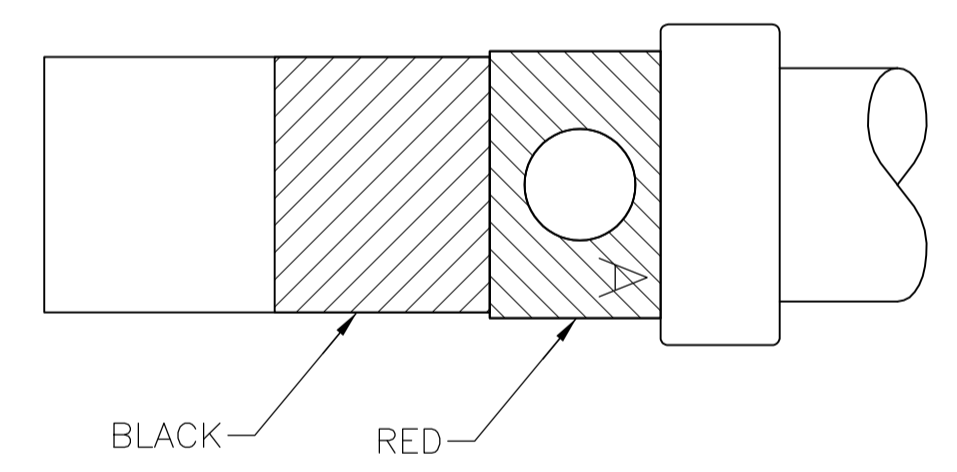
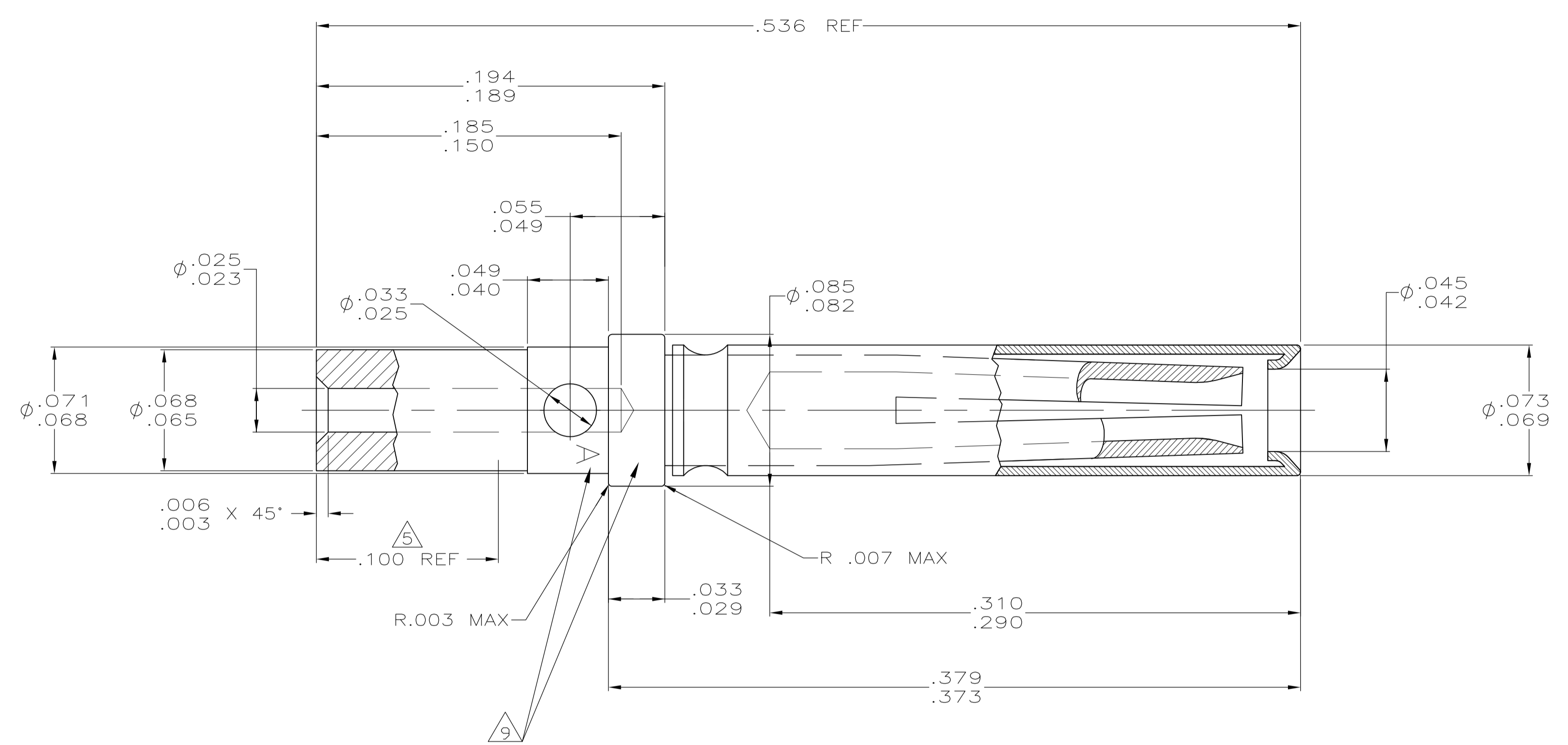
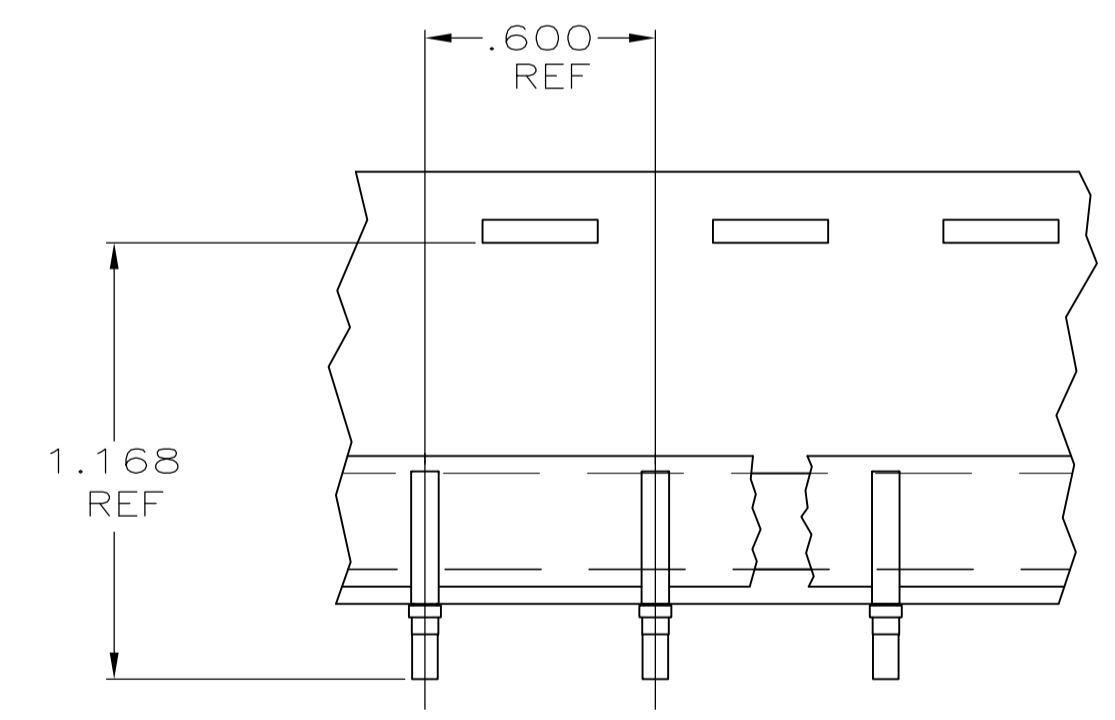


REVISIONS				
P	LTR	DESCRIPTION	DATE	OWN
G		REV PER ECO 16-001182	1-28-16	CT RL



COLOR BANDS
PART NO 206795-3 ONLY



TAPE MOUNTED
PART NO 206795-2 ONLY
SCALE 2:1

1. ALL DIMENSIONS APPLY AFTER PLATING.
2. THIS CONTACT COMPLIES WITH MIL-C-24308/10, EXCEPT WIRE BARREL.
3. ALL DIAMETERS CONCENTRIC WITH EACH OTHER WITHIN .004 T.I.R.
4. ALL SURFACES HAVE $63\sqrt{}$ FINISH OR BETTER UNLESS OTHERWISE SPECIFIED.
5. POINT OF PLATING MEASUREMENT .100 FROM WIRE BARREL END OF CONTACT.
6. SLEEVE MAY BE CRIMPED OR DIMPLED ON TO CONTACT BODY.
7. OPTIONAL LOCATION FOR STAMPED LETTER "A"

RESTRICTED TO SPACE SYSTEMS LORAL	206795-6
RESTRICTED TO SPACE SYSTEMS LORAL	206795-5
SUPERSEDED BY -2 SAME AS -3 EXCEPT TAPE MOUNTED	206795-4
SAME AS -1 EXCEPT COLOR COATED	206795-3
SAME AS -1 EXCEPT TAPE MOUNTED	206795-2
AS SHOWN	206795-1
DESCRIPTION	PART NUMBER

THIS DRAWING IS A CONTROLLED DOCUMENT.

DIMENSIONS: INCHES	TOLERANCES UNLESS OTHERWISE SPECIFIED:	0. PLC ± -	1. PLC ± -	2. PLC ± -	3. PLC ± -	4. PLC ± -	ANGLES ± 2°
MATERIAL SEE CALOUT	FINISH SEE CALOUT	WEIGHT	SIZE	CAGE CODE	DRAWING NO	RESTRICTED TO	
			A1	00779	206795		

CUSTOMER DRAWING SCALE 20:1 SHEET 1 OF 1 REV G

STE TE Connectivity

NAME: SOCKET CONTACT ASSY, SIZE 20 (FOR #26 & #28 WIRE)

X-ON Electronics

Largest Supplier of Electrical and Electronic Components

Click to view similar products for [D-Sub Contacts](#) category:

Click to view products by [TE Connectivity](#) manufacturer:

Other Similar products are found below :

[D02-22-26S-10000](#) [8656352067LF](#) [131A15029X](#) [132A11019X](#) [132J22039X](#) [132A11029X](#) [132A11049X](#) [1757912-1](#) [188582-000](#)
[162A11889X](#) [1757913-1](#) [212558-1](#) [030-1955-000](#) [053744-0098](#) [053744-0099](#) [053745-0105](#) [053745-0111](#) [601098N003](#) [86303057NLF](#)
[131A11019X](#) [162A11819X](#) [40-9854MP](#) [1-208778-5](#) [FC120N2](#) [MC7526D/AA](#) [MC8122D/AA](#) [FC4010D-15](#) [FC4006D](#) [121A05329A](#)
[164C16669X](#) [86566620064LF](#) [C330-8997-101H](#) [131A13019X](#) [DLS3XS5AK40X](#) [09692825723](#) [030-1954-000](#) [L17DM53744207](#)
[L17RRD1M11400](#) [030-1952-000](#) [1655496](#) [030-1953-000](#) [030-1953-030](#) [132C11039X](#) [132J15019X](#) [132C15019X](#) [132C11019X](#)
[132A10039X](#) [131A10029X](#) [8638PSC2006LF](#) [8656453067LF](#)