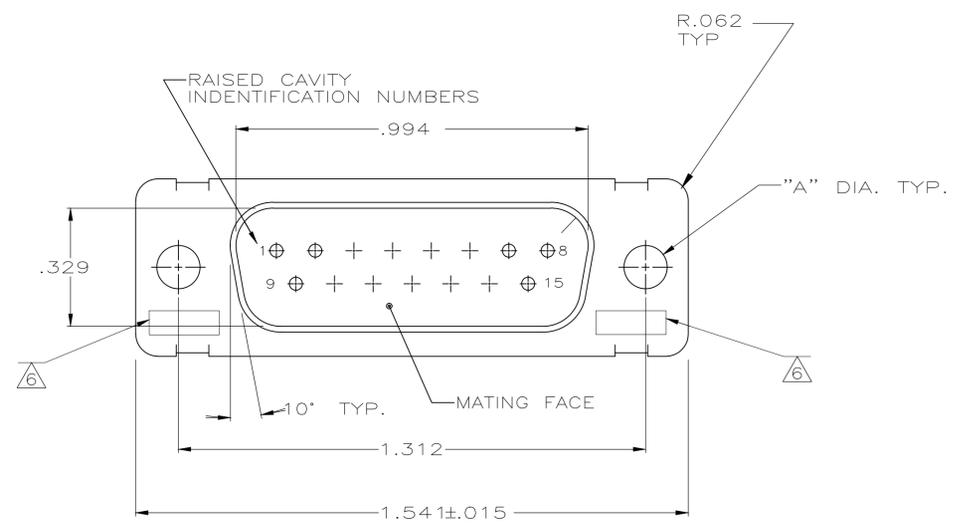
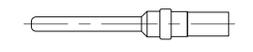


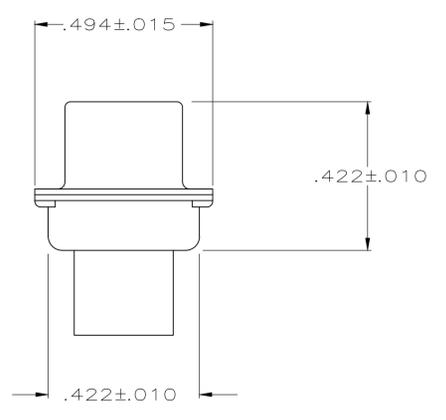
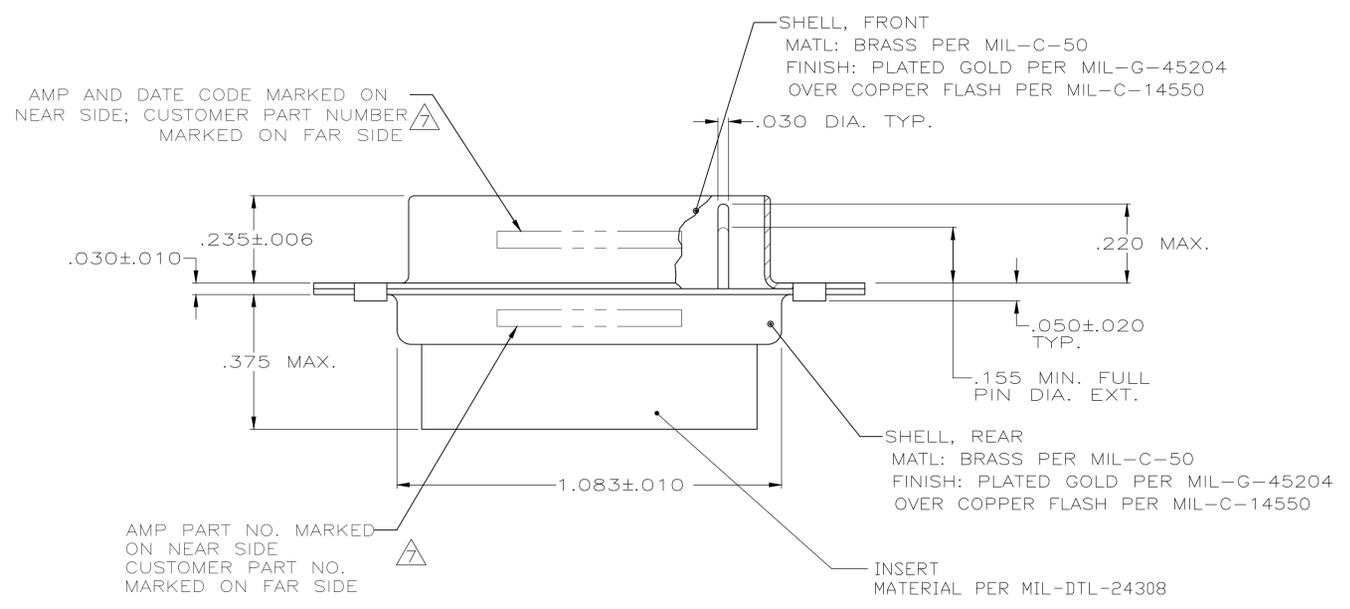
REVISIONS					
P	LTR	DESCRIPTION	DATE	DMN	APVD
R		REV PER ECO 20-009777	10-16-20	CT	DM



- △ THIS PLUG WILL MATE WITH ANY RECEPTACLE CONNECTOR WITH THE SAME INSERT ARRANGEMENT AS DEFINED BY MS18274-1.
- 2. MAXIMUM WIRE INSULATION TO BE USED WITH THIS PLUG IS .072 [1.83] DIA.
- 3. BERYLLIUM COPPER RETENTION CLIPS (15) ARE INCLUDED IN INSERT ASSEMBLY.
- 4. CONNECTOR SUPPLIED WITHOUT CONTACTS; SHOWN FOR ILLUSTRATION ONLY.
- △ THESE CONNECTORS ARE QUALIFIED TO GODDARD SPACE FLIGHT CENTER SPECIFICATION S-311-P-4.
- △ UL/CSA DESIGNATION MARKED IN THIS AREA, OPTIONAL.
- △ CUSTOMER PART NUMBER MAY BE SPLIT BETWEEN FRONT AND REAR SHELL, SAME SIDE. FAR SIDE REFERS TO WIDE SIDE OF KEYSTONE, NEAR SIDE REFERS TO NARROW SIDE OF KEYSTONE.
- △ RESTRICTED TO CAE ELECTRONICS ONLY.
- △ CONTACTS FOR 206798-8 ARE UNASSEMBLED.



CONTACT P/N 205089-1  
 (MIL-39029/64-369) △  
 (SUPPLIED WITH 206798-8 ONLY)  
 QTY = 15



OBSOLETE	△	.120	570513-7	206798-9	206798-9
	△	.120	B41-P10009-0013	206798-8	206798-8
	△	.120	311P409-2P-B-12	206798-2	206798-7
		.120	122137P15P	206798-6	206798-6
		.120	2A014-002V-001	206798-4	206798-4
		.154	-	206798-3	206798-3
	△	.120	311P409-2P-B-12	206798-2	206798-2
	△	.154	311P409-2P-B-15	206798-1	206798-1
REMARKS		DIA A	MARK CUSTOMER P/N	MARK TE P/N	ASSEMBLY NUMBER

THIS DRAWING IS A CONTROLLED DOCUMENT.

DIN T. WIEST 12-9-88  
 CIK A EMADI 12-11-88

TE Connectivity

PLUG FOR PIN CONTACTS  
 SERIES 109, SIZE 2  
 15 POSITION

SIZE: A1 CAGE CODE: 00779 DRAWING NO: 206798  
 WEIGHT: 0.000000

CUSTOMER DRAWING SCALE: 4:1 SHEET: 1 OF 1 REV: R

## X-ON Electronics

Largest Supplier of Electrical and Electronic Components

*Click to view similar products for [D-Sub MIL Spec Connectors](#) category:*

*Click to view products by [TE Connectivity](#) manufacturer:*

Other Similar products are found below :

[M85049/50-5F](#) [D38999/24WG11PB-LC](#) [MDM-9SH006A](#) [1218697-4](#) [D38999/26WJ61PC L/C](#) [1484349-1](#) [17D25HV](#) [1996840-1](#) [243082-15](#)  
[1757682-1](#) [17D-E51218-1](#) [17SDA15S](#) [1883533-1](#) [1883886-1](#) [1883889-1](#) [192900-0377](#) [M24308/8-347](#) [M83513/03-E09C](#) [443961-3](#) [5-](#)  
[1218949-1](#) [550-031NF1R6K](#) [3-1236089-2](#) [550E001NF1R3J0L](#) [550T001NF1R6K0L](#) [557T283NF5B08](#) [DB121073-56](#) [DC121073157](#)  
[443869-3](#) [443869-4](#) [443869-5](#) [550S004NF1R1B0F03](#) [557E283NF1A06](#) [527-019NF0303R2K1F](#) [5-446405-1](#) [550-031NF1R2E](#)  
[550E003M2R9J0F04](#) [550E003M3R9J0F05](#) [550E024M104R9J0](#) [550E024NF102R3J0B](#) [550E039NF1R3J1-02](#) [550S003M3R9B0F05](#)  
[550S004M4R7M0F04](#) [550S004NF1R1B1F02](#) [550S008M3F0K0F04](#) [550S086M5R3J0L](#) [550S100NF3F0E](#) [550T001M2R7E0L](#)  
[550T001NF1F0B1L](#) [550T001NF1R1K0G](#) [550T001NF1R3K0G](#)