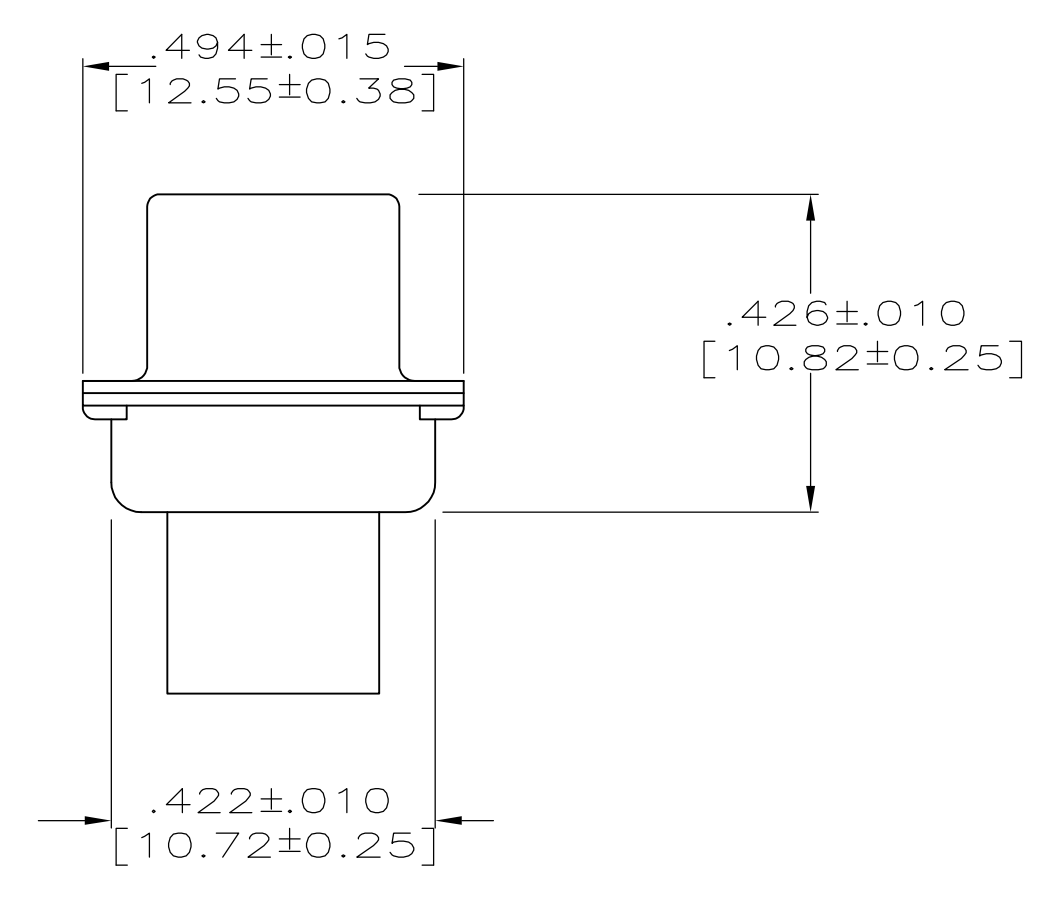
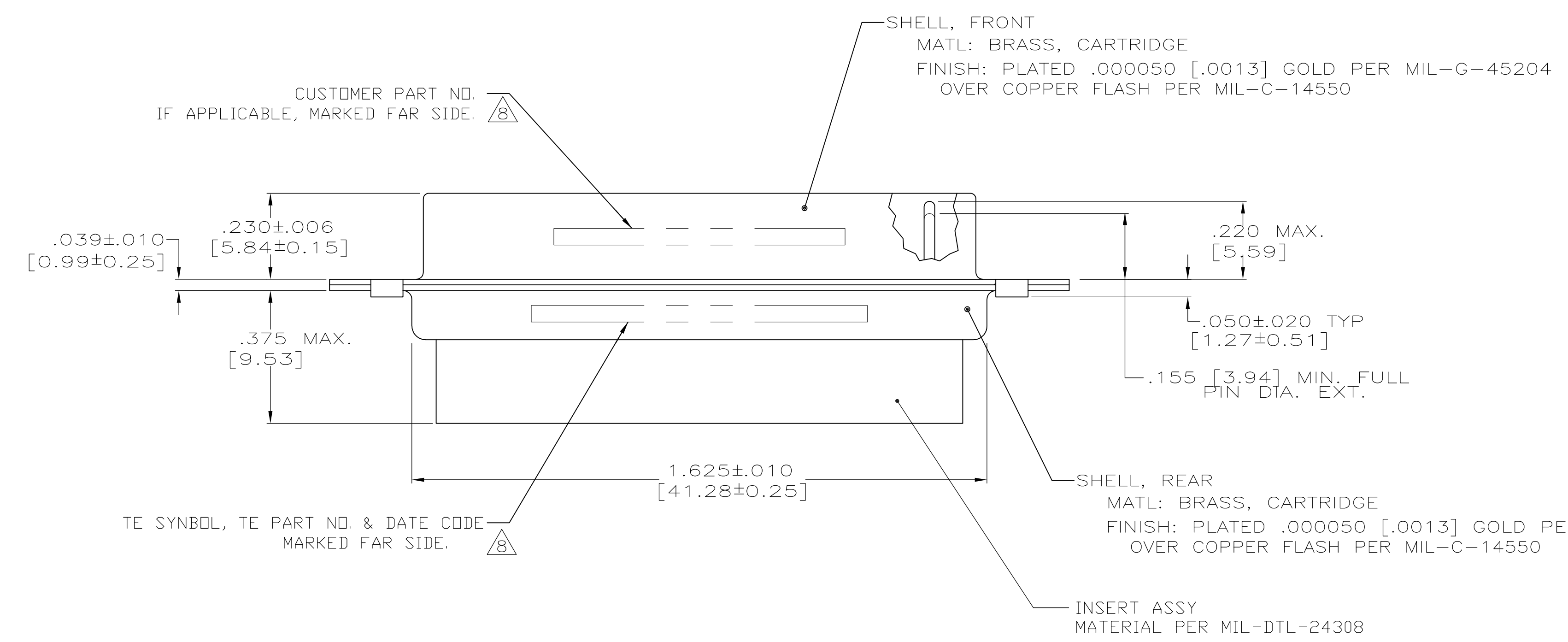
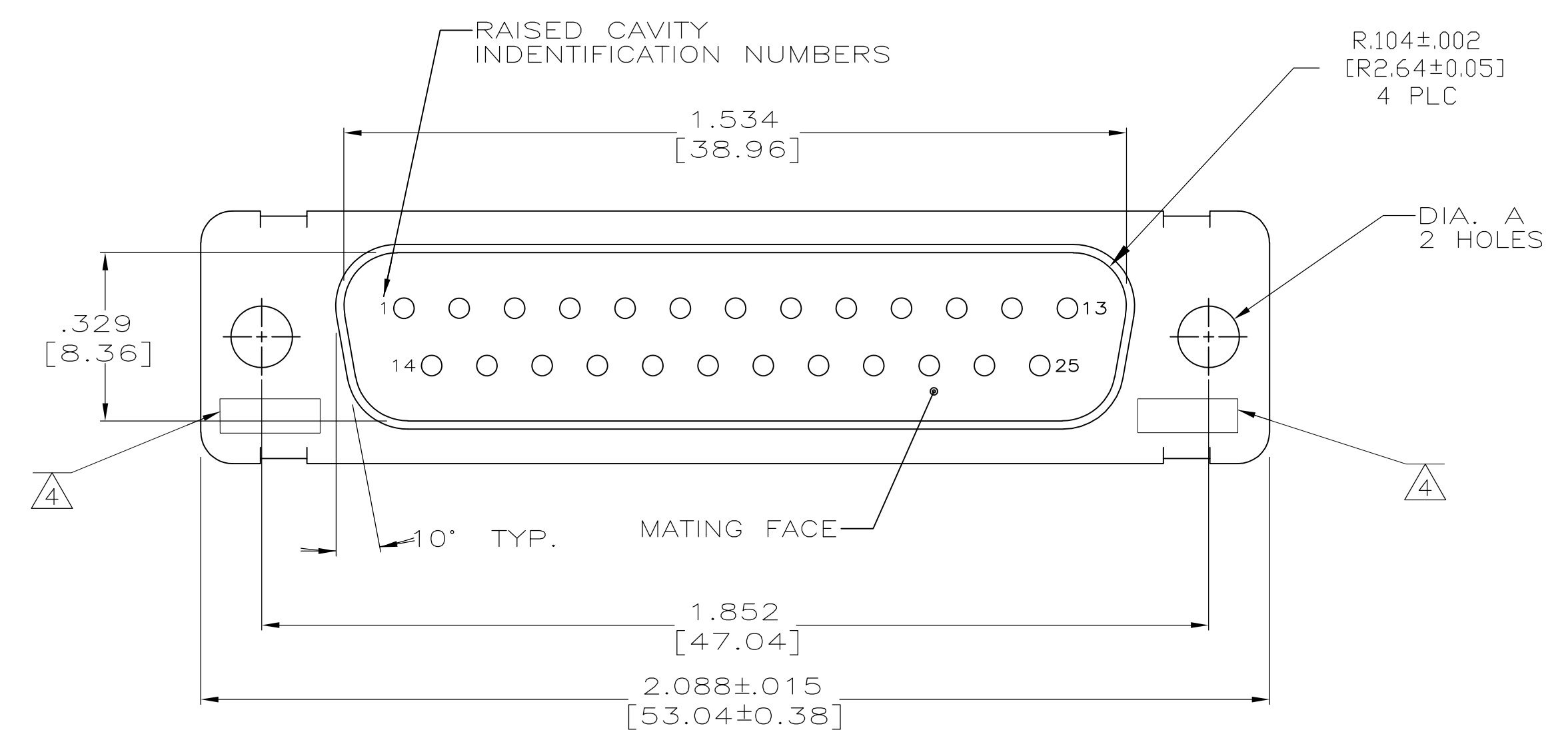


LOC		DIST		REVISIONS			
P	LTR	DESCRIPTION	DATE	DNW	APVD		
P		REV PER ECO 15-016064	11-9-15	CT	CD		

- THIS PLUG WILL MATE WITH ANY RECEPTACLE CONNECTOR WITH SAME INSERT ARRANGEMENT AS DEFINED BY MS18275-1.
- MAXIMUM WIRE INSULATION USED WITH THIS PLUG IS .072 [1.83] DIA. MAX.
- Be-Cu RETENTION CLIPS ARE INCLUDED IN INSERTS.
- UL/CSA DESIGNATION STAMPED IN THIS AREA, OPTIONAL.
- RESTRICTED TO CAE ELECTRONICS ONLY.
- THESE CONNECTORS ARE QUALIFIED TO GODDARD SPACE FLIGHT CENTER SPECIFICATION S-311-P-4.
- CONTACT NOT INCLUDED - SHOWN FOR DIMENSIONAL REFERENCE ONLY.
- FAR SIDE REFERS TO WIDE SIDE OF KEYSTONE.



REMARKS	DIA A	CUSTOMER P/N ON CONNECTOR	TE P/N ON CONNECTOR	AMP P/N
SUPERSEDED BY 1996076-3	.120 [3.05]	8333648P4	206800-8	206800-8
	.120 [3.05]	570513-8	206800-7	206800-7
	.120 [3.05]	311P409-3P-B-12	206800-2	206800-6
OBSOLETE	.120 [3.05]	---	206800-5	206800-5
OBSOLETE	.120 [3.05]	2A014-003V-001	206800-4	206800-4
	.154 [3.91]	---	206800-3	206800-3
	.120 [3.05]	311P409-3P-B-12	206800-2	206800-2
	.154 [3.91]	311P409-3P-B-15	206800-1	206800-1

THIS DRAWING IS A CONTROLLED DOCUMENT.

DIMENSIONS: INCHES	TOLERANCES UNLESS OTHERWISE SPECIFIED:	DIN M. CLOUSER 1-3-89	APVD A. EMADI 1-6-89
0 PLC ± -	1 PLC ± -	2 PLC ± -	3 PLC ± .005 [0.13]
4 PLC ± -	ANGLES ± 0°30'	NAME: AMPLIMITE NONMAGNETIC PLUG ASSEMBLY WITHOUT SIZE 20 PIN CONTACTS, SERIES 109, SHELL SIZE 3, 25 POSITION	
MATERIAL: SEE CALLOUTS	FINISH: SEE CALLOUTS	WEIGHT: ---	SIZE: A1 00779 C=206800
CUSTOMER DRAWING		SCALE: 4:1	SHEET 1 OF 1 REV P

STE TE Connectivity

X-ON Electronics

Largest Supplier of Electrical and Electronic Components

Click to view similar products for [D-Sub MIL Spec Connectors](#) category:

Click to view products by [TE Connectivity](#) manufacturer:

Other Similar products are found below :

[M85049/50-5F](#) [850-056-0812](#) [1218697-4](#) [1484349-1](#) [17D25HV](#) [1996840-1](#) [243082-15](#) [1757682-1](#) [17D-E51218-1](#) [17SDA15S](#) [1883533-1](#)
[1883886-1](#) [1883889-1](#) [192900-0377](#) [M24308/8-347](#) [M83513/03-E09C](#) [443961-3](#) [5-1218949-1](#) [550-031NF1R6K](#) [3-1236089-2](#)
[550E001NF1R3J0L](#) [550T001NF1R6K0L](#) [557T283NF5B08](#) [DB121073-56](#) [DC121073157](#) [443869-3](#) [443869-4](#) [443869-5](#)
[550S004NF1R1B0F03](#) [557E283NF1A06](#) [527-019NF0303R2K1F](#) [5-446405-1](#) [550-031NF1R2E](#) [550E003M2R9J0F04](#) [550E003M3R9J0F05](#)
[550E024M104R9J0](#) [550E024NF102R3J0B](#) [550E039NF1R3J1-02](#) [550S003M3R9B0F05](#) [550S004M4R7M0F04](#) [550S004NF1R1B1F02](#)
[550S008M3F0K0F04](#) [550S086M5R3J0L](#) [550S100NF3F0E](#) [550T001M2R7E0L](#) [550T001NF1F0B1L](#) [550T001NF1R1K0G](#)
[550T001NF1R3K0G](#) [550T001NF1R4K0L](#) [550T001NF2R2K0L](#)