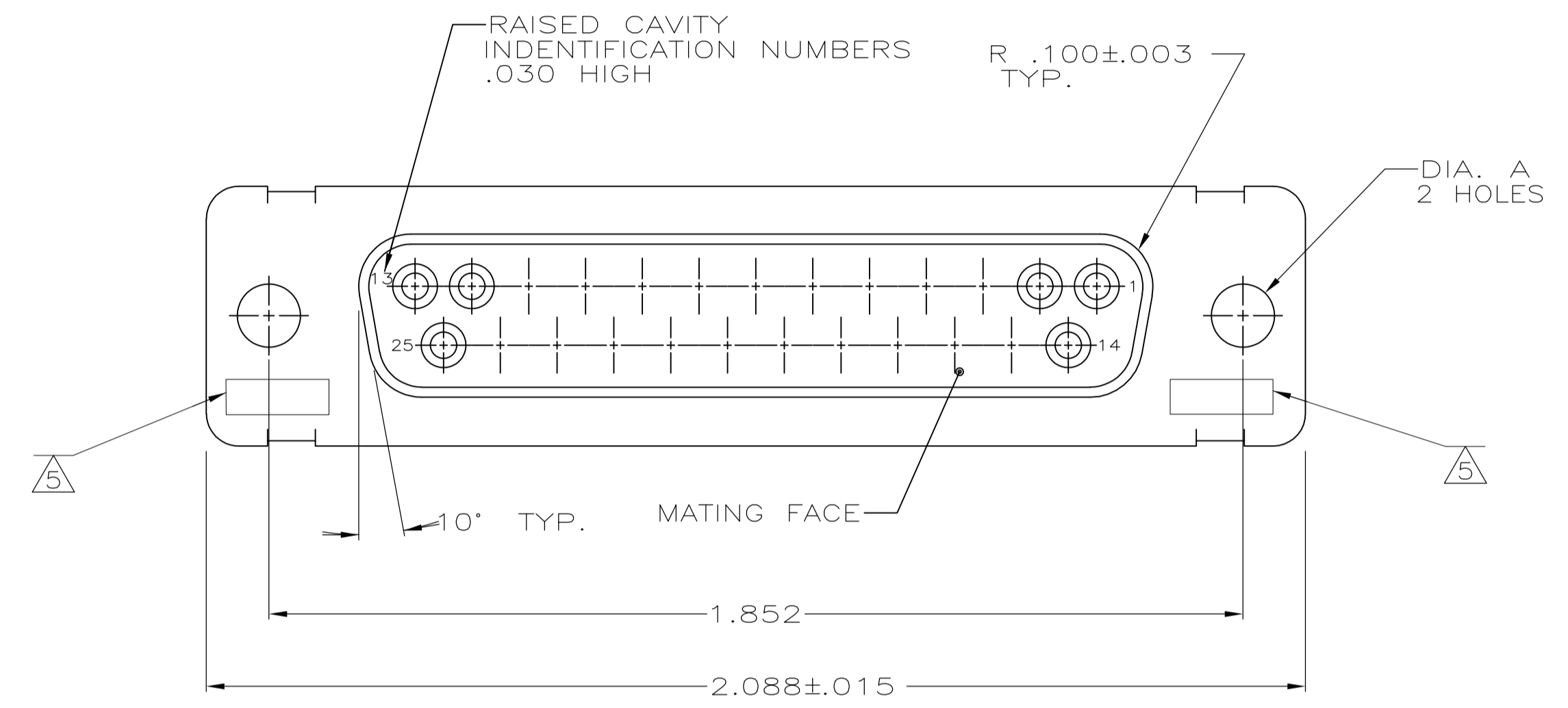
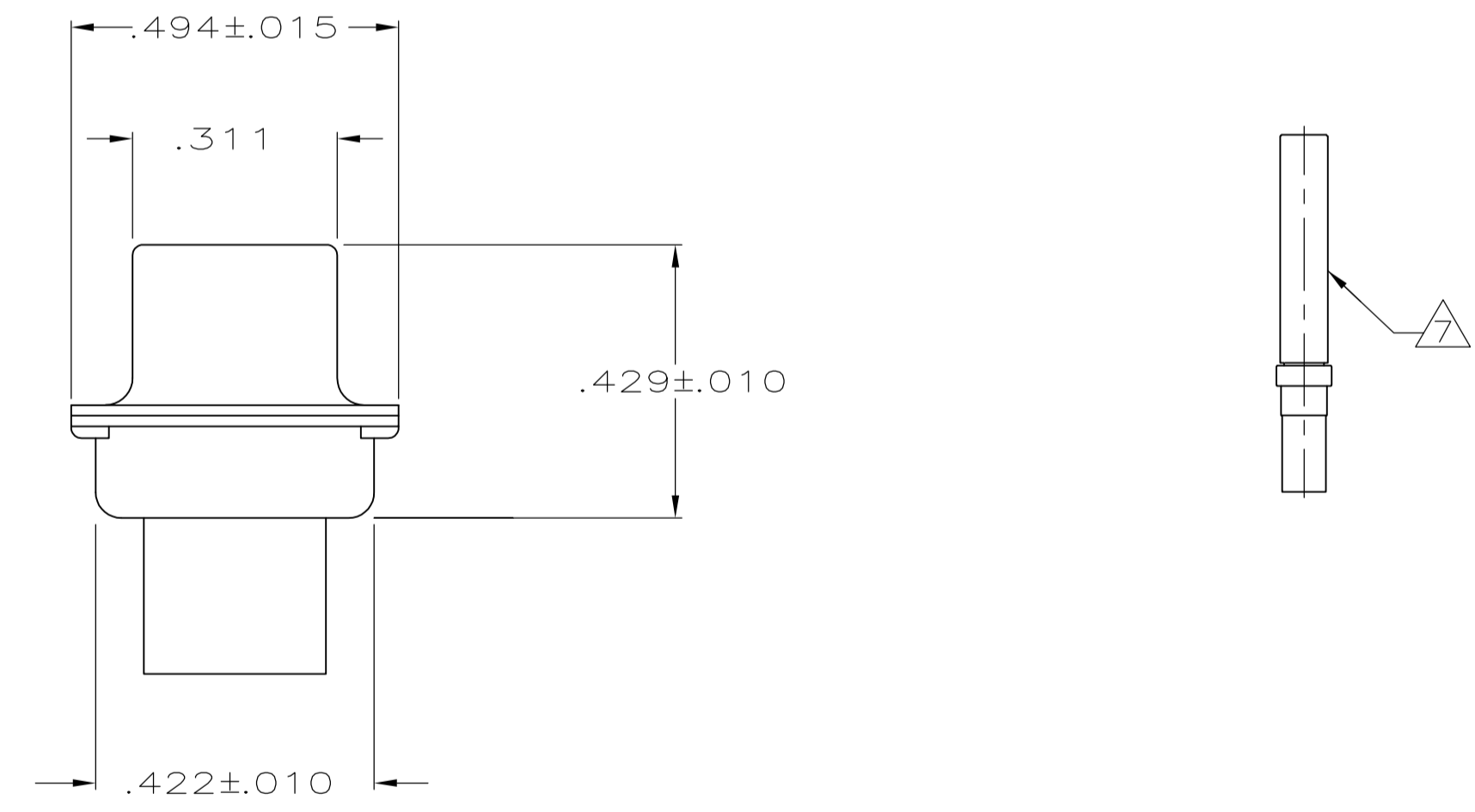
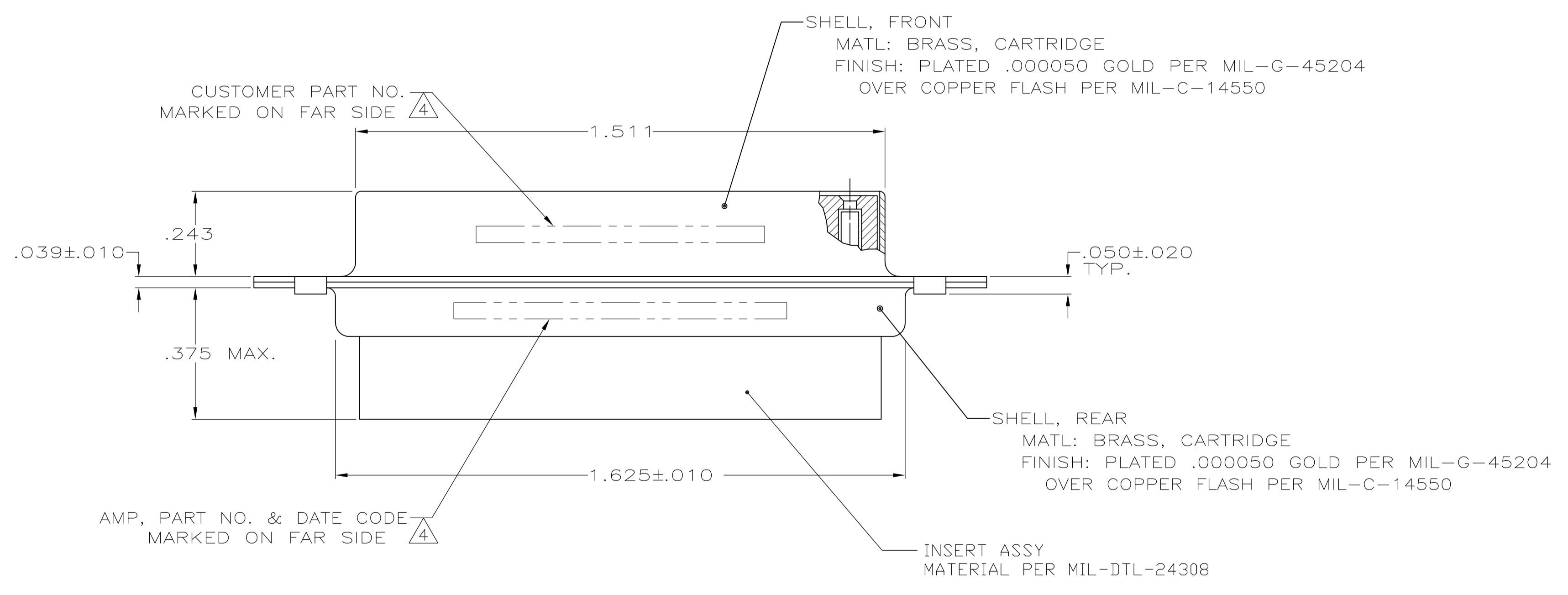


| LOC |     | DIST                  |         | REVISIONS |      |  |  |
|-----|-----|-----------------------|---------|-----------|------|--|--|
| P   | LTR | DESCRIPTION           | DATE    | DNW       | APVD |  |  |
| R   |     | REV PER ECO 15-016064 | 11-9-15 | CT        | CD   |  |  |



1. THIS RECEPTACLE WILL MATE WITH ANY PLUG CONNECTOR WITH THE SAME INSERT ARRANGEMENT AS DEFINED BY MS18275-1.
  2. MAXIMUM WIRE INSULATION USED WITH THIS RCPT. IS .072 DIA. MAX.
  3. Be-Cu RETENTION CLIPS ARE INCLUDED IN INSERTS.
- ⚠️ 4. FAR SIDE REFERS TO WIDE SIDE OF KEYSTONE.
  - ⚠️ 5. UL/CSA DESIGNATION STAMPED IN THIS AREA, OPTIONAL
  - ⚠️ 6. THESE CONNECTORS ARE QUALIFIED TO GODDARD SPACE FLIGHT CENTER SPECIFICATION S-311-P-4.
  - ⚠️ 7. CONNECTOR SUPPLIED WITH CONTACTS, AMP PART NUMBER 206793-1; (NOT INSTALLED).



|          |       |                   |                  |          |
|----------|-------|-------------------|------------------|----------|
| OBSOLETE | ⚠️    | .120              | LMSC 1621480-003 | 206801-8 |
|          |       | .120              | LMSC 1621480-003 | 206801-7 |
|          |       | .120              | 2A014-008V-001   | 206801-4 |
|          |       | .154              |                  | 206801-3 |
|          | ⚠️    | .120              | 311P409-3S-B-12  | 206801-2 |
|          | .154  | 311P409-3S-B-15   | 206801-1         |          |
| REMARKS  | DIA A | MARK CUSTOMER P/N |                  | AMP P/N  |

THIS DRAWING IS A CONTROLLED DOCUMENT.

DIMENSIONS: INCHES  
 TOLERANCES UNLESS OTHERWISE SPECIFIED:  
 0 PLC ± -  
 1 PLC ± -  
 2 PLC ± -  
 3 PLC ± .005  
 4 PLC ± -  
 ANGLES ± -

MATERIAL: SEE CALLOUTS  
 FINISH: SEE CALLOUTS  
 WEIGHT: -  
 CUSTOMER DRAWING

DIN: M. CLOUSER 1-3-89  
 CHK: T. CANTLIN 1-24-89  
 APVD: -  
 NAME: -  
 PRODUCT SPEC: -  
 APPLICATION SPEC: -  
 SIZE: A1  
 CAGE CODE: 00779  
 DRAWING NO: 206801  
 RESTRICTED TO: -  
 SCALE: 4:1  
 SHEET: 1 OF 1  
 REV: R

**STE** TE Connectivity  
 RECEPTACLE FOR SOCKET CONTACTS,  
 SIZE #3, 25 POS. (NON-MAGNETIC)

## X-ON Electronics

Largest Supplier of Electrical and Electronic Components

*Click to view similar products for [D-Sub MIL Spec Connectors](#) category:*

*Click to view products by [TE Connectivity](#) manufacturer:*

Other Similar products are found below :

[M85049/50-5F](#) [MDM-21PH046F](#) [850-056-0812](#) [1218697-4](#) [1484349-1](#) [17D25HV](#) [1996840-1](#) [243082-15](#) [1757682-1](#) [17D-E51218-1](#)  
[17SDA15S](#) [1883533-1](#) [1883886-1](#) [1883889-1](#) [192900-0377](#) [M24308/8-347](#) [M83513/03-E09C](#) [443961-3](#) [MDM-21PH041F](#) [MDM-](#)  
[21PH048F](#) [5-1218949-1](#) [550-031NF1R6K](#) [3-1236089-2](#) [550E001NF1R3J0L](#) [550T001NF1R6K0L](#) [557T283NF5B08](#) [DB121073-56](#)  
[DC121073157](#) [443869-3](#) [443869-4](#) [443869-5](#) [550S004NF1R1B0F03](#) [557E283NF1A06](#) [527-019NF0303R2K1F](#) [5-446405-1](#) [550-](#)  
[031NF1R2E](#) [550E003M2R9J0F04](#) [550E003M3R9J0F05](#) [550E024M104R9J0](#) [550E024NF102R3J0B](#) [550E039NF1R3J1-02](#)  
[550S003M3R9B0F05](#) [550S004M4R7M0F04](#) [550S004NF1R1B1F02](#) [550S008M3F0K0F04](#) [550S086M5R3J0L](#) [550S100NF3F0E](#)  
[550T001M2R7E0L](#) [550T001NF1F0B1L](#) [550T001NF1R1K0G](#)