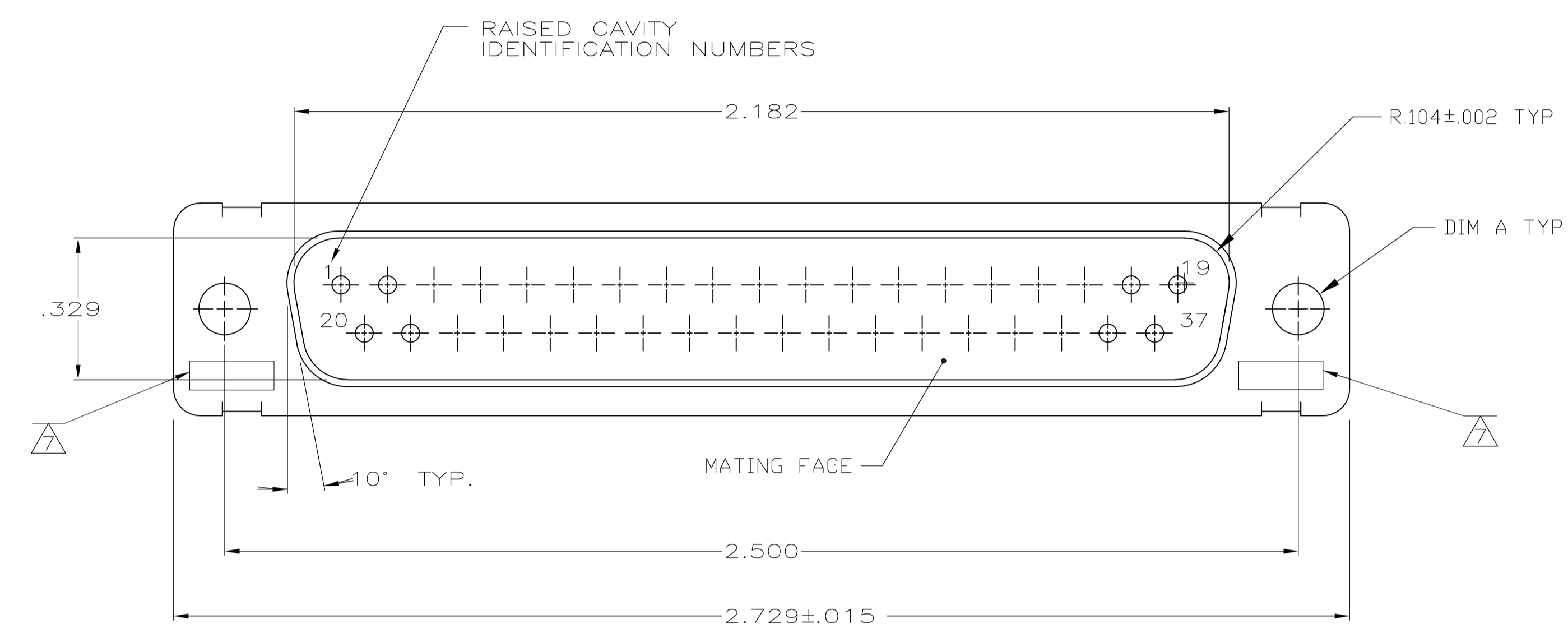
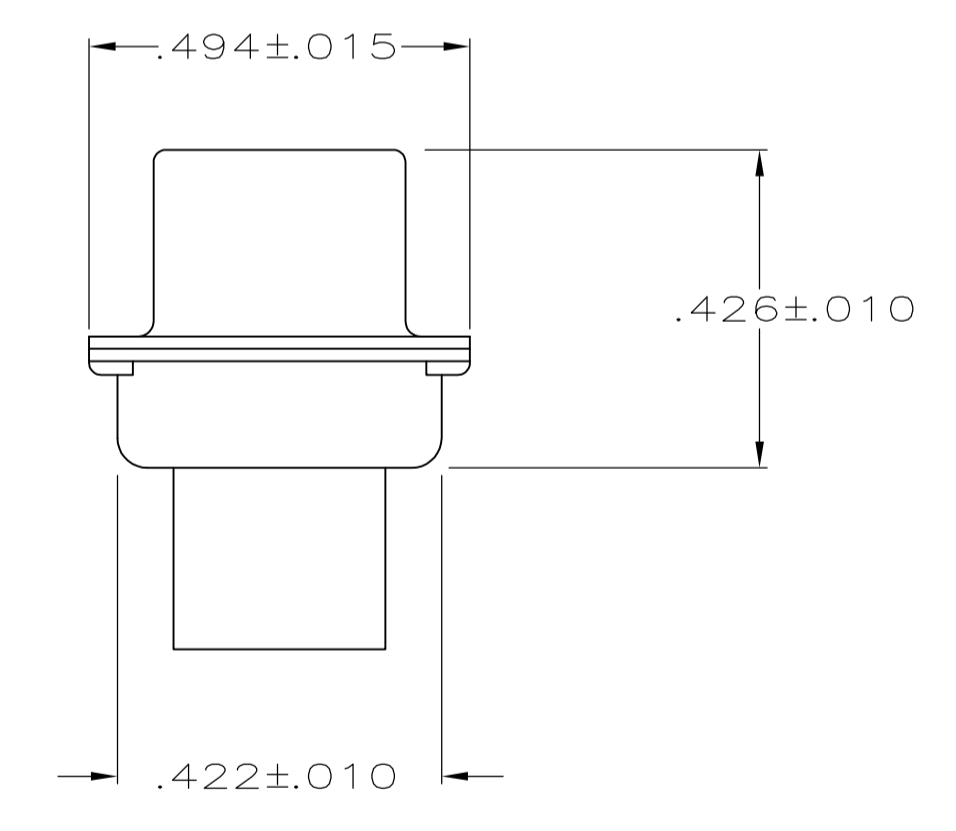
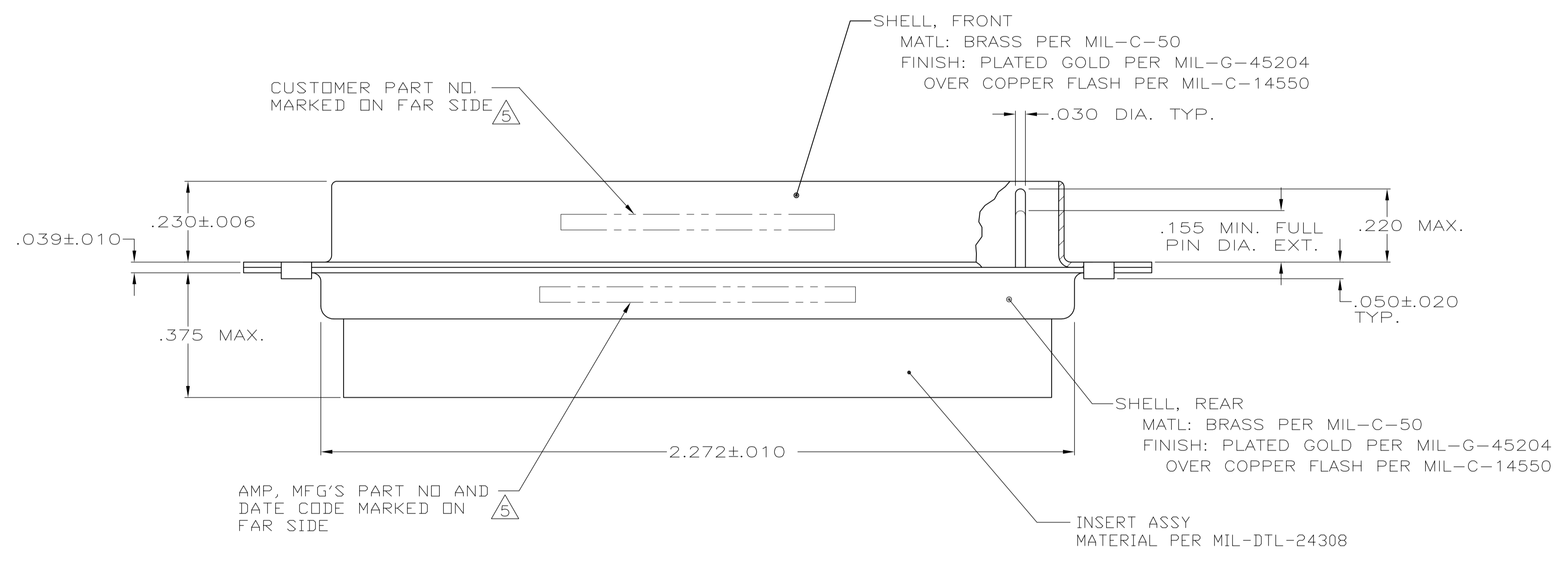


LOC		DIST		REVISIONS			
P	LTR	DESCRIPTION	DATE	DN	APVD		
N	REV PER ECO	15-016064	11-9-15	CT	CD		



- ⚠ THIS PLUG WILL MATE WITH ANY RECEPTACLE CONNECTOR WITH THE SAME INSERT ARRANGEMENT AS DEFINED BY MS18275-1.
- 2. MAXIMUM WIRE INSULATION TO BE USED WITH THIS PLUG IS .072 DIA.
- 3. BERYLLIUM COPPER RETENTION CLIPS (37) ARE INCLUDED IN INSERT ASSEMBLY.
- 4. CONNECTOR SUPPLIED WITHOUT CONTACTS; SHOWN FOR ILLUSTRATION ONLY.
- ⚠ FAR SIDE REFERS TO WIDE SIDE OF KEYSTONE.
- ⚠ THESE CONNECTORS ARE QUALIFIED TO GODDARD SPACE FLIGHT CENTER SPECIFICATION S-311-P-4.
- ⚠ UL/CSA DESIGNATION STAMPED IN THIS AREA, OPTIONAL.
- ⚠ RESTRICTED TO CAE ELECTRONICS ONLY.



REMARKS	DIA A	MARKED CUSTOMER P/N	MARKED AMP P/N	TE P/N
⚠	.120	570513-9	206802-6	206802-6
⚠	.120	311P409-4P-B-12	206802-2	206802-5
⚠	.120	122137P37P	206802-4	206802-4
⚠	.154	-	206802-3	206802-3
⚠	.120	311P409-4P-B-12	206802-2	206802-2
⚠	.154	311P409-4P-B-15	206802-1	206802-1

THIS DRAWING IS A CONTROLLED DOCUMENT.

DIMENSIONS: INCHES. TOLERANCES UNLESS OTHERWISE SPECIFIED:

0. PLC	± .005
1. PLC	± .005
2. PLC	± .005
3. PLC	± .005
4. PLC	± .005
ANGLES	± .005

MATERIAL: SEE CALLOUTS. FINISH: SEE CALLOUTS.

WEIGHT: —. SIZE: A1. CAGE CODE: 00779. DRAWING NO: 206802. CUSTOMER DRAWING.

DIN: T. WIEST 12-9-88. CHK: F. BALLEW 1-26-88. NAME: F. BALLEW. PRODUCT SPEC: —. APPLICATION SPEC: —. RESTRICTED TO: —.

SCALE: 4:1. SHEET: 1 OF 1. REV: N.

STE TE Connectivity

PLUG FOR PIN CONTACTS

SIZE 4, (37 POSITION)

X-ON Electronics

Largest Supplier of Electrical and Electronic Components

Click to view similar products for [D-Sub MIL Spec Connectors](#) category:

Click to view products by [TE Connectivity](#) manufacturer:

Other Similar products are found below :

[M85049/50-5F](#) [D38999/24WG11PB-LC](#) [MDM-9SH006A](#) [1218697-4](#) [D38999/26WJ61PC L/C](#) [1484349-1](#) [17D25HV](#) [1996840-1](#) [243082-15](#)
[1757682-1](#) [17D-E51218-1](#) [17SDA15S](#) [1883533-1](#) [1883886-1](#) [1883889-1](#) [192900-0377](#) [M24308/8-347](#) [M83513/03-E09C](#) [443961-3](#) [5-](#)
[1218949-1](#) [550-031NF1R6K](#) [3-1236089-2](#) [550E001NF1R3J0L](#) [550T001NF1R6K0L](#) [557T283NF5B08](#) [DB121073-56](#) [DC121073157](#)
[443869-3](#) [443869-4](#) [443869-5](#) [550S004NF1R1B0F03](#) [557E283NF1A06](#) [527-019NF0303R2K1F](#) [5-446405-1](#) [550-031NF1R2E](#)
[550E003M2R9J0F04](#) [550E003M3R9J0F05](#) [550E024M104R9J0](#) [550E024NF102R3J0B](#) [550E039NF1R3J1-02](#) [550S003M3R9B0F05](#)
[550S004M4R7M0F04](#) [550S004NF1R1B1F02](#) [550S008M3F0K0F04](#) [550S086M5R3J0L](#) [550S100NF3F0E](#) [550T001M2R7E0L](#)
[550T001NF1F0B1L](#) [550T001NF1R1K0G](#) [550T001NF1R3K0G](#)